



Pool Power Pak® II

UL/CSA Models with Strainer Assembly-

0-1084-200, 0-1085-200, 0-1086-200, 0-1087-200, 0-1088-200

NEC/UL Models with Strainer Assembly-

0-1084-206, 0-1085-206, 0-1086-206, 0-1087-206, 0-1088-206

Owner's Guide



Certified by the
Canadian Standards Association



PREPARATION

IMPORTANT SAFETY INSTRUCTIONS

FOR ALL MODELS:

When installing and using this electrical equipment, basic safety precautions should always be followed, including the following:

1. **READ AND FOLLOW ALL INSTRUCTIONS.**
2. **WARNING:** To reduce the risk of injury, do not permit children to use this product unless they are closely supervised at all times.
3. **WARNING:** Risk of electric shock. Connect only to a grounding type receptacle protected by a Ground Fault Interrupter (GFCI). Contact a qualified electrician if you cannot verify that the receptacle is protected by a GFCI.
4. Do not bury cord. Locate cord to minimize abuse from lawn mowers, hedge trimmers, and other equipment.
5. **WARNING:** To reduce the risk of electric shock, replace damaged cord immediately.
6. **WARNING:** To reduce the risk of electric shock, do not use an extension cord to connect unit to the electrical supply; provide a properly located outlet.

FOR UL/CSA MODELS:

0-1084-200, 0-1085-200,
0-1086-200, 0-1087-200, 0-1088-200

7. **CAUTION:** This pump is for use with storable pools only. Do not use with permanently installed pools. A storable pool is constructed so it may be readily disassembled for storage and reassembled to its original integrity. A permanently installed pool is constructed in or on the ground or in a building such that it cannot be readily disassembled for storage.

FOR NEC/UL MODELS ONLY:

0-1084-206, 0-1085-206
0-1086-206, 0-1087-206, 0-1088-206

8. **CAUTION:** This pump is for use with permanently installed pools and may also be used with hot tubs and spas if so marked. Do not use with storable pools. A permanently installed pool is constructed in or on the ground or in a building such that it cannot be readily disassembled for storage. A storable pool is constructed so that it may be readily disassembled for storage and reassembled to its original integrity.

FOR ALL MODELS:

9. SAVE THESE INSTRUCTIONS.

ELECTRICAL SOURCE

FOR UL/CSA MODELS:

0-1084-200, 0-1085-200,
0-1086-200, 0-1087-200, 0-1088-200

Your pump is supplied with a 25 foot, 3-wire electrical cord and a 3-pronged plug. The pump is double insulated and grounded. The pump electrical cord must be connected to a grounded, 3-wire, 115 VAC electrical receptacle.

The pump should be connected to a receptacle on a dedicated circuit protected by a 20 AMP circuit breaker.

DO NOT use a grounding adaptor.

The receptacle must be protected by a Ground Fault Circuit Interrupter (GFCI) in accordance with Article 680-31 of the National Electrical Code (NEC), (Section 68-204 of the Canadian Electrical Code (CSA) and local codes or ordinances. For runs greater than 25 feet, consult your local licensed electrical contractor.

FOR NEC/UL MODELS ONLY:

0-1084-206, 0-1085-206
0-1086-206, 0-1087-206, 0-1088-206

Your pump is supplied with a 3-foot, 3-wire electrical cord and a 3-prong flanged, twist-lock plug.

The pump electrical cord must be connected to a single twist lock, grounding type receptacle that is located a minimum of 5 feet from the inside pool wall.

A qualified electrical contractor must install this receptacle in accordance with Article 680-6 of the National Electrical Code (NEC). A Ground Fault Interrupter (GFCI) must be used. An ON/OFF Switch must be installed at the receptacle.

Use a Hubbell No. 2310 Receptacle, 20 AMP 125 Volt A.C. or an equivalent receptacle that meets NEMA Configuration L5-20R.

This pump is double insulated and grounded. Dead metal parts are not in contact with pool water.

CAUTION

1. DO NOT install the pump on a deck, it could fall into the water, causing severe electrical shock. Do not install on any surface at, above, or slightly below the top rail of the pool.
2. DO NOT allow children or adults to climb, sit, or stand on the pump unit. They could easily fall. Position the filter and pump approximately 4 feet from the pool wall so they may not be used as steps by children.
3. Always keep the water level in your pool between the water level markers on the skimmer face plate. If the pump is run with water level too low, the pump seal may overheat and cause permanent damage to the pump.
4. Your Pool Power Pak must sit either in an optional filter/pump base, on a patio block, or on any firm surface that slightly elevates the pump off the ground. This keeps water away from the motor and prevents the vents of the Power Pak from becoming blocked, which could cause the motor to overheat.

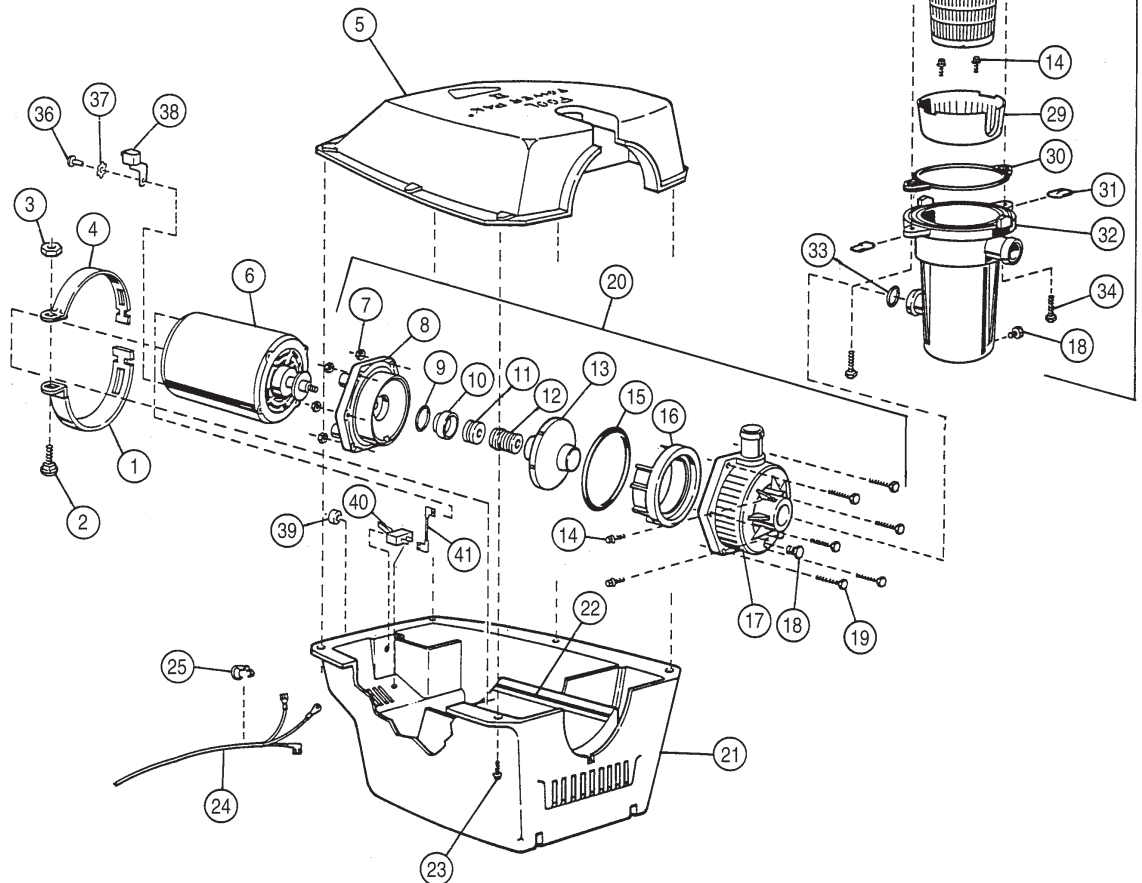
POOL POWER PAK II® UL/CSA/NEC EXPLODED VIEW

UL/CSA Models With Strainer Assembly:

0-1084-200, 0-1085-200, 0-1086-200, 0-1087-200, 0-1088-200

NEC/UL Models With Strainer Assembly:

0-1084-206, 0-1085-206, 0-1086-206, 0-1087-206, 0-1088-206



ITEM	P/N	QTY	DESCRIPTION	ITEM	P/N	QTY	DESCRIPTION
1	341-1123	1	Insulating Sleeve	20	1121-1365	1	1-1/2 HP Pump Assembly (Models 1087 & 1088)
2	324-1018	1	1/4"-20 x 1" Bolt	21	1150-1000	1	Bottom Housing (UL/CSA)
3	321-1004	1	1/4"-20 Hex Nut	22	1150-1005	1	Bottom Housing (NEC/UL)
4	385-1152	2	Motor Clamp	23	348-1026	2	Rubber Strip
5	1107-1114	1	Top Housing	24	330-1023	6	#8 x 5/8" Screw
6	300-1026	1	Motor-1/2 HP w/Slinger	25	1100-1077	1	Power Cord (UL/CSA)
	300-1027	1	Motor-3/4 HP w/Slinger	26	1100-1108	1	Power Cord (NEC/UL)
	300-1028	1	Motor-1 HP w/Slinger	27	303-1104	1	Strain Relief Bushing (UL/CSA)
	300-1102	1	Motor-1-1/2 HP w/Slinger	28	303-1120	1	Strain Relief Bushing (NEC/UL)
	300-1109	1	Motor- 2 HP w/ Slinger	29	340-1215	2	Strainer Knob
7	321-1027	6	#10-24 Kep Nut	30	1121-1437	1	Strainer Cover w/Decal
8	1128-1026	1	Pump Backplate Assy.	31	1300-1001	1	Strainer Basket Assy.
9	308-1040	1	O-Ring, 1.29 x .013 Wall	32	340-1216	1	Anti-Syphon Rotor
10	305-1020	1	Insulator, Ceramic Mating Ring	33	308-1167	1	Strainer Gasket
11	1128-1030	1	Ceramic Mating Ring & O-Ring Assembly	34	376-1011	2	Clip Strainer Body Bolt
	306-1006	1	Shaft Seal, 5/8" Diameter	35	340-1213	1	Strainer Body
	1107-1387	1	Impeller Assembly, 1/2 HP	36	308-1046	1	O-Ring, 1.609 x .139 Wall
	1107-1388	1	Impeller Assembly, 3/4 & 1HP	37	324-1004	2	3/8"-16 x 1 1/2" Bolt
	1107-1547	1	Impeller Assembly, 1-1/2 & 2 HP	38	1300-1013	1	Strainer Assembly
14	330-1027	4	#8 x 1/2" Screw	39	330-1131	1	#10x3/8 Tapping Screw NEC/UL
15	308-1099	1	O-Ring, 5.734 x .139 Wall	40	526-1003	1	#10 Lock Washer NEC/UL
16	340-1812	1	Pump Volute	41	303-1103	1	Solderless Lug NEC/UL
17	340-1813	1	Pump Housing (Models 1084, 1085, 1086, 1087 & 1088)	42	303-1110	1	Knurled Ring Nut-UL/CSA only
18	340-1218	2	1/4" Pipe Plug	43	303-1109	1	Switch - UL/CSA only
19	330-1050	6	#10-24 x 1 1/4" Screw	44	1100-1078	1	Switch Wire Assy-UL/CSA only
20	1121-1364	1	1/2 HP Pump Assembly (Model 1084)	45	365-1766	1	Owner's Guide - All models
	1121-1365	1	3/4 & 1 HP Pump Assembly (Models 1085 & 1086)	46	—	1	Warranty Card - All models

STRAINER ASSEMBLY INSTALLATION FOR MODELS:

0-1084-200, 0-1085-200, 0-1086-200, 0-1087-200,
0-1088-200
0-1084-206, 0-1085-206, 0-1086-206, 0-1087-206,
0-1088-206

Press down on the strainer cover while loosening the two strainer knobs just enough to rotate the cover counter-clockwise until it stops. Lift off the cover. Inside the basket you will find assembly screws and instructions for assembling the Strainer to the Power Pak II.

Take care to prevent cross threading. Do not over-tighten. The strainer should be snug and in an upright position when assembled. To replace cover, press down and rotate clockwise until slots in cover are completely under knobs. Tighten knobs until cover is fully seated.

MAINTENANCE

Make sure the pump is disconnected from the electrical source before attempting any maintenance work.

LUBRICATION

Periodically lubricate the O-Ring under the strainer cover with a NON-PETROLEUM lubricant recommended for A.B.S., Noryl and Acrylic plastics. Consult your pool dealer for lubricant selections.

If you have any questions or require assistance, contact your Doughboy pool dealer.

SERVICING SAFETY TIPS

- A. **ALWAYS TURN "OFF"** the main power switch and the Ground Fault Circuit Interrupter (GFCI) breaker switch so power is completely off before servicing your unit.
- B. **ALWAYS BE SURE THE GROUND UNDER YOUR FEET AND YOUR BODY IS DRY** before you touch electrical equipment. Failure to heed this warning may cause personal injury due to severe electrical shock.
- C. **ALWAYS** have a qualified electrician service your system if electrical problems occur. This system is UL listed and must be serviced by a qualified electrician to insure that the electrical integrity is maintained. Failure to do so may cause personal injury due to severe electrical shock and may void the UL listing and warranty.
- D. **ALWAYS** have a qualified electrician install a Ground Fault Circuit Interrupter (GFCI) breaker at the electrical service or supply panel. Follow GFCI manufacturer's operating instructions for testing. Failure to do so may cause personal injury due to severe electrical shock.

CAUTION: To reduce the risk of electrical shock, connect only to grounding type receptacles. A Ground Fault Circuit Interrupter (GFCI) must be provided in accordance with local codes or ordinances.

CAUTION: To reduce the risk of electrical shock, use only Original Equipment Manufactured (OEM) replacement parts when servicing.



Change of Design: Doughboy Recreational expressly reserves the right to change or modify the design and construction of any product in due course of our manufacturing procedures, without incurring any obligation or liability to furnish or install such changes or modifications on products previously or subsequently sold.

"the original portable pool"

doughboy®

DOUGHBOY RECREATIONAL • 10959 Jersey Blvd., • Rancho Cucamonga, CA 91730
DB1097-017

Made in the United States of America

Copyright © 1997