

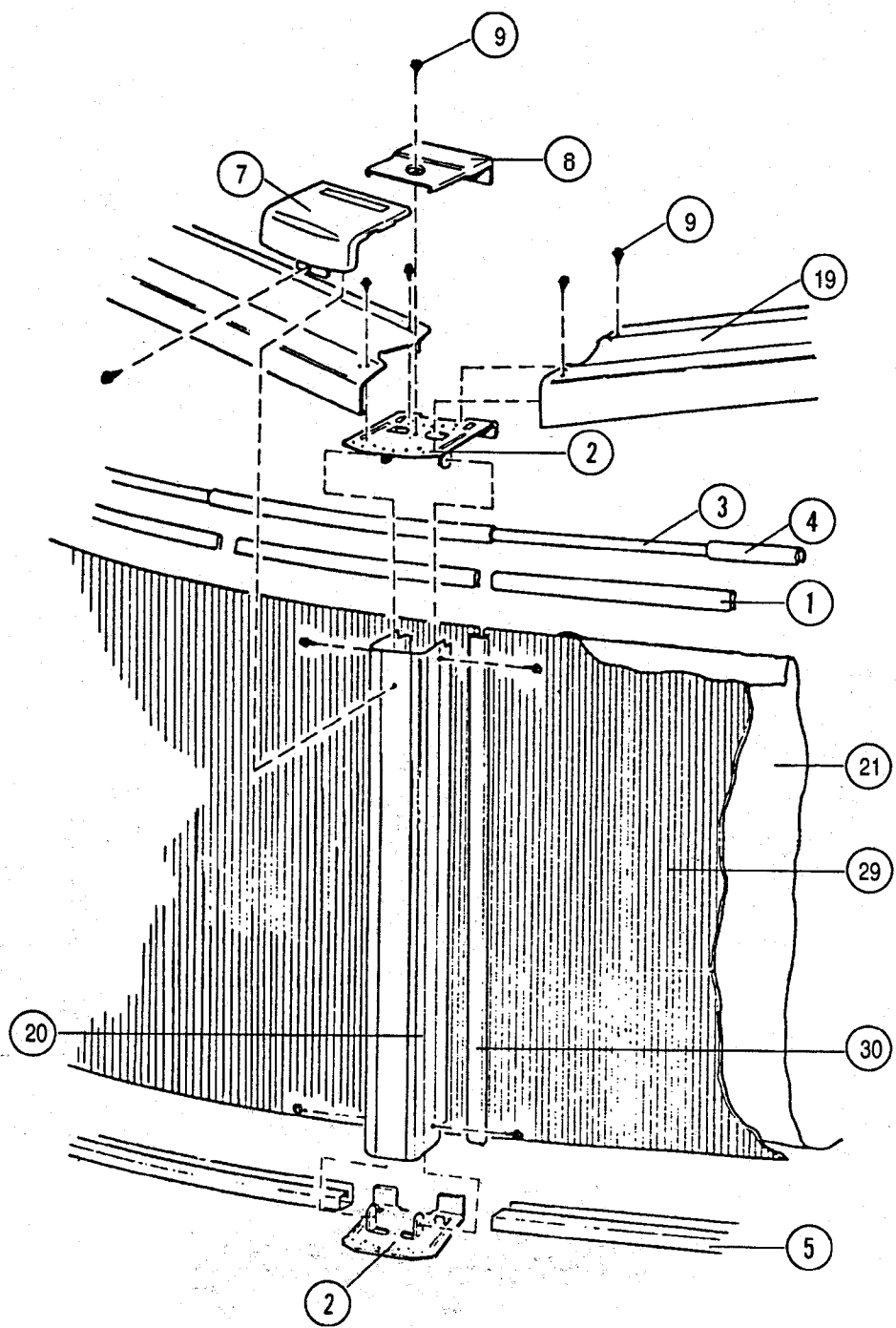
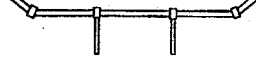
"the original portable pool"

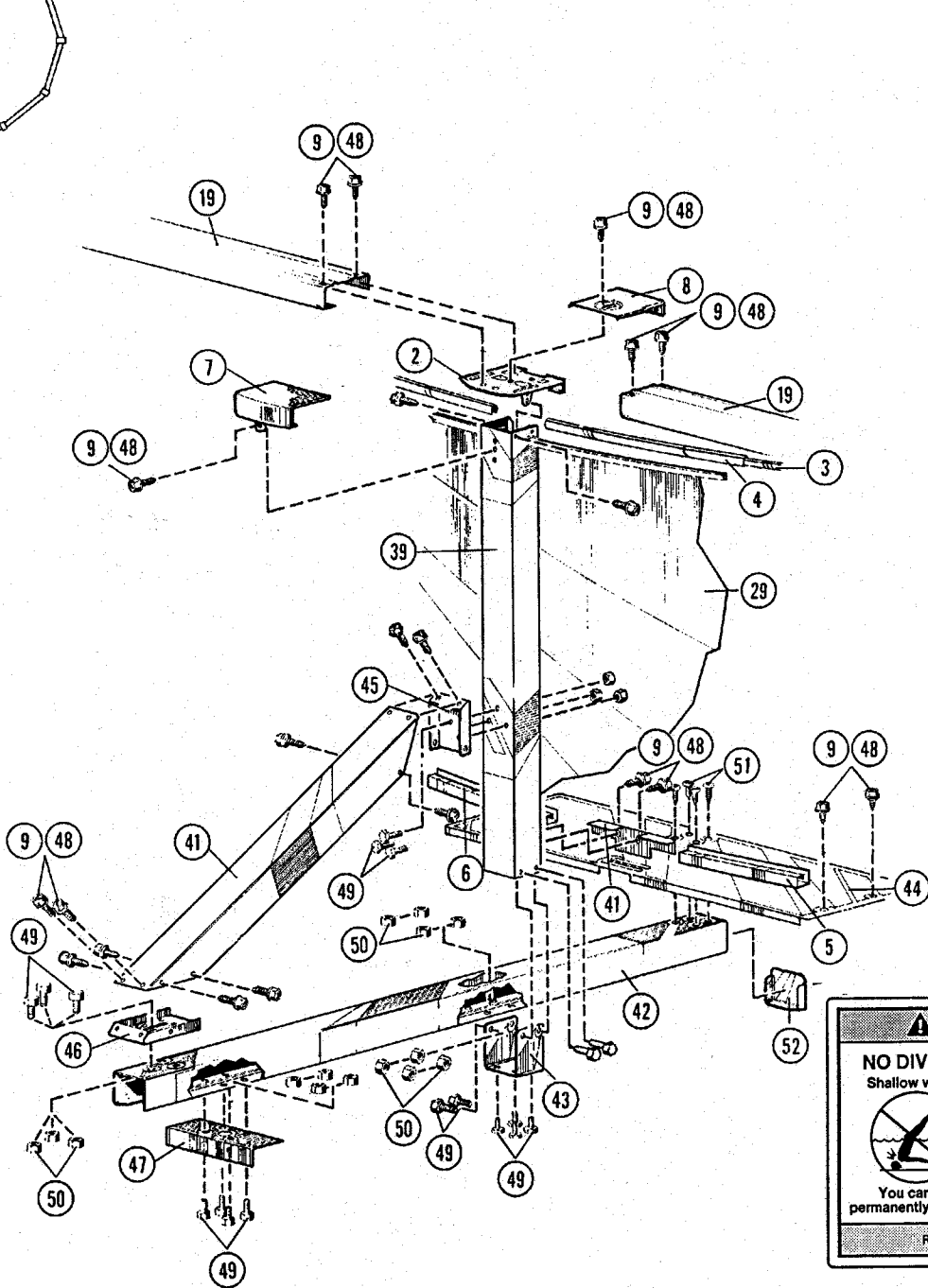
**doughboy®**

**Wedgewood II**

**Buttress Oval Pool**

---





**⚠ WARNING**

**NO DIVING!**  
Shallow water.

You can be permanently injured.

RESCUE:

# Wedgewood II Buttress Oval Pool — Parts List

ITEM #	DESCRIPTION	20' x 12' x 48"		24' x 12' x 48"		28' x 12' x 48"		32' x 12' x 48"	
		PART #	QTY.	PART #	QTY.	PART #	QTY.	PART #	QTY.
	<b>ASSEMBLY PACK</b>	0-9902-401	1	0-9942-401	1	0-9910-401	1	0-9922-401	1
1.	Plastic Coping, 24"	545-1001	28	545-1001	31	545-1001	35	545-1001	39
2.	Vertical End Cap	580-1594	24	580-1594	26	580-1594	28	580-1594	30
3.	Stabilizer Rail, small dia.	583-1012	8	583-1012	8	583-1012	8	583-1012	8
4.	Stabilizer Rail, large dia.	583-1011	10	583-1011	12	583-1011	14	583-1011	16
5.	Bottom Rail (Stamped 12)	589-1046	12	589-1046	12	589-1046	12	589-1046	12
6.	Bottom Rail, side (Stamped S)	589-1052	2	589-1052	4	589-1052	6	589-1052	8
7.	4" Outer Connector	580-1544	14	580-1544	16	580-1544	18	580-1544	20
8.	Inner Connector	5186-1184	14	5186-1184	16	5186-1184	18	5186-1184	20
*9.	Sheet Metal Screw #10 x 3/8" Hexwasher Head, Type AB	510-1000	100	510-1000	100	510-1000	100	510-1000	100
10.	Pool Parts List	573-2492	1	573-2492	1	573-2492	1	573-2492	1
11.	Pool Installation Instructions	573-2479	1	573-2479	1	573-2479	1	573-2479	1
12.	"Read Me First" Booklet	573-2417	1	573-2417	1	573-2417	1	573-2417	1
13.	"Enjoy Your Pool" Booklet	573-2124	1	573-2124	1	573-2124	1	573-2124	1
14.	"Safety First" Booklet	573-2528	1	573-2528	1	573-2528	1	573-2528	1
15.	"Children Aren't . . ." Brochure	573-2338	1	573-2338	1	573-2338	1	573-2338	1
16.	"Pool & Spa . . ." Brochure	573-2393	1	573-2393	1	573-2393	1	573-2393	1
17.	Warranty Card - Metal		1		1		1		1
18.	Product Registration Card	565-1117	1	565-1117	1	565-1117	1	565-1117	1
	<b>TOP RAIL PACK</b>	0-9841-401	1	0-9861-401	1	0-9881-401	1	0-9801-401	2
19.	Top Rail	587-1193	14	587-1193	16	587-1193	18	587-1193	20
	<b>VERTICAL PACK</b>	0-9710-401	1	0-9710-401	1	0-9710-401	1	0-9710-401	1
20.	Vertical	580-1516	10	580-1516	10	580-1516	10	580-1516	10
	<b>POOL LINER CARTON</b>								
***21.	Pool Liner	0-2012-	1	0-2412-	1	0-2812-	1	0-3212-	1
22.	Chlorine/Winterizing Instructions	573-2421	1	573-2421	1	573-2421	1	573-2421	1
23.	"Warning" Decal	560-1041	3	560-1041	3	560-1041	3	560-1041	3
24.	Warranty Card - Liner		1		1		1		1
**25.	Repair Patch	564-1000	1	564-1000	1	564-1000	1	564-1000	1
26.	"Deeper Area" Decal	560-1042	2	560-1042	2	560-1042	2	560-1042	2
27.	"Shallow" Decal	560-1043	3	560-1043	3	560-1043	3	560-1043	3
28.	"Read Me First" Booklet	573-2417	1	573-2417	1	573-2417	1	573-2417	1
	<b>SIDEWALL CARTON</b>								
29.	Sidewall	0-6108-002	1	0-6108-042	1	0-6108-010	1	0-6108-022	2
30.	Joint Piece	580-1002	1	580-1002	1	580-1002	1	580-1002	2
31.	Large Cover Plate	580-1524	1	580-1524	1	580-1524	1	580-1524	2
32.	Small Cover Plate	580-1518	1	580-1518	1	580-1518	1	580-1518	2
33.	Warranty Card - Metal		1		1		1		2
34.	"Warning" Sign	560-1046	1	560-1046	1	560-1046	1	560-1046	2
35.	"Read Me First" Booklet	573-2417	1	573-2417	1	573-2417	1	573-2417	2
36.	Black Marking Pen	332-1079	1	332-1079	1	332-1079	1	332-1079	2
37.	Adhesive Squares	310-1034	6	310-1034	6	310-1034	6	310-1034	12
38.	Safety Video	573-2500	1	573-2500	1	573-2500	1	573-2500	2
	<b>SUPPORT PACK 4 — CARTON</b>	0-8888-044	1			0-8888-044	2	0-8888-044	1
	<b>SUPPORT PACK 6 — CARTON</b>			0-8888-046	1			0-8888-046	1
39.	Side Vertical	580-1612	4	580-1612	6	580-1612	8	580-1612	10
40.	Vertical Brace	580-1523	4	580-1523	6	580-1523	8	580-1523	10
41.	Bottom Rail Connector	580-1593	4	580-1593	6	580-1593	8	580-1593	10
42.	Horizontal Support	580-1275	4	580-1275	6	580-1275	8	580-1275	10
43.	Support Bracket	580-1136	4	580-1136	6	580-1136	8	580-1136	10
44.	Pressure Pad	580-1273	4	580-1273	6	580-1273	8	580-1273	10
45.	Brace, Connector — short	580-1521	4	580-1521	6	580-1521	8	580-1521	10
46.	Brace, Connector — long	580-1051	4	580-1051	6	580-1051	8	580-1051	10
47.	Skid Plate	580-1063	4	580-1063	6	580-1063	8	580-1063	10
*48.	Sheet Metal Screw, #10 x 3/8", Type AB	510-1000	92	510-1000	138	510-1000	184	510-1000	230
*49.	High Strength Bolt 1/4"-20 x 1/2", hex head	510-1018	72	510-1018	108	510-1018	144	510-1018	180
*50.	Hex Nut, 1/4-20	511-1000	72	511-1000	108	511-1000	144	511-1000	180
*51.	Hex Washer/Sheet Metal Screw, #12 x 3/4"	510-1035	16	510-1035	24	510-1035	32	510-1035	40
52.	Horizontal End Cap	580-1412	4	580-1412	6	580-1412	8	580-1412	10

\*Screws are available in most hardware stores.

\*\*For additional patch kits order Part No. 0-5604-000.

\*\*\*Write the number of your liner in the spaces provided here and above. # \_\_\_\_\_