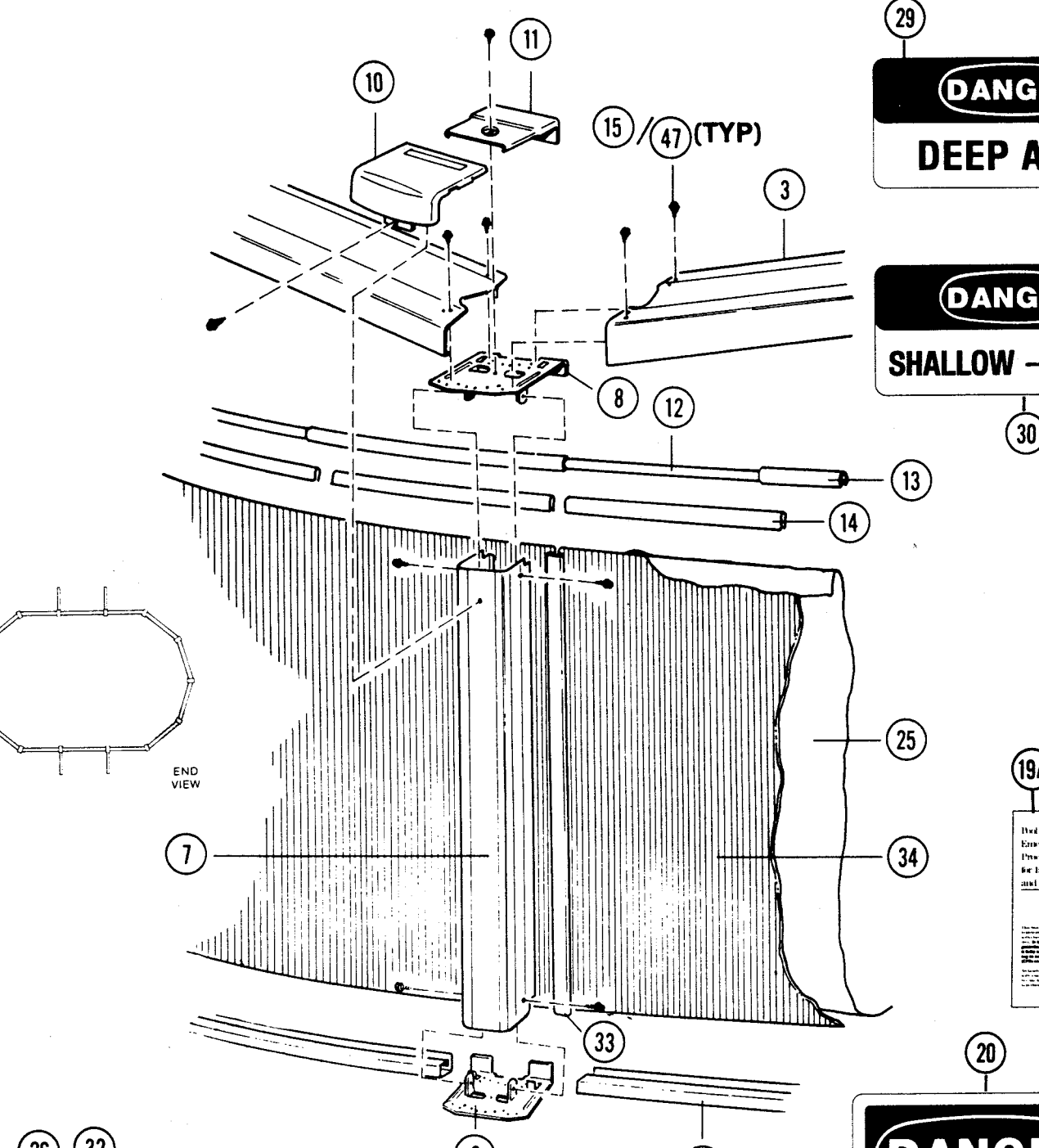


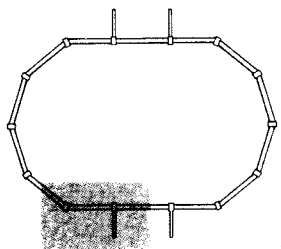
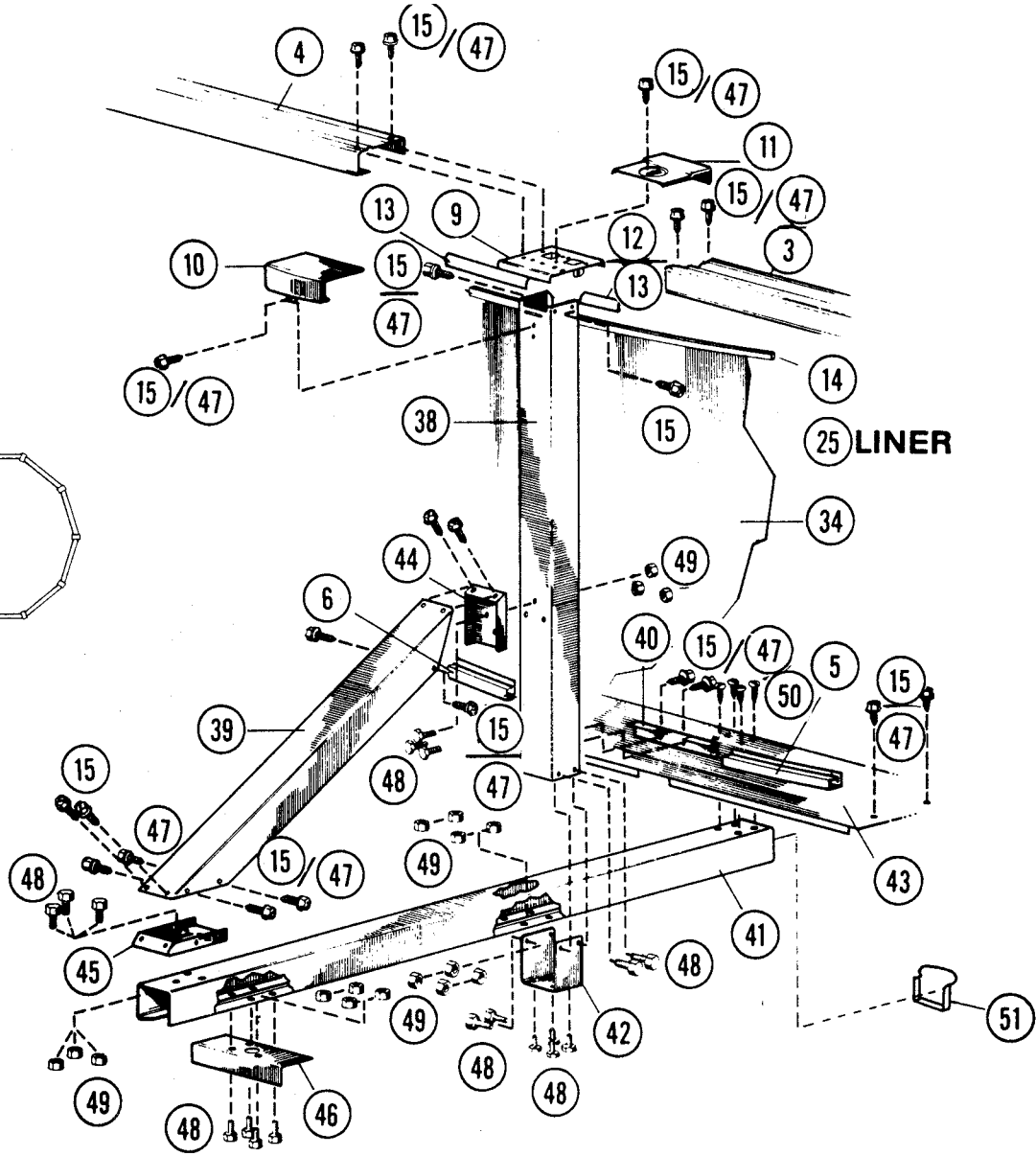
"the original portable pool"
doughboy®

Wedgewood

Buttress Oval Pool

Parts List





SIDE VIEW

PARTS LIST

ITEM #	DESCRIPTION	20' x 12' x 48''		24' x 12' x 48''		28' x 12' x 48''		32' x 12' x 48''	
		PART #	QTY.	PART #	QTY.	PART #	QTY.	PART #	QTY.
	FRAME PACK "A" CARTON	0-9402-001	1	0-9442-001	1	0-9410-001	1	0-9422-001	1
1.	Parts List	573-2373	1	573-2373	1	573-2373	1	573-2373	1
2.	Pool Assy./Installation Instructions	573-2368	1	573-2368	1	573-2368	1	573-2368	1
3.	Top Rail	587-1159	12	587-1159	12	587-1159	12	587-1159	12
4.	Side Top Rail	587-1158	2	587-1158	4	587-1158	6	587-1158	8
5.	Bottom Rail (Stamped 12)	589-1046	12	589-1046	12	589-1046	12	589-1046	12
6.	Bottom Rail, side (Stamped S)	589-1052	2	589-1052	4	589-1052	6	589-1052	8
7.	Vertical	580-1516	10	580-1516	10	580-1516	10	580-1516	10
8.	Vertical End Cap	580-1146	20	580-1146	20	580-1146	20	580-1146	20
9.	Side Vertical End Cap	580-1079	4	580-1079	6	580-1079	8	580-1079	10
10.	4" Outer Connector	580-1544	14	580-1544	16	580-1544	18	580-1544	20
11.	Inner Connector	5186-1154	14	5186-1154	16	5186-1154	18	5186-1154	20
12.	Stabilizer Rail, small dia.	583-1012	8	583-1012	8	583-1012	8	583-1012	8
13.	Stabilizer Rail, large dia.	583-1011	10	583-1011	12	583-1011	14	583-1011	16
14.	Plastic Coping, 24"	545-1001	28	545-1001	31	545-1001	35	545-1001	39
*15.	Sheet Metal Screw, #10 x 3/8", Type AB	510-1000	100	510-1000	100	510-1000	100	510-1000	100
16.	Booklet — Enjoy Your Pool	573-2124	1	573-2124	1	573-2124	1	573-2124	1
17.	Safety First Handbook	573-2370	1	573-2370	1	573-2370	1	573-2370	1
18.	Brochure—Night Swimming & Lighting	573-2334	1	573-2334	1	573-2334	1	573-2334	1
19.	Brochure—Children Aren't	573-2338	1	573-2338	1	573-2338	1	573-2338	1
19A.	Brochure—Pool & Spa	573-2393	1	573-2393	1	573-2393	1	573-2393	1
20.	"Danger" Sign	560-1035	1	560-1035	1	560-1035	1	560-1035	1
21.	Adhesive Square	310-1034	4	310-1034	4	310-1034	4	310-1034	4
22.	Warranty Card	565-1070	1	565-1070	1	565-1070	1	565-1070	1
23.	Product Registration Card	565-1073	1	565-1073	1	565-1073	1	565-1073	1
	POOL LINER CARTON								
24.	Chlorine/Winterizing Instructions	369-1134	1	369-1134	1	369-1134	1	369-1134	1
***25.	Pool Liner — 20 Mil (Standard)	0-2012-720	1	0-2412-720	1	0-2812-720	1	0-3212-720	1
26.	"Danger" Decals	560-1036	2	560-1036	2	560-1036	2	560-1036	2
27.	Warranty Card	565-1062	1	565-1062	1	565-1062	1	565-1062	1
**28.	Repair Patch	564-1000	1	564-1000	1	564-1000	1	564-1000	1
29.	"Danger" Deep Area Decal	560-1037	2	560-1037	2	560-1037	2	560-1037	2
30.	Danger—Shallow 3 1/2 Ft.	560-1034	4	560-1034	4	560-1034	4	560-1034	4
31.	Installation Instructions "Danger" Decals	369-1133	1	369-1133	1	369-1133	1	369-1133	1
	SIDEWALL CARTON								
32.	Danger Decal	560-1036	2	560-1036	2	560-1036	2	560-1036	4
33.	Joint Piece	580-1002	1	580-1002	1	580-1002	1	580-1002	2
34.	Sidewall — Wedgewood	0-6108-002	1	0-6108-042	1	0-6108-010	1	0-6108-022	2
35.	Large Cover Plate	580-1524	1	580-1524	1	580-1524	1	580-1524	2
36.	Small Cover Plate	580-1518	1	580-1518	1	580-1518	1	580-1518	2
37.	Warranty Card	565-1070	1	565-1070	1	565-1070	1	565-1070	2
	Danger Decal Installation Inst.	369-1133	1	369-1133	1	369-1133	1	369-1133	1
	SUPPORT PACK 6—CARTON			0-8888-026	1			0-8888-026	1
	SUPPORT PACK 4—CARTON	0-8888-025	1			0-8888-025	2	0-8888-025	1
38.	Side Vertical	580-1522	4	580-1522	6	580-1522	8	580-1522	10
39.	Vertical Brace	580-1523	4	580-1523	6	580-1523	8	580-1523	10
40.	Bottom Rail Connector	580-1135	4	580-1135	6	580-1135	8	580-1135	10
41.	Horizontal Support	580-1275	4	580-1275	6	580-1275	8	580-1275	10
42.	Support Bracket	580-1136	4	580-1136	6	580-1136	8	580-1136	10
43.	Pressure Pad	580-1273	4	580-1273	6	580-1273	8	580-1273	10
44.	Brace, Connector - short	580-1521	4	580-1521	6	580-1521	8	580-1521	10
45.	Brace, Connector - long	580-1051	4	580-1051	6	580-1051	8	580-1051	10
46.	Skid Plate	580-1063	4	580-1063	6	580-1063	8	580-1063	10
*47.	Sheet Metal Screw, #10 x 3/8", Type AB	510-1000	92	510-1000	138	510-1000	184	510-1000	230
*48.	High Strength Bolt 1/4"-20 x 1/2", hex head	510-1018	72	510-1018	108	510-1018	144	510-1018	180
*49.	Hex Nut, 1/4"-20	511-1000	72	511-1000	108	511-1000	144	511-1000	180
*50.	Hex Washered/Sheet Metal Screw, No. 12 x 3/4"	510-1035	16	510-1035	24	510-1035	32	510-1035	40
51.	Horizontal End Cap	580-1412	4	580-1412	6	580-1412	8	580-1412	10

*Screws are available in most hardware stores.

**For additional patch kits order Part No. 5604-00.

***If you have received a liner other than the one listed above, write the number of your liner in the space provided. # _____