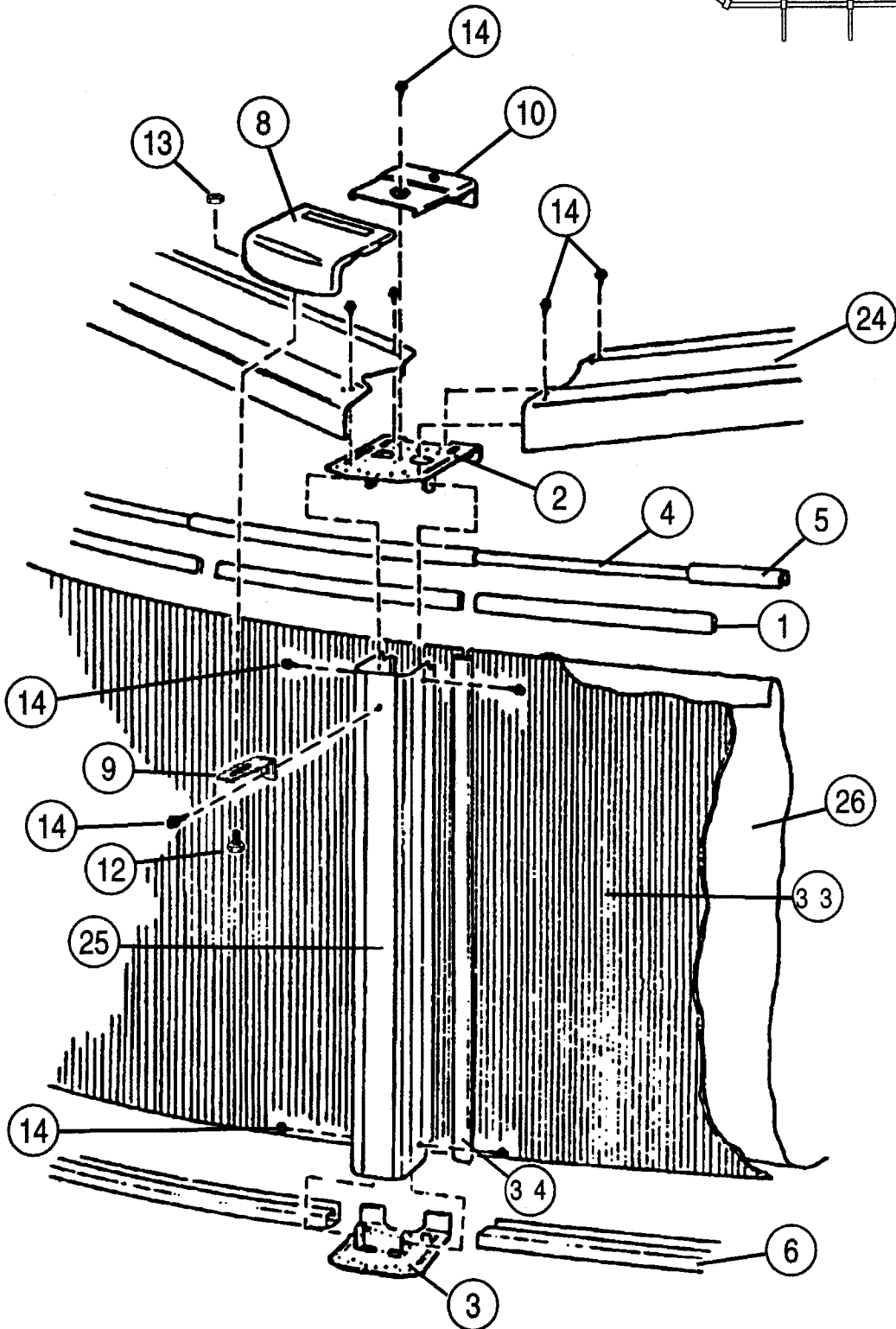
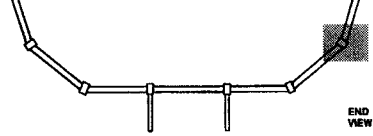


"the original portable pool"

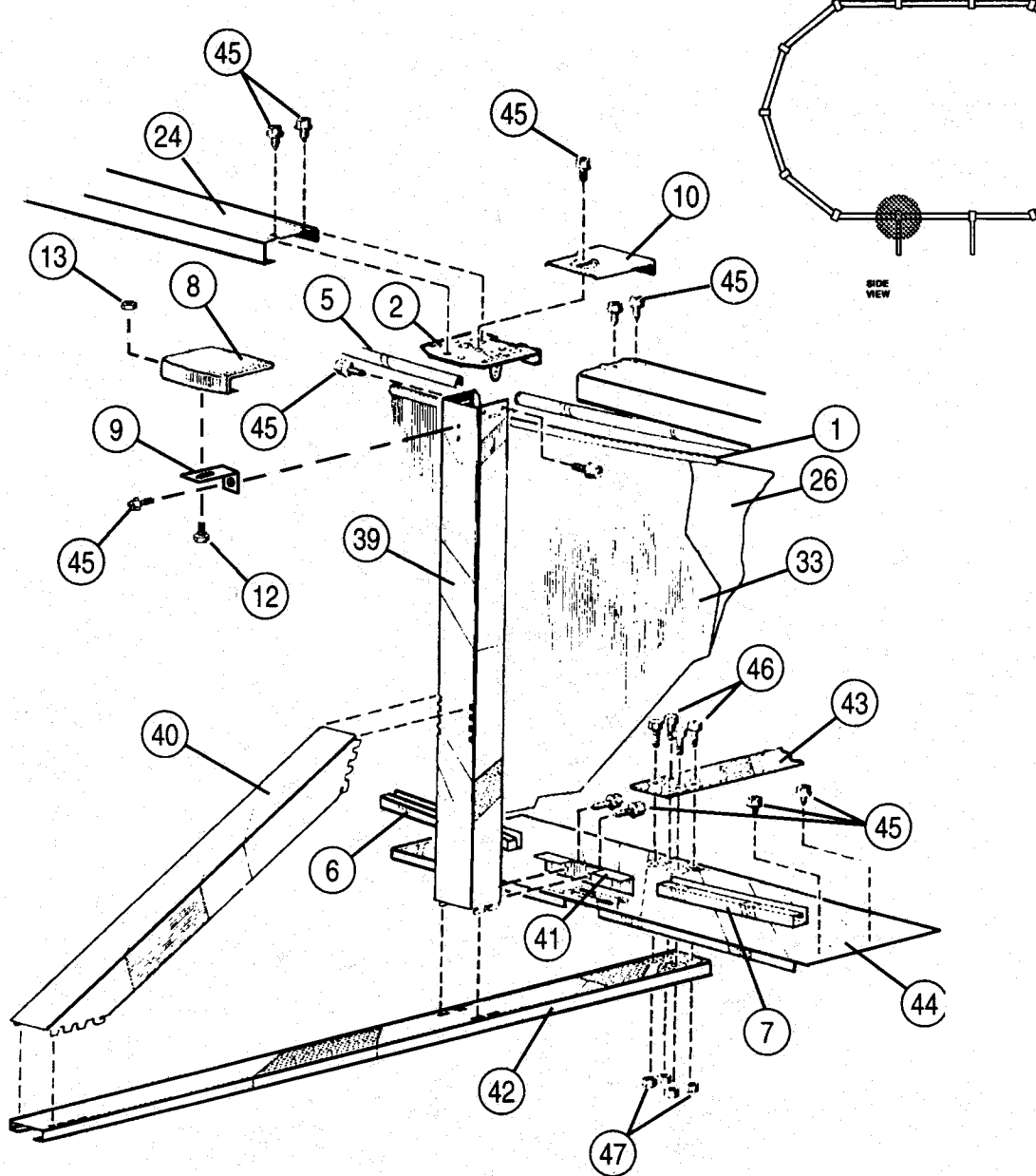
doughboy

Timberline III

Strap Oval Pool



573-2853



Timberline III Strap Oval Pool — Parts List

ITEM #	DESCRIPTION	20' x 12' x 48"		24' x 12' x 48"	
		PART #	QTY.	PART #	QTY.
	ASSEMBLY PACK	0-9902-600	1	0-9942-600	1
1.	Plastic Coping, 24"	545-1001	30	545-1001	33
2.	Vertical End Cap-Top	580-1926	10	580-1926	10
3.	Vertical End Cap-Bottom	580-1594	10	580-1594	10
4.	Stabilizer Rail, small dia.	583-1012	8	583-1012	8
5.	Stabilizer Rail, large dia.	583-1011	10	583-1011	12
6.	Bottom Rail (Stamped 12)	589-1046	12	589-1046	12
7.	Side Rail (Stamped S)	589-1052	2	589-1052	4
8.	6" Outer Connector	580-1927	14	580-1927	16
9.	Outer Connector Bracket	580-1912	14	580-1912	16
10.	Inner Connector	5186-1186	14	5186-1186	16
11.	Side Vertical Cap	580-1887	14	580-1887	16
12.	Machine Screw, 10-24 x 1/2"	510-1008	14	510-1008	15
13.	Square Nut, 10-24	312-1025	14	321-1025	16
*14.	Sheet Metal Screw #10 x 3/8" Hexwasher Head, Type AB	510-1000	100	510-1000	100
15.	Pool Parts List	573-2853	1	573-2853	1
16.	Pool Installation Instructions	573-2851	1	573-2851	1
17.	"Read Me First" Booklet	573-2777	1	573-2777	1
18.	"Enjoy Your Pool" Booklet	573-2743	1	573-2743	1
19.	"Safety First" Booklet	573-2778	1	573-2778	1
20.	"Children Aren't . . ." Brochure	573-2338	1	573-2338	1
21.	"Pool & Spa . . ." Brochure	573-2393	1	573-2393	1
22.	Warranty Card - Metal	—	1	—	1
23.	Product Registration Card	565-1117	1	565-1117	1
24.	Top Rail	587-1356	14	587-1356	16
25.	Vertical	580-1156	10	580-1156	10
	POOL LINER CARTON				
***26.	Pool Liner	0-2012	1	0-2412	1
27.	Chlorine/Winterizing Instructions	573-2421	1	573-2421	1
27A.	Installation Instruction Insert	369-1145	1	369-1145	1
28.	"Warning" Decal	560-1041	3	560-1041	3
29.	Warranty Card - Liner	—	1	—	1
**30.	Repair Patch	564-1000	1	564-1000	1
31.	"Shallow" Decal	560-1043	3	560-1043	3
32.	"Read Me First" Booklet	573-2777	1	573-2777	1
	SIDEWALL CARTON				
33.	Sidewall	0-0008-002	1	0-0008-042	1
34.	Joint Piece	580-1002	1	580-1002	1
35.	"Warning" Sign	560-1046	1	560-1046	1
36.	"Read Me First" Booklet	573-2777	1	573-2777	1
37.	Adhesive Squares	310-1034	6	310-1034	6
38.	Safety Video	573-2500	1	573-2500	1
	SUPPORT PACK 4 — CARTON	0-8495-004	1		
	SUPPORT PACK 6 — CARTON			0-8495-006	1
39.	Side Vertical	580-1615	4	580-1615	6
40.	Vertical Brace	580-1208	4	580-1208	6
41.	Bottom Rail Connector	580-1793	4	580-1793	6
42.	Foundation Beam	580-1880	4	580-1880	6
43.	Tension Strap	580-1225	2	580-1225	3
44.	Pressure Pad	580-1273	4	580-1273	6
*45.	Sheet Metal Screw, #10 x 3/8", Type AB	510-1000	48	510-1000	72
*46.	High Strength Bolt 1/4"-20 x 1/2" Hex Head	510-1018	16	510-1018	24
*47.	Hex Nut, 1/4-20	511-1000	16	511-1000	24

*Screws are available in most hardware stores.

**For additional patch kits order Part No. 0-5604-000.

***Write the number of your liner in the spaces provided here and above. # _____