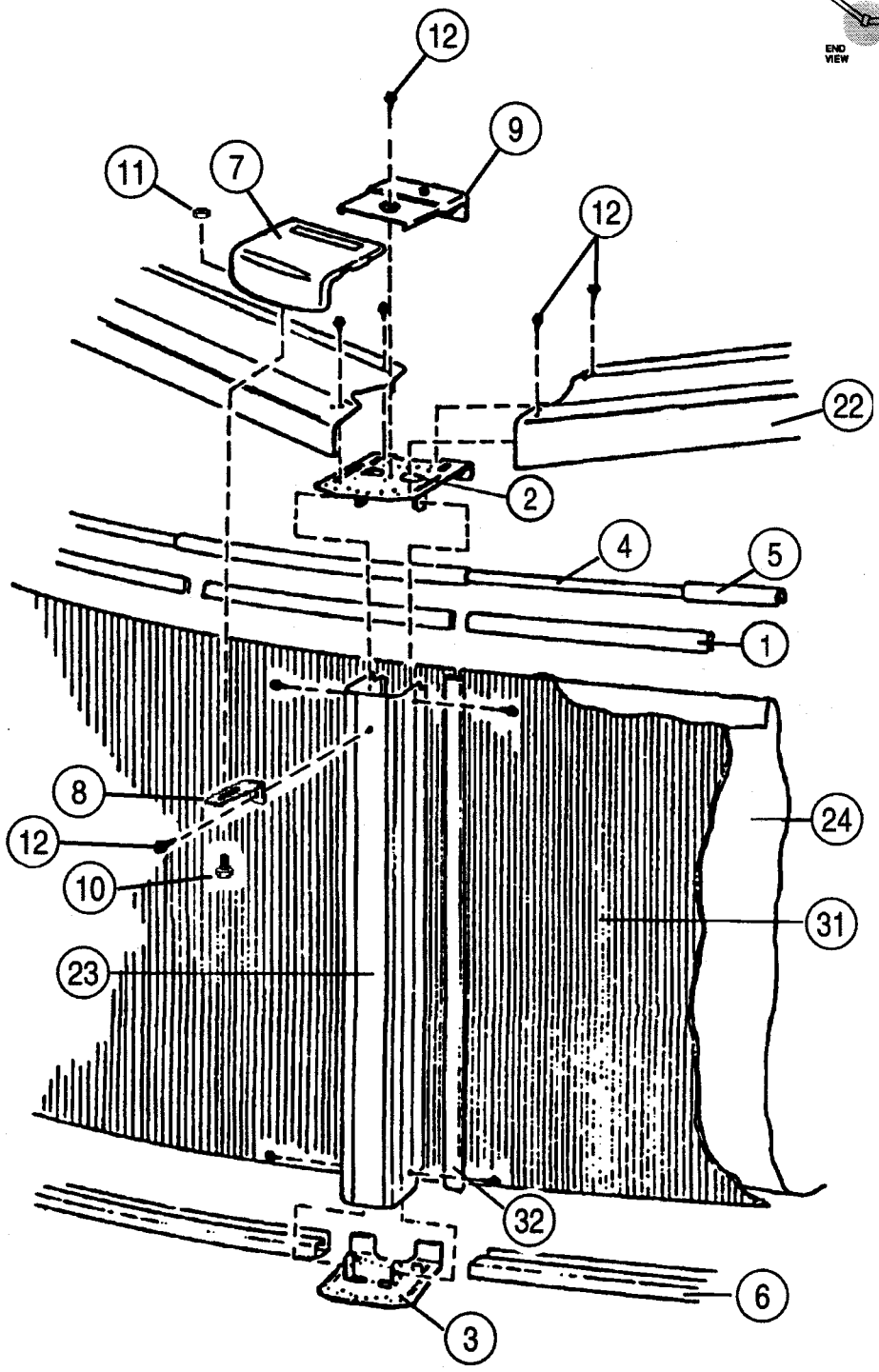
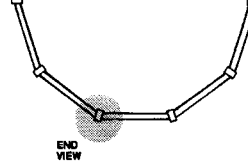


"the original portable pool"
doughboy[®]

Timberline III

Round Pool



Timberline III Round Pool — Parts List

ITEM #	DESCRIPTION	12' x 48"		16' x 48"		18' x 48"		21' x 48"		24' x 48"	
		PART #	QTY.	PART #	QTY.	PART #	QTY.	PART #	QTY.	PART #	QTY.
	ASSEMBLY PACK	0-9912-600	1	0-9916-600	1	0-9918-600	1	0-9921-600	1	0-9924-600	1
1.	Plastic Coping, 24"	545-1001	22	545-1001	28	545-1001	30	545-1001	35	545-1001	40
2.	Vertical End Cap-Top	580-1926	10	580-1926	12	580-1926	14	580-1926	16	580-1926	18
3.	Vertical End Cap-Bottom	580-1594	10	580-1594	12	580-1594	14	580-1594	16	580-1594	18
4.	Stabilizer Rail, small dia.	583-1012	6	583-1012	8	583-1012	9	583-1004	10	583-1004	11
5.	Stabilizer Rail, large dia.	583-1011	6	583-1011	8	583-1011	9	583-1005	10	583-1005	11
6.	Bottom Rail	589-1046	10	589-1047	12	589-1048	14	589-1049	16	589-1050	18
7.	6" Outer Connector	580-1927	10	580-1927	12	580-1927	14	580-1927	16	580-1927	18
8.	Outer Connector Bracket	580-1912	10	580-1912	12	580-1912	14	580-1912	16	580-1912	18
9.	Inner Connector	5186-1186	10	5186-1186	12	5186-1186	14	5186-1186	16	5186-1186	18
10.	Machine Screw, 10-24 x 1/2"	510-1008	10	510-1008	12	510-1008	14	510-1008	16	510-1008	18
11.	Square Nut, 10-24	321-1025	10	321-1025	12	321-1025	14	321-1025	16	321-1025	18
*12.	Sheet Metal Screw-#10 x 3/8", Hexwasher Head, Type AB	510-1000	100	510-1000	120	510-1000	140	510-1000	160	510-1000	180
13.	Pool Parts List	573-2850	1	573-2850	1	573-2850	1	573-2850	1	573-2850	1
14.	Pool Installation Instructions	573-2828	1	573-2828	1	573-2828	1	573-2828	1	573-2828	1
15.	"Read Me First" Booklet	573-2777	1	573-2777	1	573-2777	1	573-2777	1	573-2777	1
16.	"Enjoy Your Pool" Booklet	573-2743	1	573-2743	1	573-2743	1	573-2743	1	573-2743	1
17.	"Safety First" Booklet	573-2778	1	573-2778	1	573-2778	1	573-2778	1	573-2778	1
18.	"Children Aren't . . ." Brochure	573-2338	1	573-2338	1	573-2338	1	573-2338	1	573-2338	1
19.	"Pool & Spa . . ." Brochure	573-2393	1	573-2393	1	573-2393	1	573-2393	1	573-2393	1
20.	Warranty Card - Metal	—	1	—	1	—	1	—	1	—	1
21.	Product Registration Card	565-1117	1	565-1117	1	565-1117	1	565-1117	1	565-1117	1
22.	Top Rail	587-1356	10	587-1357	12	587-1357	14	587-1357	16	587-1357	18
23.	Vertical	580-1156	10	580-1156	12	580-1156	14	580-1156	16	580-1156	18
	POOL LINER CARTON										
***24.	Pool Liner	0-1248-___	1	0-1648-___	1	0-1848-___	1	0-2148-___	1	0-2448-___	1
25.	Chlorine/Winterizing Instructions	573-2421	1	573-2421	1	573-2421	1	573-2421	1	573-2421	1
25A.	Installation Instruction Insert	369-1145	1	369-1145	1	369-1145	1	369-1145	1	369-1145	1
26.	"Warning" Decal	560-1041	3	560-1041	3	560-1041	3	560-1041	3	560-1041	1
27.	Warranty Card-Liner		1		1		1		1		1
28.	"Shallow" Decal	560-1043	3	560-1043	3	560-1043	3	560-1043	3	560-1043	3
**29.	Repair Patch	564-1000	1	564-1000	1	564-1000	1	564-1000	1	564-1000	1
30.	"Read Me First" Booklet	573-2777	1	573-2777	1	573-2777	1	573-2777	1	573-2777	1
	SIDEWALL CARTON										
31.	Sidewall	0-0008-012	1	0-0008-016	1	0-0008-018	1	0-0008-021	1	0-0008-024	1
32.	Joint Piece	580-1002	1	580-1002	1	580-1002	1	580-1002	1	580-1002	1
33.	"Warning" Sign	560-1046	1	560-1046	1	560-1046	1	560-1046	1	560-1046	1
34.	"Read Me First" Booklet	573-2777	1	573-2777	1	573-2777	1	573-2777	1	573-2777	1
35.	Adhesive Squares	310-1034	6	310-1034	6	310-1034	6	310-1034	6	310-1034	6
36.	Safety Video	573-2500	1	573-2500	1	573-2500	1	573-2500	1	573-2500	1

*Screws are available in most hardware stores.

**For additional patch kits order Part No. 0-5604-000.

***Write the number of your liner in the spaces provided here and above # _____