

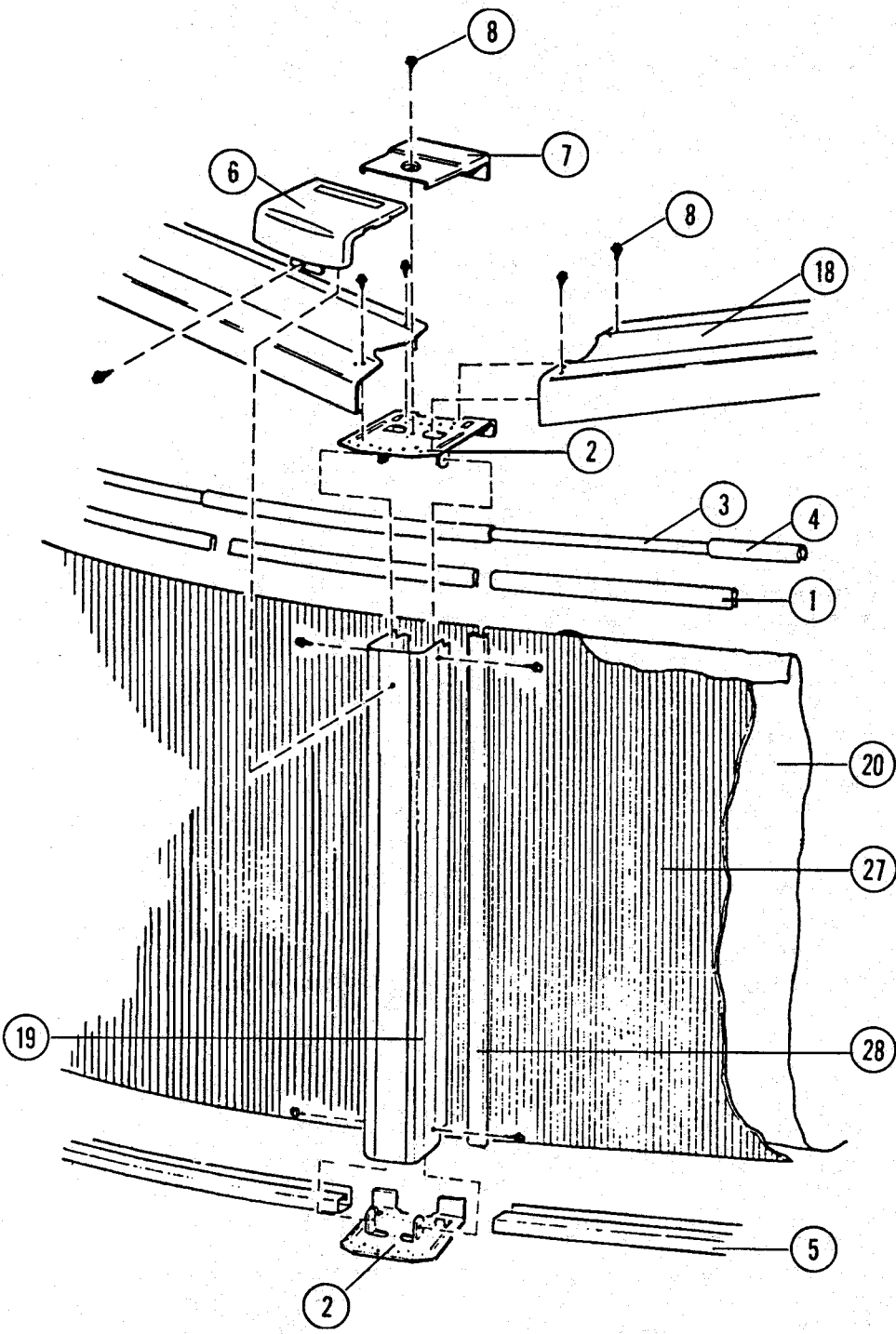
"the original portable pool"  
**doughboy**<sup>®</sup>

# Timberline II

## Round Pool

---

---



NO  
Sha  
  
Y  
perma

# Timberline II Round Pool — Parts List

ITEM #	DESCRIPTION	12' x 48"		16' x 48"		18' x 48"		21' x 48"		24' x 48"	
		PART #	QTY.	PART #	QTY.	PART #	QTY.	PART #	QTY.	PART #	QTY.
	<b>ASSEMBLY PACK</b>	0-9912-400	1	0-9916-400	1	0-9918-400	1	0-9921-400	1	0-9924-400	1
1.	Plastic Coping, 24"	545-1001	20	545-1001	26	545-1001	28	545-1001	33	545-1001	38
2.	Vertical End Cap	580-1594	20	580-1594	24	580-1594	28	580-1594	32	580-1594	36
3.	Stabilizer Rail, small dia.	583-1012	6	583-1012	8	583-1012	9	583-1004	10	583-1004	11
4.	Stabilizer Rail, large dia.	583-1011	6	583-1011	8	583-1011	9	583-1005	10	583-1005	11
5.	Bottom Rail	589-1046	10	589-1047	12	589-1048	14	589-1049	16	589-1050	18
6.	4" Outer Connector	580-1546	10	580-1546	12	580-1546	14	580-1546	16	580-1546	18
7.	Inner Connector	5186-1186	10	5186-1186	12	5186-1186	14	5186-1186	16	5186-1186	18
*8.	Sheet Metal Screw-#10 x 3/8", Hexwasher Head, Type AB	510-1000	100	510-1000	120	510-1000	140	510-1000	160	510-1000	180
9.	Pool Parts List	573-2615	1	573-2615	1	573-2615	1	573-2615	1	573-2615	1
10.	Pool Installation Instructions	573-2565	1	573-2565	1	573-2565	1	573-2565	1	573-2565	1
11.	"Read Me First" Booklet	573-2417	1	573-2417	1	573-2417	1	573-2417	1	573-2417	1
12.	"Enjoy Your Pool" Booklet	573-2124	1	573-2124	1	573-2124	1	573-2124	1	573-2124	1
13.	"Safety First" Booklet	573-2583	1	573-2583	1	573-2583	1	573-2583	1	573-2583	1
14.	"Children Aren't . . ." Brochure	573-2338	1	573-2338	1	573-2338	1	573-2338	1	573-2338	1
15.	"Pool & Spa . . ." Brochure	573-2393	1	573-2393	1	573-2393	1	573-2393	1	573-2393	1
16.	Warranty Card - Metal	—	1	—	1	—	1	—	1	—	1
17.	Product Registration Card	565-1117	1	565-1117	1	565-1117	1	565-1117	1	565-1117	1
	<b>TOP RAIL PACK</b>	0-9801-400	1	0-9812-400	1	0-9814-400	1	0-9816-400	1	0-9818-400	1
18.	Top Rail	587-1192	10	587-1194	12	587-1194	14	587-1194	16	587-1194	18
	<b>VERTICAL PACK</b>	0-9710-400	1	0-9712-400	1	0-9714-400	1	0-9716-400	1	0-9718-400	1
19.	Vertical	580-1156	10	580-1156	12	580-1156	14	580-1156	16	580-1156	18
	<b>POOL LINER CARTON</b>										
***20.	Pool Liner	0-1248-___	1	0-1648-___	1	0-1848-___	1	0-2148-___	1	0-2448-___	1
21.	Chlorine/Winterizing Instructions	573-2421	1	573-2421	1	573-2421	1	573-2421	1	573-2421	1
22.	"Warning" Decal	560-1041	3	560-1041	3	560-1041	3	560-1041	3	560-1041	3
23.	Warranty Card - Liner	—	1	—	1	—	1	—	1	—	1
24.	"Shallow" Decal	560-1043	3	560-1043	3	560-1043	3	560-1043	3	560-1043	3
**25.	Repair Patch	564-1000	1	564-1000	1	564-1000	1	564-1000	1	564-1000	1
26.	"Read Me First" Booklet	573-2417	1	573-2417	1	573-2417	1	573-2417	1	573-2417	1
	<b>SIDEWALL CARTON</b>										
27.	Sidewall	0-0008-012	1	0-0008-016	1	0-0008-018	1	0-0008-021	1	0-0008-024	1
28.	Joint Piece	580-1002	1	580-1002	1	580-1002	1	580-1002	1	580-1002	1
29.	Large Cover Plate	580-1242	1	580-1242	1	580-1242	1	580-1242	1	580-1242	1
30.	Small Cover Plate	580-1241	1	580-1241	1	580-1241	1	580-1241	1	580-1241	1
31.	Warranty Card - Metal	—	1	—	1	—	1	—	1	—	1
32.	"Warning" Sign	560-1046	1	560-1046	1	560-1046	1	560-1046	1	560-1046	1
33.	"Read Me First" Booklet	573-2417	1	573-2417	1	573-2417	1	573-2417	1	573-2417	1
34.	Black Marking Pen	332-1079	1	332-1079	1	332-1079	1	332-1079	1	332-1079	1
35.	Adhesive Squares	310-1034	6	310-1034	6	310-1034	6	310-1034	6	310-1034	6
36.	Safety Video	573-2500	1	573-2500	1	573-2500	1	573-2500	1	573-2500	1

\*Screws are available in most hardware stores.

\*\*For additional patch kits order Part No. 0-5604-000.

\*\*\*Write the number of your liner in the spaces provided here and above. # \_\_\_\_\_

# Young Family Series Timberline II Round Pool — Parts List

ITEM #	DESCRIPTION	12' x 36"		16' x 36"	
		PART #	QTY.	PART #	QTY.
	<b>ASSEMBLY PACK</b>	0-9912-400	1	0-9916-400	1
1.	Plastic Coping, 24"	545-1001	20	545-1001	26
2.	Vertical End Cap	580-1594	20	580-1594	24
3.	Stabilizer Rail, small dia.	583-1012	6	583-1012	8
4.	Stabilizer Rail, large dia.	583-1011	6	583-1011	8
5.	Bottom Rail	589-1046	10	589-1047	12
6.	4" Outer Connector	580-1546	10	580-1546	12
7.	Inner Connector	5186-1186	10	5186-1186	12
*8.	Sheet Metal Screw, #10 x 3/8", Type AB	510-1000	100	510-1000	120
9.	Pool Parts List	573-2615	1	573-2615	1
10.	Pool Installation Instructions	573-2565	1	573-2565	1
11.	"Read Me First" Booklet	573-2417	1	573-2417	1
12.	"Enjoy Your Pool" Booklet	573-2124	1	573-2124	1
13.	"Safety First" Booklet	573-2583	1	573-2583	1
14.	"Children Aren't . . ." Brochure	573-2338	1	573-2338	1
15.	"Pool & Spa . . ." Brochure	573-2393	1	573-2393	1
16.	Warranty Card - Metal	—	1	—	1
17.	Product Registration Card	565-1117	1	565-1117	1
	<b>TOP RAIL PACK</b>	0-9801-400	1	0-9812-400	1
18.	Top Rail	587-1192	10	587-1194	12
	<b>VERTICAL PACK</b>	0-9701-400	1	0-9721-400	1
19.	Vertical	580-1478	10	580-1478	12
	<b>POOL LINER CARTON</b>				
***20.	Pool Liner	0-1236-___	1	0-1636-___	1
21.	Chlorine/Winterizing Instructions	573-2421	1	573-2421	1
22.	"Warning" Decal	560-1041	3	560-1041	3
23.	Warranty Card - Liner	—	1	—	1
24.	—	—	—	—	—
**25.	Repair Patch	564-1000	1	564-1000	1
26.	"Read Me First" Booklet	573-2417	1	573-2417	1
	<b>SIDEWALL CARTON</b>				
27.	Sidewall	0-0006-012	1	0-0006-016	1
28.	Joint Piece	580-1088	1	580-1088	1
29.	—	—	—	—	—
30.	—	—	—	—	—
31.	Warranty Card - Metal	—	1	—	1
32.	"Warning" Sign	560-1046	1	560-1046	1
33.	"Read Me First" Booklet	573-2417	1	573-2417	1
34.	Black Marking Pen	332-1079	1	332-1079	1
35.	Adhesive Squares	310-1034	6	310-1034	6
36.	Safety Video	573-2500	1	573-2500	1

\*Screws are No. 10 Hex Head Sheet Metal Screws, 3/8" long, and are available in most hardware stores.

\*\*For additional patch kits order Part No. 0-5604-000.

\*\*\*Write the number of your liner in the spaces provided here and above. # \_\_\_\_\_