

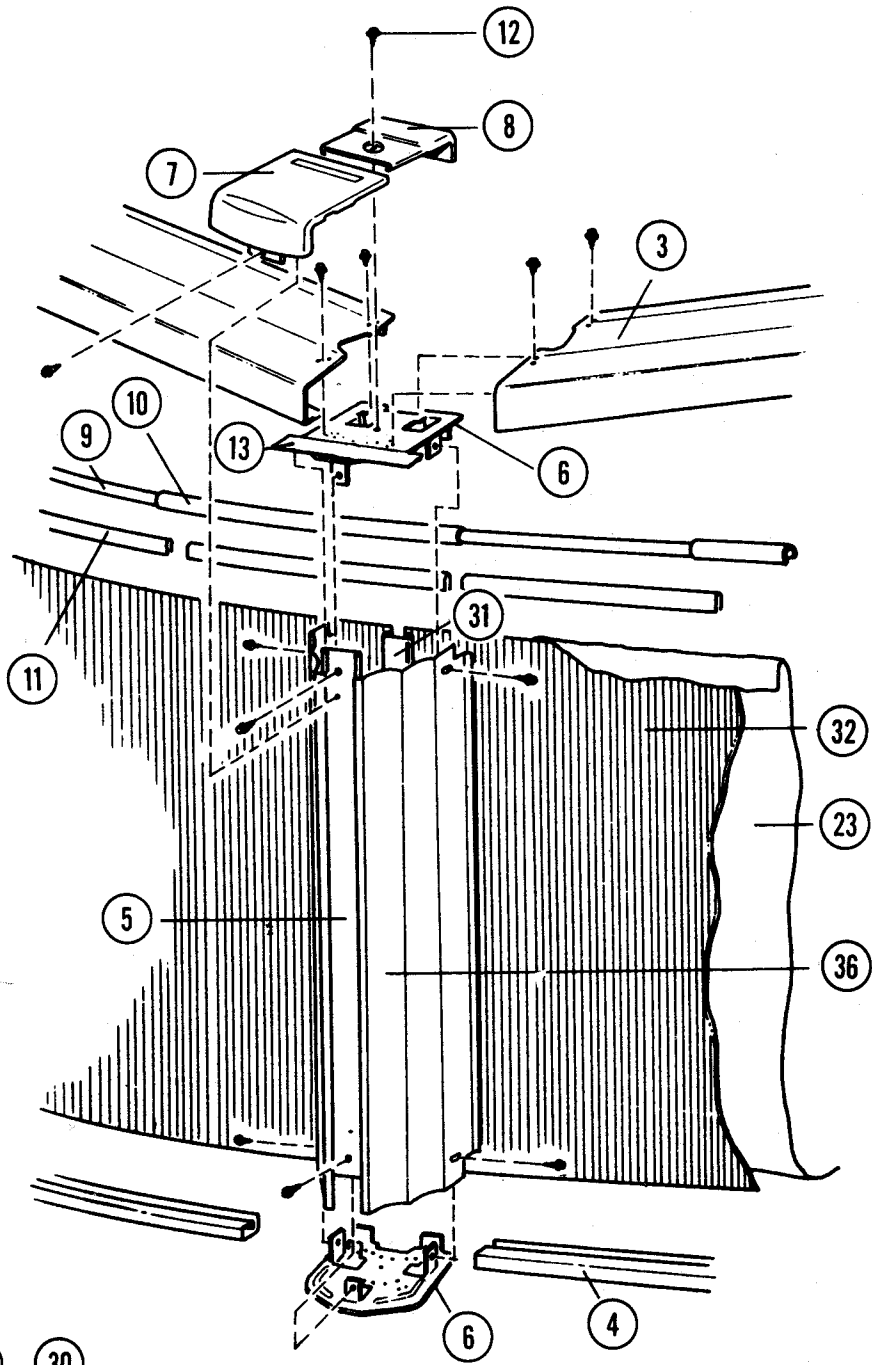
"the original portable pool"

doughboy[®]

Stony Creek

Round Pool

Parts List



PARTS LIST

ITEM #	DESCRIPTION	16' x 48''		18' x 48''		21' x 48''		24' x 48''		28' x 48''	
		PART #	QTY.	PART #	QTY.	PART #	QTY.	PART #	QTY.	PART #	QTY.
	FRAME PACK "A" CARTON	0-9616-000	1	0-9618-000	1	0-9621-000	1	0-9624-000	1	0-9628-000	1
1.	Parts List	573-2359	1	573-2359	1	573-2359	1	573-2359	1	573-2359	1
2.	Pool Assy./Installation Instructions	573-2367	1	573-2367	1	573-2367	1	573-2367	1	573-2367	1
3.	Top Rail	587-1161	12	587-1161	14	587-1161	16	587-1161	18	587-1161	21
4.	Bottom Rail	589-1047	12	589-1048	14	589-1049	16	589-1050	18	589-1051	21
5.	Vertical Center Section	580-1532	12	580-1532	14	580-1532	16	580-1532	18	580-1532	21
6.	Vertical End Cap	580-1147	24	580-1147	28	580-1147	32	580-1147	36	580-1147	42
7.	6" Outer Connector	580-1549	12	580-1549	14	580-1549	16	580-1549	18	580-1549	21
8.	Inner Connector	5186-1157	12	5186-1157	14	5186-1157	16	5186-1157	18	5186-1157	21
9.	Stabilizer Rail, small dia.	583-1012	8	583-1012	9	583-1004	10	583-1004	11	583-1004	13
10.	Stabilizer Rail, large dia.	583-1011	8	583-1011	9	583-1005	10	583-1005	11	583-1005	13
11.	Plastic Coping, 24"	545-1001	26	545-1001	28	545-1001	33	545-1001	38	545-1001	44
*12.	Sheet Metal Screw, No. 10 x 3/8", Type AB	510-1000	144	510-1000	168	510-1000	192	510-1000	216	510-1000	252
13.	Support Plate	580-1181	12								
14.	Booklet -- Enjoy Your Pool	573-2124	1	573-2124	1	573-2124	1	573-2124	1	573-2124	1
15.	Safety First Handbook	573-2370	1	573-2370	1	573-2370	1	573-2370	1	573-2370	1
16.	Brochure -- Night Swimming & Lighting	573-2334	1	573-2334	1	573-2334	1	573-2334	1	573-2334	1
17.	Brochure -- Children Aren't	573-2338	1	573-2338	1	573-2338	1	573-2338	1	573-2338	1
17A.	Brochure -- Pool & Spa	573-2393	1	573-2393	1	573-2393	1	573-2393	1	573-2393	1
18.	"Danger" Sign	560-1035	1	560-1035	1	560-1035	1	560-1035	1	560-1035	1
19.	Adhesive Square	310-1034	4	310-1034	4	310-1034	4	310-1034	4	310-1034	4
20.	Warranty Card	565-1071	1	565-1071	1	565-1071	1	565-1071	1	565-1071	1
21.	Product Registration Card	565-1073	1	565-1073	1	565-1073	1	565-1073	1	565-1073	1
	POOL LINER CARTON										
22.	Chlorine/Winterizing Instructions	369-1134	1	369-1134	1	369-1134	1	369-1134	1	369-1134	1
***23.	Pool Liner -- 20 Mil (Standard)	0-1648-720	1	0-1848-720	1	0-2148-720	1	0-2448-720	1	0-2848-720	1
24.	Danger Decals	560-1036	2	560-1036	2	560-1036	2	560-1036	2	560-1036	2
25.	Warranty Card	565-1062	1	565-1062	1	565-1062	1	565-1062	1	565-1062	1
**26.	Repair Patch	564-1000	1	564-1000	1	564-1000	1	564-1000	1	564-1000	1
27.	"Danger Deep Area" Decal	560-1037	2	560-1037	2	560-1037	2	560-1037	2	560-1037	2
28.	Danger -- Shallow 3 1/2 Ft.	560-1034	4	560-1034	4	560-1034	4	560-1034	4	560-1034	4
29.	Danger Decal Installation Inst.	369-1133	1	369-1133	1	369-1133	1	369-1133	1	369-1133	1
	SIDEWALL CARTON										
30.	Danger Decals	560-1036	2	560-1036	2	560-1036	2	560-1036	2	560-1036	2
31.	Joint Piece	580-1002	1	580-1002	1	580-1002	1	580-1002	1	580-1002	1
32.	Sidewall	0-6408-016	1	0-6408-018	1	0-6408-021	1	0-6408-024	1	0-6408-028	1
33.	Large Cover Plate	580-1525	1	580-1525	1	580-1525	1	580-1525	1	580-1525	1
34.	Small Cover Plate	580-1526	1	580-1526	1	580-1526	1	580-1526	1	580-1526	1
35.	Warranty Card	565-1071	1	565-1071	1	565-1071	1	565-1071	1	565-1071	1
	Danger Decal Installation Inst.	369-1133	1	369-1133	1	369-1133	1	369-1133	1	369-1133	1
	FRAME PACK "B" CARTON	0-9699-002	1	0-9618-002	1	0-9621-002	1	0-9624-002	1	0-9628-002	1
36.	Vertical Side Section	580-1527	24	580-1527	28	580-1527	32	580-1527	36	580-1527	42