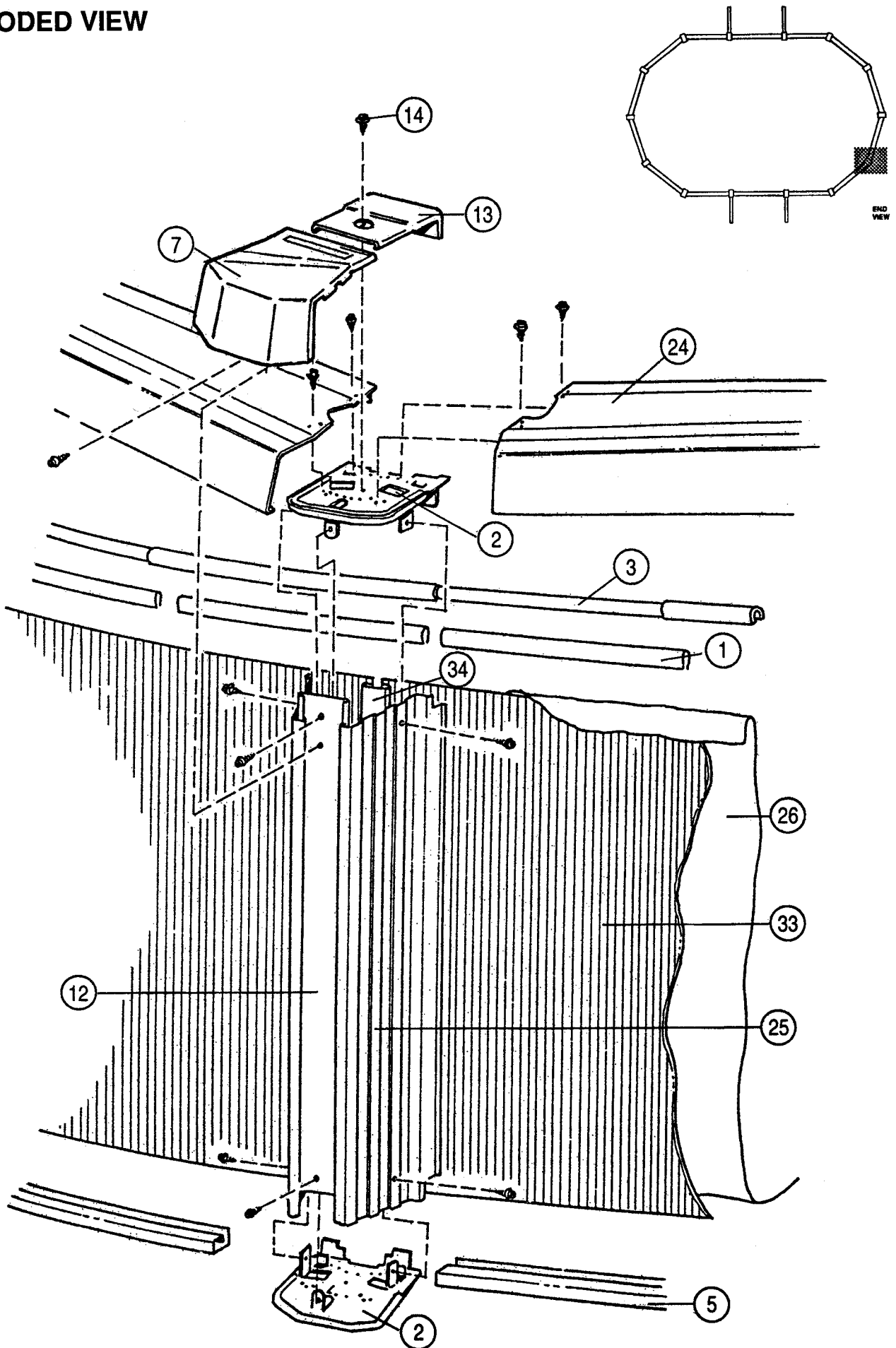


"the original portable pool"
doughboy

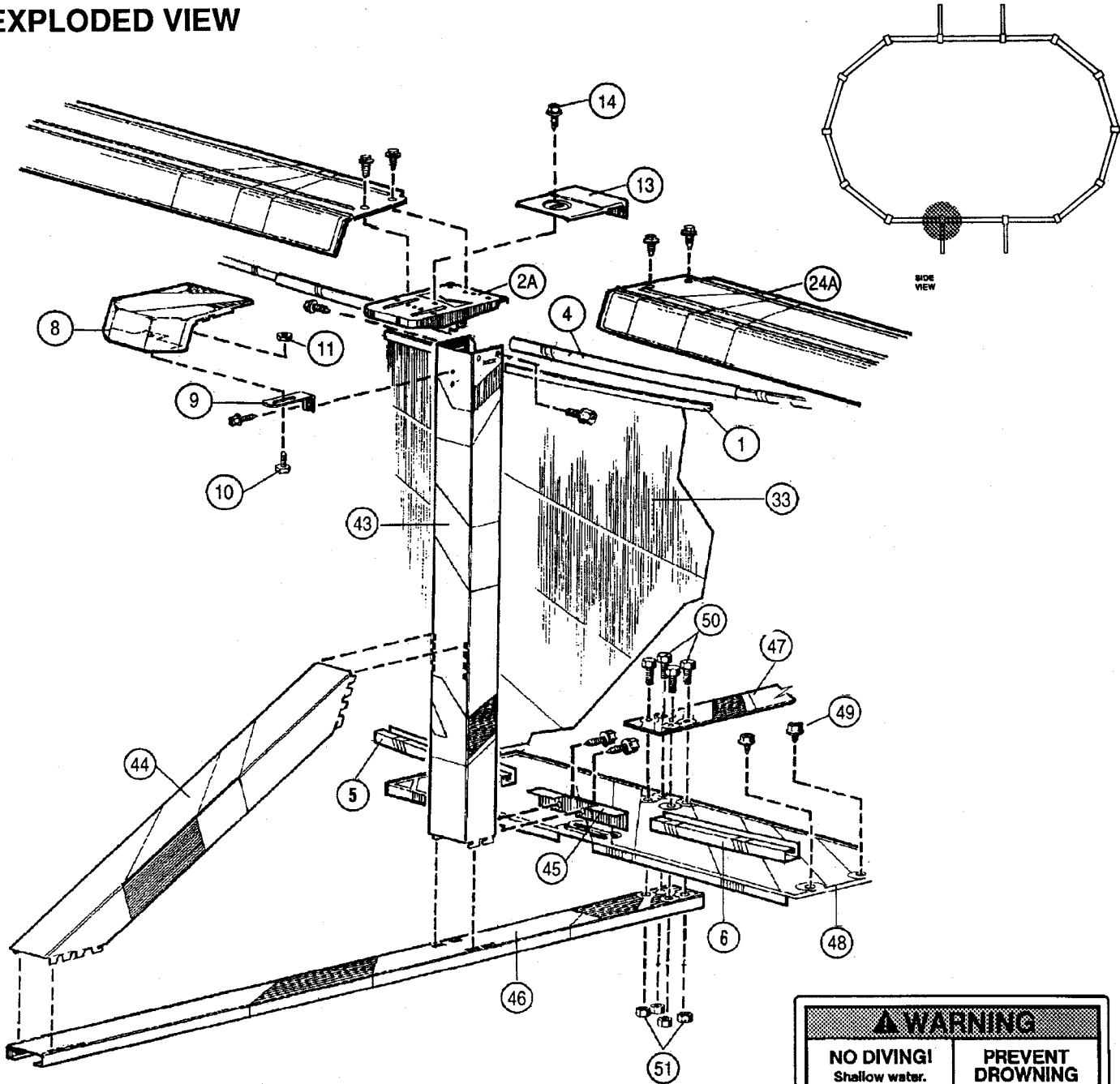
Smoky Pointe

Strap Oval Pool

EXPLODED VIEW



EXPLODED VIEW



▲ WARNING	
NO DIVING! Shallow water.	PREVENT DROWNING
	
You can be permanently injured.	Watch children at all times.
RESCUE	

SmokyPointeStrapOvalPool—PartsList

ITEM #	DESCRIPTION	40' x 12' x 48"		44' x 12' x 48"	
		PART #	QTY.	PART #	QTY.
	ASSEMBLY PACK	0-9940-701	1	0-9944-701	1
1.	Plastic Coping, 24"	545-1001	47	545-1001	51
2.	Vertical End Caps (Ends)	580-1619	20	580-1619	20
2A.	Vertical End Caps (Sides)	580-1588	14	580-1588	16
3.	Stabilizer Rail, small dia.	583-1012	8	583-1012	8
4.	Stabilizer Rail, large dia.	583-1011	20	583-1011	22
5.	Bottom Rail (Stamped 12)	589-1046	12	589-1046	12
6.	Side Rail (Stamped S)	589-1052	12	589-1052	14
7.	6" Outer Connector (Ends)	580-1620	10	580-1620	10
8.	Outer Connector (Sides)	580-1622	14	580-1622	16
9.	Outer Connector Bracket	580-1629	14	580-1629	16
10.	Machine Screw, #10-24 x 1/2" pan head	510-1008	14	510-1008	16
11.	Square Nut, #10-24	321-1025	14	321-1025	16
12.	Vertical Center Section	580-1624	10	580-1624	10
13.	Inner Connector	5186-1191	24	5186-1191	26
*14.	Sheet Metal Screw #10 x 3/8" Hexwasher Head, Type AB	510-1000	130	510-1000	130
15.	Pool Parts List	573-2707	1	573-2707	1
16.	Pool Installation Instructions	573-2709	1	573-2709	1
17.	"Read Me First" Booklet	573-2417	1	573-2417	1
18.	"Enjoy Your Pool" Booklet	573-2124	1	573-2124	1
19.	"Safety First" Booklet	573-2583	1	573-2583	1
20.	"Children Aren't . . ." Brochure	573-2338	1	573-2338	1
21.	"Pool & Spa . . ." Brochure	573-2393	1	573-2393	1
22.	Warranty Card - Metal	—	1	—	1
23.	Product Registration Card	565-1117	1	565-1117	1
	TOP RAIL PACK (ENDS)	0-9803-701	1	0-9803-701	1
24.	Top Rail (Ends)	587-1201	12	587-1201	12
	TOP RAIL PACK (SIDES)	0-9812-701	1	0-9814-701	1
24A.	Top Rail (Sides)	587-1203	12	587-1203	14
	VERTICAL PACK	0-9710-701	1	0-9710-701	1
25.	Vertical - Side Section	580-1625	20	580-1625	20
	POOL LINER CARTON				
***26.	Pool Liner	0-4012-	1	0-4012-	1
27.	Chlorine/Winterizing Instructions	573-2421	1	573-2421	1
28.	"Warning" Decal	560-1041	3	560-1041	3
29.	Warranty Card - Liner	—	1	—	1
**30.	Repair Patch	564-1000	1	564-1000	1
31.	"Shallow" Decal	560-1043	3	560-1043	3
32.	"Read Me First" Booklet	573-2417	1	573-2417	1
	SIDEWALL CARTON				
33.	Sidewall	0-6908-040	2	0-6908-044	2
34.	Joint Piece	580-1002	2	580-1002	2
35.	Large Cover Plate	580-1658	2	580-1658	2
36.	Small Cover Plate	580-1659	2	580-1659	2
37.	Warranty Card - Metal	—	2	—	2
38.	"Warning" Sign	560-1046	2	560-1046	2
39.	"Read Me First" Booklet	573-2417	2	573-2417	2
40.	Black Marking Pen	332-1079	2	332-1079	2
41.	Adhesive Squares	310-1034	12	310-1034	12
42.	Safety Video	573-2500	2	573-2500	2
	SUPPORT PACK 4 — CARTON	0-8495-027	2	0-8495-027	1
	SUPPORT PACK 6 — CARTON	0-8495-028	1	0-8495-028	2
43.	Side Vertical	580-1630	14	580-1630	16
44.	Vertical Brace	580-1631	14	580-1631	16
45.	Bottom Rail Connector	580-1135	14	580-1135	16
46.	Foundation Beam	580-1200	14	580-1200	16
47.	Tension Strap	580-1225	7	580-1225	8
48.	Pressure Pad	580-1273	14	580-1273	16
*49.	Sheet Metal Screw, #10 x 3/8", Type AB	510-1000	168	510-1000	192
*50.	High Strength Bolt 1/4"-20 x 1/2" hex head	510-1018	56	510-1018	64
*51.	Hex Nut, 1/4"-20	511-1000	56	511-1000	64