

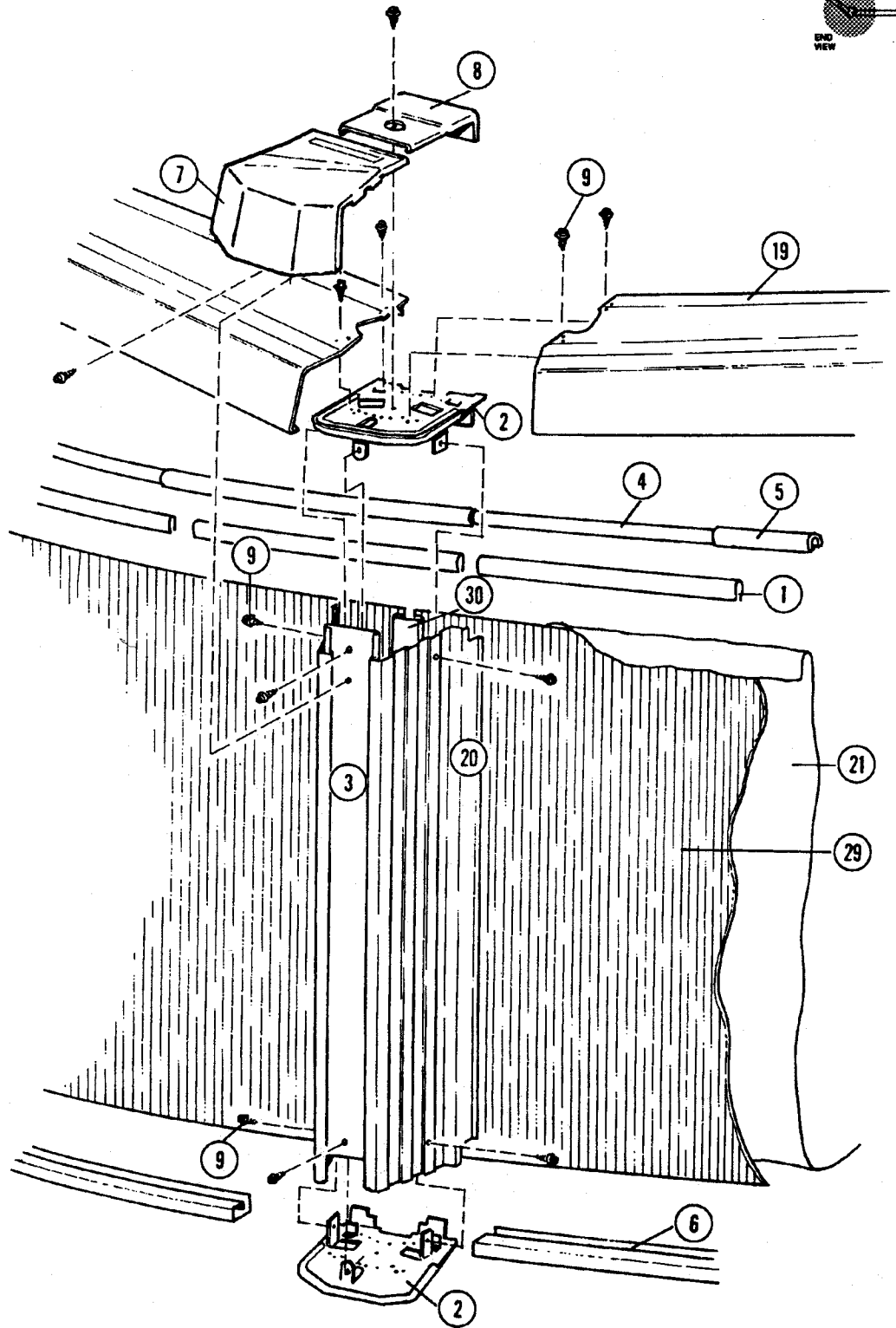
"the original portable pool"

doughboy[®]

Smoky Pointe

Round Pool

END VIEW



ITEM #	DESCRIPTION	12' x 48"		16' x 48"		18' x 48"		21' x 48"		24' x 48"		28' x 48"	
		PART #	QTY.	PART #	QTY.	PART #	QTY.	PART #	QTY.	PART #	QTY.	PART #	QTY.
	ASSEMBLY PACK	0-9912-701	1	0-9916-701	1	0-9918-701	1	0-9921-701	1	0-9924-701	1	0-9928-701	1
1.	Plastic Coping, 24"	545-1001	20	545-1001	26	545-1001	28	545-1001	33	545-1001	38	545-1001	44
2.	Vertical End Cap	580-1619	20	580-1619	24	580-1619	28	580-1619	32	580-1619	36	580-1619	42
3.	Vertical Center Section	580-1624	10	580-1624	12	580-1624	14	580-1624	16	580-1624	18	580-1624	21
4.	Stabilizer Rail, small dia.	583-1012	6	583-1012	8	583-1012	9	583-1004	10	583-1004	11	583-1004	13
5.	Stabilizer Rail, large dia.	583-1011	6	583-1011	8	583-1011	9	583-1005	10	583-1005	11	583-1005	13
6.	Bottom Rail	589-1046	10	589-1047	12	589-1048	14	589-1049	16	589-1050	18	589-1051	21
7.	6" Outer Connector	580-1620	10	580-1620	12	580-1620	14	580-1620	16	580-1620	18	580-1620	21
8.	Inner Connector	5186-1191	10	5186-1191	12	5186-1191	14	5186-1191	16	5186-1191	18	5186-1191	21
*9.	Sheet Metal Screw#10 x 3/8" Hexwasher Head, Type AB	510-1000	130	510-1000	156	510-1000	186	510-1000	208	510-1000	234	510-1000	273
10.	Pool Parts List	573-2681	1	573-2681	1	573-2681	1	573-2681	1	573-2681	1	573-2681	1
11.	Pool Installation Instructions	573-2654	1	573-2654	1	573-2654	1	573-2654	1	573-2654	1	573-2654	1
12.	"Read Me First" Booklet	573-2417	1	573-2417	1	573-2417	1	573-2417	1	573-2417	1	573-2417	1
13.	"Enjoy Your Pool" Booklet	573-2124	1	573-2124	1	573-2124	1	573-2124	1	573-2124	1	573-2124	1
14.	"Safety First" Booklet	573-2583	1	573-2583	1	573-2583	1	573-2583	1	573-2583	1	573-2583	1
15.	"Children Aren't . . ." Brochure	573-2338	1	573-2338	1	573-2338	1	573-2338	1	573-2338	1	573-2338	1
16.	"Pool & Spa . . ." Brochure	573-2393	1	573-2393	1	573-2393	1	573-2393	1	573-2393	1	573-2393	1
17.	Warranty Card - Metal	—	1	—	1	—	1	—	1	—	1	—	1
18.	Product Registration Card	565-1117	1	565-1117	1	565-1117	1	565-1117	1	565-1117	1	565-1117	1
	TOP RAIL PACK	0-9801-701	1	0-9812-701	1	0-9814-701	1	0-9816-701	1	0-9818-701	1	0-9821-701	1
19.	Top Rail	587-1201	10	587-1203	12	587-1203	14	587-1203	16	587-1203	18	587-1203	21
	VERTICAL PACK	0-9710-701	1	0-9712-701	1	0-9714-701	1	0-9716-701	1	0-9718-701	1	0-9721-701	1
20.	Vertical Side Section	580-1625	20	580-1625	24	580-1625	28	580-1625	32	580-1625	36	580-1625	42
	POOL LINER CARTON	0-1248-___	1	0-1648-___	1	0-1848-___	1	0-2148-___	1	0-2448-___	1	0-2848-___	1
***21.	Pool Liner	573-2421	1	573-2421	1	573-2421	1	573-2421	1	573-2421	1	573-2421	1
22.	Chlorine/Winterizing Instructions	573-2421	1	573-2421	1	573-2421	1	573-2421	1	573-2421	1	573-2421	1
23.	"Warning" Decal	560-1041	3	560-1041	3	560-1041	3	560-1041	3	560-1041	3	560-1041	3
24.	Warranty Card - Liner	—	1	—	1	—	1	—	1	—	1	—	1
**25.	Repair Patch	564-1000	1	564-1000	1	564-1000	1	564-1000	1	564-1000	1	564-1000	1
26.	"Deeper Area" Decal	560-1042	2	560-1042	2	560-1042	2	560-1042	2	560-1042	2	560-1042	2
27.	"Shallow" Decal	560-1043	3	560-1043	3	560-1043	3	560-1043	3	560-1043	3	560-1043	3
28.	"Read Me First" Booklet	573-2417	1	573-2417	1	573-2417	1	573-2417	1	573-2417	1	573-2417	1
	SIDEWALL CARTON	0-6908-012	1	0-6908-016	1	0-6908-018	1	0-6908-021	1	0-6908-024	1	0-6908-028	1
29.	Sidewall	580-1002	1	580-1002	1	580-1002	1	580-1002	1	580-1002	1	580-1002	1
30.	Joint Piece	580-1002	1	580-1002	1	580-1002	1	580-1002	1	580-1002	1	580-1002	1
31.	Large Cover Plate	580-1658	1	580-1658	1	580-1658	1	580-1658	1	580-1658	1	580-1658	1
32.	Small Cover Plate	580-1659	1	580-1659	1	580-1659	1	580-1659	1	580-1659	1	580-1659	1
33.	Warranty Card - Metal	—	1	—	1	—	1	—	1	—	1	—	1
34.	"Warning" Sign	560-1046	1	560-1046	1	560-1046	1	560-1046	1	560-1046	1	560-1046	1
35.	"Read Me First" Booklet	573-2417	1	573-2417	1	573-2417	1	573-2417	1	573-2417	1	573-2417	1
36.	Black Marking Pen	332-1079	1	332-1079	1	332-1079	1	332-1079	1	332-1079	1	332-1079	1
37.	Adhesive Squares	310-1034	6	310-1034	6	310-1034	6	310-1034	6	310-1034	6	310-1034	6
38.	Safety Video	573-2500	1	573-2500	1	573-2500	1	573-2500	1	573-2500	1	573-2500	1

*Screws are available in most hardware stores.

**For additional patch kits order Part No. 0-5604-000.

***Write the number of your liner in the spaces provided here and above. # _____.