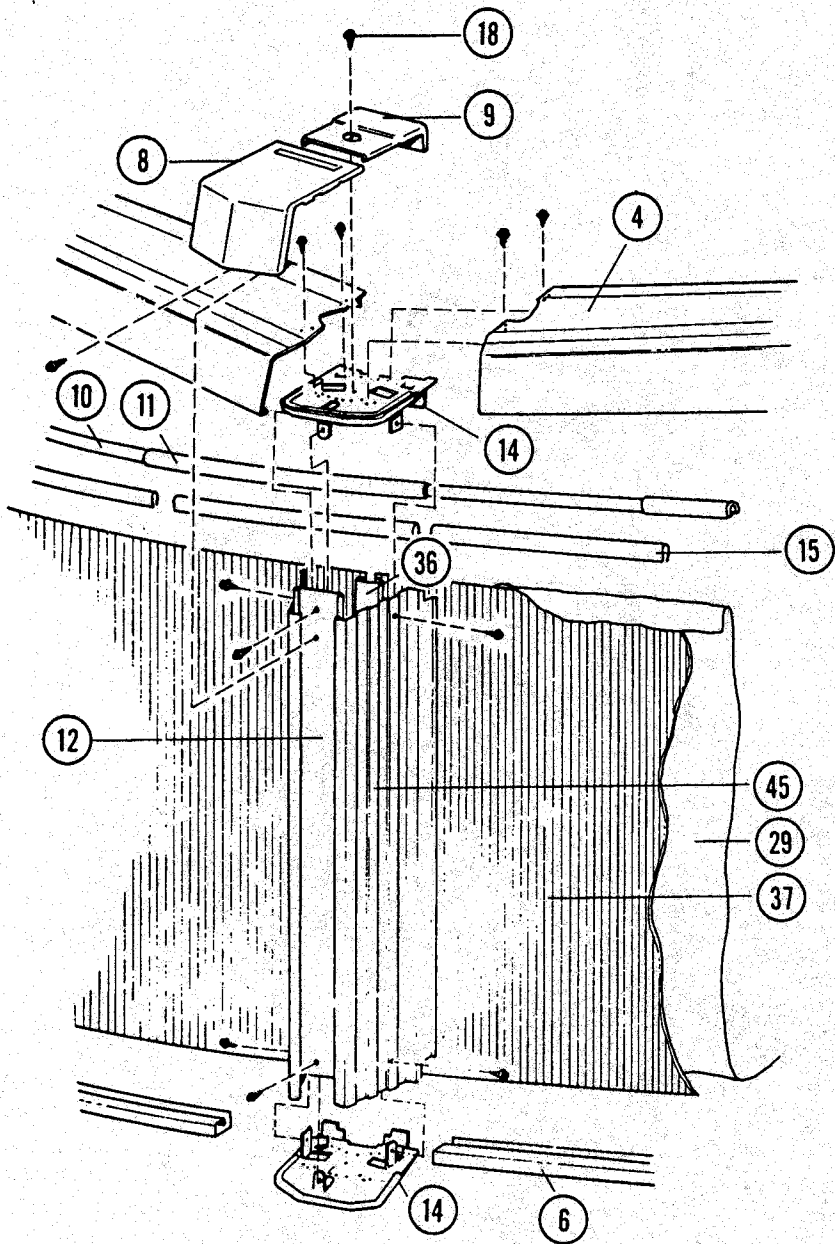


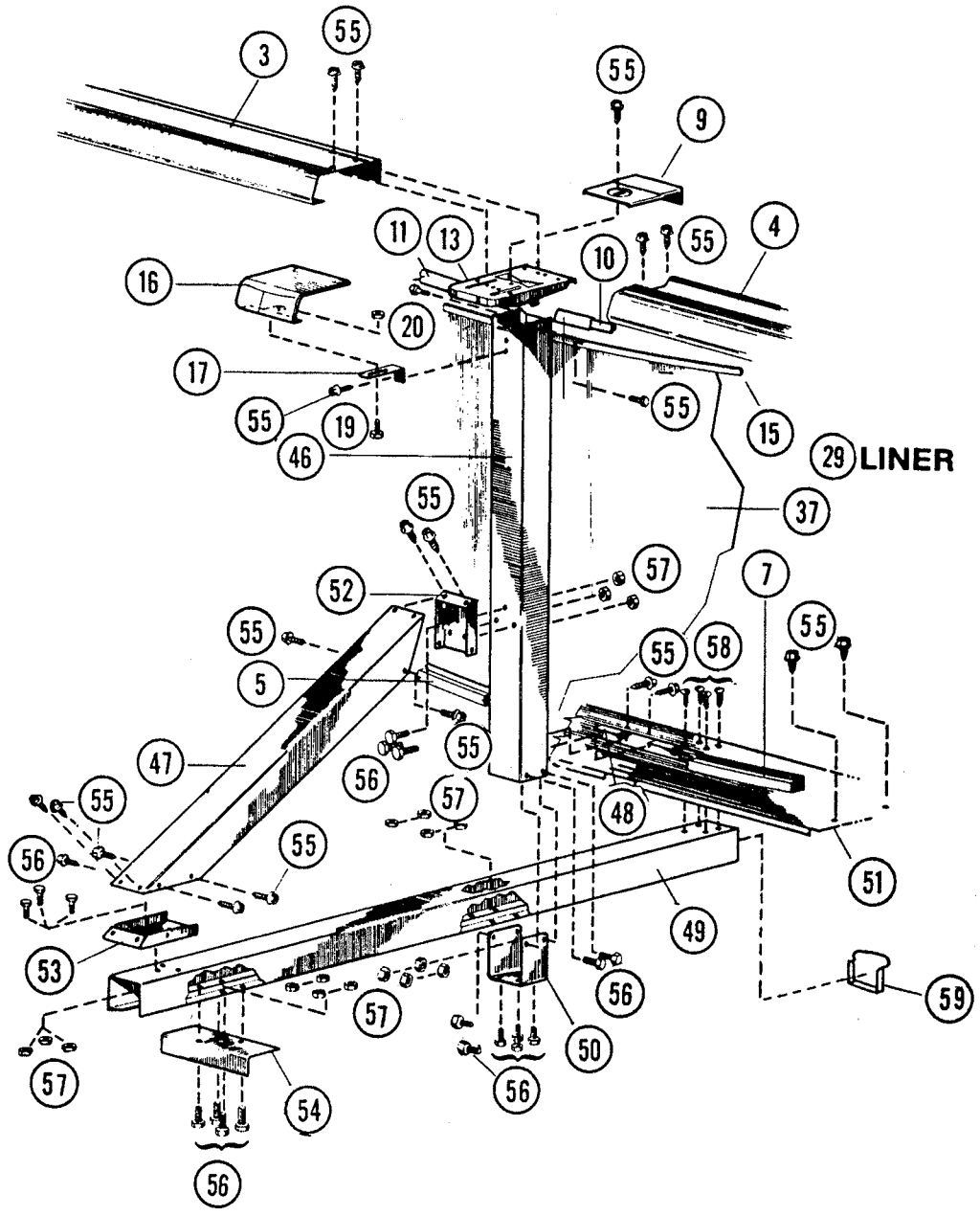
"the original portable pool"  
**doughboy**®

**Smoky Point - D/C**

**Buttress Oval Pool**

---





# Smoky Pointe - D/C Buttress Oval Pool — Parts List

ITEM #	DESCRIPTION	24' x 16' x 48"		28' x 16' x 48"		32' x 16' x 48"		40' x 16' x 48"	
		PART #	QTY.	PART #	QTY.	PART #	QTY.	PART #	QTY.
	<b>FRAME PACK "A" CARTON</b>	0-9646-009-C	1	0-9686-009-C	1	0-9626-009-C	1	0-9606-009-C	1
1.	Pool Parts List	573-2552	1	573-2552	1	573-2552	1	573-2552	1
2.	Pool Installation Instructions	573-2469	1	573-2469	1	573-2469	1	573-2469	1
3.	Side Top Rail	587-1213	2	587-1213	4	587-1213	6	587-1213	10
4.	Top Rail	587-1214	14	587-1214	14	587-1214	14	587-1214	14
5.	Side Rail (Stamped S)	589-1052	2	589-1052	4	589-1052	6	589-1052	10
6.	Bottom Rail (Stamped 16, 18 or 21)	589-1047	10	589-1047	10	589-1047	10	589-1047	10
7.	Transition Rail (Stamped TR)	589-1053	4	589-1053	4	589-1053	4	589-1053	4
8.	6" Outer Connector (Ends)	580-1620	12	580-1620	12	580-1620	12	580-1620	12
9.	Inner Connector	5186-1191	16	5186-1191	18	5186-1191	20	5186-1191	24
10.	Stabilizer Rail, small	583-1012	10	583-1012	10	583-1012	10	583-1012	10
11.	Stabilizer Rail, large	583-1011	10	583-1011	12	583-1011	14	583-1011	18
12.	Vertical Center Section	580-1624	12	580-1624	12	580-1624	12	580-1624	12
13.	Side Vertical Cap	580-1184	4	580-1184	6	580-1184	8	580-1184	12
14.	Vertical End Cap	580-1183	24	580-1183	24	580-1183	24	580-1183	24
15.	Coping, 24"	545-1001	34	545-1001	38	545-1001	42	545-1001	50
16.	Outer Connector, 6" x 3" (Side)	580-1622	4	580-1622	6	580-1622	8	580-1622	12
17.	Outer Connector Bracket	580-1197	4	580-1197	6	580-1197	8	580-1197	12
*18.	#10 x 3/8" Lg. Hex Washer Hd. Screw	510-1000	140	510-1000	138	510-1000	136	510-1000	132
*19.	Machine Screw, No. 10-24 x 1/2" pan head	510-1008	4	510-1008	6	510-1008	8	510-1008	12
*20.	Hex Nut, No. 10-24	420-1000	4	420-1000	6	420-1000	8	420-1000	12
21.	"Read Me First" Booklet	573-2417	1	573-2417	1	573-2417	1	573-2417	1
22.	"Enjoy Your Pool" Booklet	573-2124	1	573-2124	1	573-2124	1	573-2124	1
23.	"Safety First" Booklet	573-2418	1	573-2418	1	573-2418	1	573-2418	1
24.	"Children Aren't . . ." Brochure	573-2338	1	573-2338	1	573-2338	1	573-2338	1
25.	"Pool & Spa . . ." Brochure	573-2393	1	573-2393	1	573-2393	1	573-2393	1
26.	Warranty Card	565-1098	1	565-1098	1	565-1098	1	565-1098	1
27.	Product Registration Card	565-1117	1	565-1117	1	565-1117	1	565-1117	1
	<b>POOL LINER CARTON</b>								
28.	Chlorine/Winterizing Instructions	573-2421	1	573-2421	1	573-2421	1	573-2421	1
****29.	Pool Liner — 20 Mil (Standard)	0-2416-720	1	0-2816-720	1	0-3216-720	1	0-4016-720	1
30.	"Warning" Decal	560-1041	3	560-1041	3	560-1041	3	560-1041	3
31.	Warranty Card	565-1082	1	565-1082	1	565-1082	1	565-1082	1
**32.	Repair Patch	564-1000	1	564-1000	1	564-1000	1	564-1000	1
33.	"Deeper Area" Decal	560-1042	2	560-1042	2	560-1042	2	560-1042	2
34.	"Shallow" Decal	560-1043	3	560-1043	3	560-1043	3	560-1043	3
35.	"Read Me First" Booklet	573-2417	1	573-2417	1	573-2417	1	573-2417	1
	<b>SIDEWALL CARTON</b>								
36.	Joint Piece	580-1002	1	580-1002	1	580-1002	2	580-1002	2
37.	Sidewall	0-6908-046	1	0-6908-086	1	0-6908-026	2	0-6908-006	2
38.	Large Cover Plate	580-1658	1	580-1658	1	580-1658	2	580-1658	2
39.	Small Cover Plate	580-1659	1	580-1659	1	580-1659	2	580-1659	2
40.	Warranty Card	565-1098	1	565-1098	1	565-1098	2	565-1098	2
41.	"Warning" Sign	560-1046	1	560-1046	1	560-1046	2	560-1046	2
42.	"Read Me First" Booklet	573-2417	1	573-2417	1	573-2417	2	573-2417	2
43.	Black Marking Pen	332-1079	1	332-1079	1	332-1079	2	332-1079	2
44.	Adhesive Squares	310-1034	6	310-1034	6	310-1034	12	310-1034	12
44A.	Safety Video	573-2500	1	573-2500	1	573-2500	2	573-2500	2
	<b>FRAME PACK "B" CARTON</b>	0-9712-701	1	0-9712-701	1	0-9712-701	1	0-9712-701	1
45.	Vertical Side Section	580-1625	24	580-1625	24	580-1625	24	580-1625	24
	<b>SUPPORT PACK 4 — CARTON</b>	0-8888-010	1			0-8888-010	2		
	<b>SUPPORT PACK 6 — CARTON</b>			0-8888-011	1			0-8888-011	2
46.	Side Vertical	580-1657	4	580-1657	6	580-1657	8	580-1657	12
47.	Vertical Brace	580-1627	4	580-1627	6	580-1627	8	580-1627	12
48.	Bottom Rail Connector	580-1135	4	580-1135	6	580-1135	8	580-1135	12
49.	Horizontal Support	580-1275	4	580-1275	6	580-1275	8	580-1275	12
50.	Support Bracket	580-1136	4	580-1136	6	580-1136	8	580-1136	12
51.	Pressure Pad	580-1273	4	580-1273	6	580-1273	8	580-1273	12
52.	Brace, Connector — short	580-1628	4	580-1628	6	580-1628	8	580-1628	12
53.	Brace, Connector — long	580-1051	4	580-1051	6	580-1051	8	580-1051	12
54.	Skid Plate	580-1063	4	580-1063	6	580-1063	8	580-1063	12
*55.	#10 x 3/8" Lg. Hex Washer Hd. Screw	510-1000	92	510-1000	138	510-1000	184	510-1000	276
*56.	High Strength Bolt 1/4"-20 x 1/2", hex head	510-1018	72	510-1018	108	510-1018	144	510-1018	216
*57.	Hex Nut, 1/4-20	511-1000	72	511-1000	108	511-1000	144	511-1000	216
*58.	Hex Washer/Sheet Metal Screw, #12 x 3/4"	510-1035	16	510-1035	24	510-1035	32	510-1035	48
59.	Horizontal End Cap	580-1412	4	580-1412	6	580-1412	8	580-1412	12

\*Screws are available in most hardware stores.

\*\*For additional patch kits order Part No. 0-5604-000.

\*\*\*These stabilizers are 46 3/8" long and are used on ends only. P/N 583-1011 stabilizer (43 1/4" long) used on sides (8 required).

\*\*\*\*If you have received a liner other than the one listed above, write the number of your liner in the space provided. # \_\_\_\_\_

# Smoky Pointe - D/C Buttress Oval Pool — Parts List

ITEM #	DESCRIPTION	30' x 18' x 48"		34' x 18' x 48"		38' x 18' x 48"		41' x 21' x 48"	
		PART #	QTY.	PART #	QTY.	PART #	QTY.	PART #	QTY.
	<b>FRAME PACK "A" CARTON</b>	0-9608-009-C	1	0-9648-009-C	1	0-9688-009-C	1	0-9611-009-C	1
1.	Pool Parts List	573-2552	1	573-2552	1	573-2552	1	573-2552	1
2.	Pool Installation Instructions	573-2469	1	573-2469	1	573-2469	1	573-2469	1
3.	Side Top Rail	587-1213	4	587-1213	6	587-1213	8	587-1213	8
4.	Top Rail	587-1214	16	587-1214	16	587-1214	16	587-1214	18
5.	Side Rail (Stamped S)	589-1052	4	589-1052	6	589-1052	8	589-1052	8
6.	Bottom Rail (Stamped 16, 18 or 21)	589-1048	16	589-1048	16	589-1048	16	589-1049	14
7.	Transition Rail (Stamped TR)							589-1053	4
8.	6" Outer Connector (Ends)	580-1620	14	580-1620	14	580-1620	14	580-1620	16
9.	Inner Connector	5186-1191	20	5186-1191	22	5186-1191	24	5186-1191	26
10.	Stabilizer Rail, small	583-1012	10	583-1012	10	583-1012	10	***583-1004	12
11.	Stabilizer Rail, large	583-1011	14	583-1011	16	583-1011	18	***583-1005	10
12.	Vertical Center Section	580-1624	14	580-1624	14	580-1624	14	580-1624	16
13.	Side Vertical Cap	580-1184	6	580-1184	8	580-1184	10	580-1184	10
14.	Vertical End Cap	580-1183	28	580-1183	28	580-1183	28	580-1183	32
15.	Coping, 24"	545-1001	40	545-1001	44	545-1001	48	545-1001	53
16.	Outer Connector, 6" x 3" (Side)	580-1622	6	580-1622	8	580-1622	10	580-1622	10
17.	Outer Connector Bracket	580-1197	6	580-1197	8	580-1197	10	580-1197	10
*18.	#10 x 3/8" Lg. Hex Washer Hd. Screw	510-1000	168	510-1000	168	510-1000	168	510-1000	182
*19.	Machine Screw, No. 10-24 x 1/2" pan head	510-1008	6	510-1008	8	510-1008	10	510-1008	10
*20.	Hex Nut, No. 10-24	420-1000	6	420-1000	8	420-1000	10	420-1000	10
21.	"Read Me First" Booklet	573-2417	1	573-2417	1	573-2417	1	573-2417	1
22.	"Enjoy Your Pool" Booklet	573-2124	1	573-2124	1	573-2124	1	573-2124	1
23.	"Safety First" Booklet	573-2418	1	573-2418	1	573-2418	1	573-2418	1
24.	"Children Aren't . . ." Brochure	573-2338	1	573-2338	1	573-2338	1	573-2338	1
25.	"Pool & Spa . . ." Brochure	573-2393	1	573-2393	1	573-2393	1	573-2393	1
26.	Warranty Card	565-1098	1	565-1098	1	565-1098	1	565-1098	1
27.	Product Registration Card	565-1117	1	565-1117	1	565-1117	1	565-1117	1
	<b>POOL LINER CARTON</b>								
28.	Chlorine/Winterizing Instructions	573-2421	1	573-2421	1	573-2421	1	573-2421	1
***29.	Pool Liner — 20 Mil (Standard)	0-3418-720	1	0-3418-720	1	0-3818-720	1	0-4121-720	1
30.	"Warning" Decal	560-1041	3	560-1041	3	560-1041	3	560-1041	3
31.	Warranty Card	565-1082	1	565-1082	1	565-1082	1	565-1082	1
**32.	Repair Patch	564-1000	1	564-1000	1	564-1000	1	564-1000	1
33.	"Deeper Area" Decal	560-1042	2	560-1042	2	560-1042	2	560-1042	2
34.	"Shallow" Decal	560-1043	3	560-1043	3	560-1043	3	560-1043	3
35.	"Read Me First" Booklet	573-2417	1	573-2417	1	573-2417	1	573-2417	1
	<b>SIDEWALL CARTON</b>								
36.	Joint Piece	580-1002	2	580-1002	2	580-1002	2	580-1002	2
37.	Sidewall	0-6908-008	2	0-6908-048	2	0-6908-088	2	0-6908-011	2
38.	Large Cover Plate	580-1658	2	580-1658	2	580-1658	2	580-1658	2
39.	Small Cover Plate	580-1659	2	580-1659	2	580-1659	2	580-1659	2
40.	Warranty Card	565-1098	2	565-1098	2	565-1098	2	565-1098	2
41.	"Warning" Sign	560-1046	2	560-1046	2	560-1046	2	560-1046	2
42.	"Read Me First" Booklet	573-2417	2	573-2417	2	573-2417	2	573-2417	2
43.	Black Marking Pen	332-1079	2	332-1079	2	332-1079	2	332-1079	2
44.	Adhesive Squares	310-1034	12	310-1034	12	310-1034	12	310-1034	12
44A.	Safety Video	573-2500	2	573-2500	2	573-2500	2	573-2500	2
	<b>FRAME PACK "B" CARTON</b>	0-9714-701	1	0-9714-701	1	0-9714-701	1	0-9716-701	1
45.	Vertical Side Section	580-1625	28	580-1625	28	580-1625	28	580-1625	32
	<b>SUPPORT PACK 4 — CARTON</b>			0-8888-010	2	0-8888-010	1	0-8888-010	1
	<b>SUPPORT PACK 6 — CARTON</b>	0-8888-011	1			0-8888-011	1	0-8888-011	1
46.	Side Vertical	580-1657	6	580-1657	8	580-1657	10	580-1657	10
47.	Vertical Brace	580-1627	6	580-1627	8	580-1627	10	580-1627	10
48.	Bottom Rail Connector	580-1135	6	580-1135	8	580-1135	10	580-1135	10
49.	Horizontal Support	580-1275	6	580-1275	8	580-1275	10	580-1275	10
50.	Support Bracket	580-1136	6	580-1136	8	580-1136	10	580-1136	10
51.	Pressure Pad	580-1273	6	580-1273	8	580-1273	10	580-1273	10
52.	Brace, Connector — short	580-1628	6	580-1628	8	580-1628	10	580-1628	10
53.	Brace, Connector — long	580-1051	6	580-1051	8	580-1051	10	580-1051	10
54.	Skid Plate	580-1063	6	580-1063	8	580-1063	10	580-1063	10
*55.	#10 x 3/8" Lg. Hex Washer Hd. Screw	510-1000	138	510-1000	184	510-1000	230	510-1000	230
*56.	High Strength Bolt 1/4"-20 x 1/2", hex head	510-1018	108	510-1018	144	510-1018	180	510-1018	180
*57.	Hex Nut, 1/4"-20	511-1000	108	511-1000	144	511-1000	180	511-1000	180
*58.	Hex Washered/Sheet Metal Screw, #12 x 3/4"	510-1035	24	510-1035	32	510-1035	40	510-1035	40
59.	Horizontal End Cap	580-1412	6	580-1412	8	580-1412	10	580-1412	10

\*Screws are available in most hardware stores.

\*\*For additional patch kits order Part No. 0-5604-000.

\*\*\*These stabilizers are 46 3/8" long and are used on ends only. P/N 583-1011 stabilizer (43 1/4" long) used on sides (8 required).

\*\*\*\*If you have received a liner other than the one listed above, write the number of your liner in the space provided. # \_\_\_\_\_