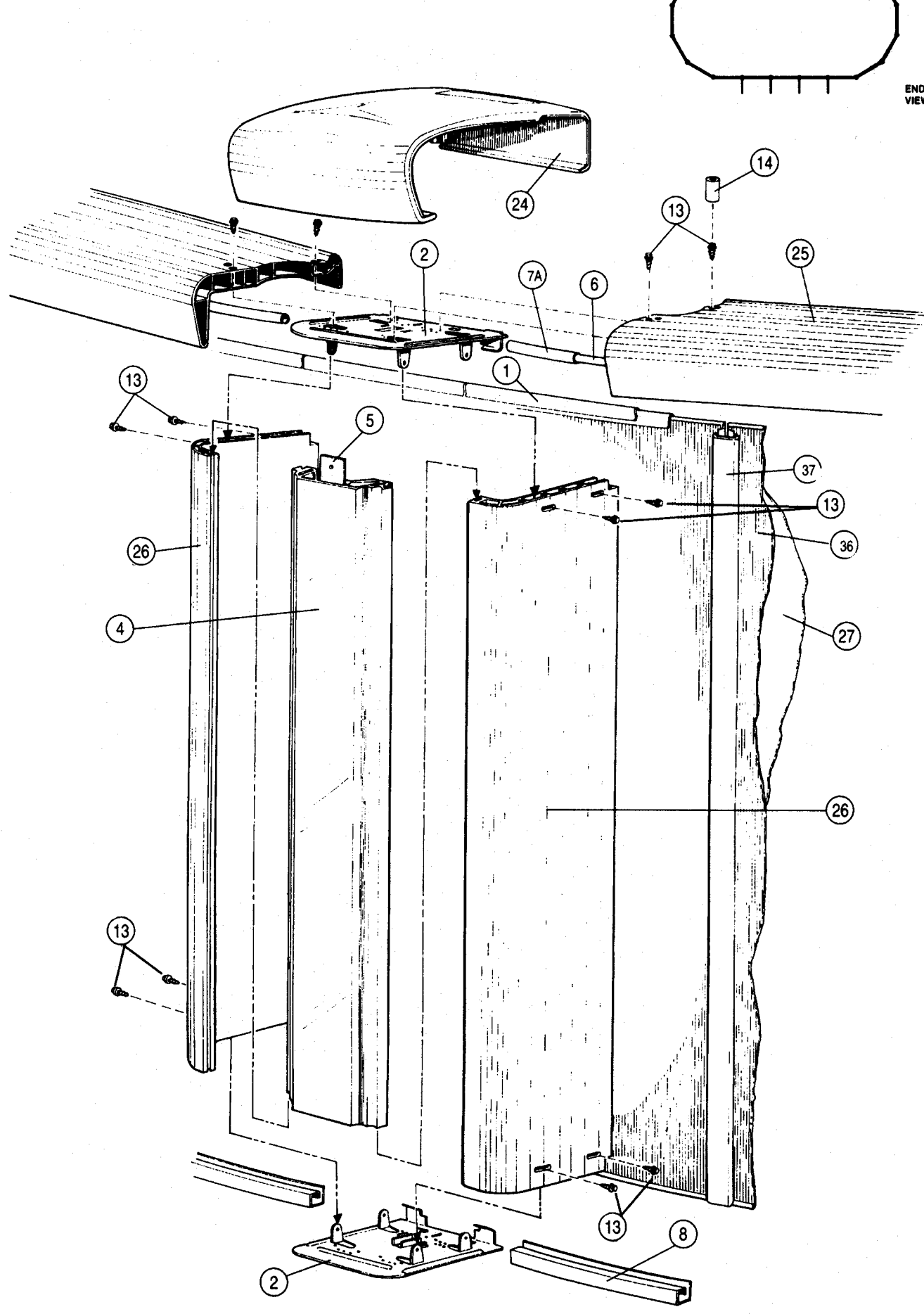
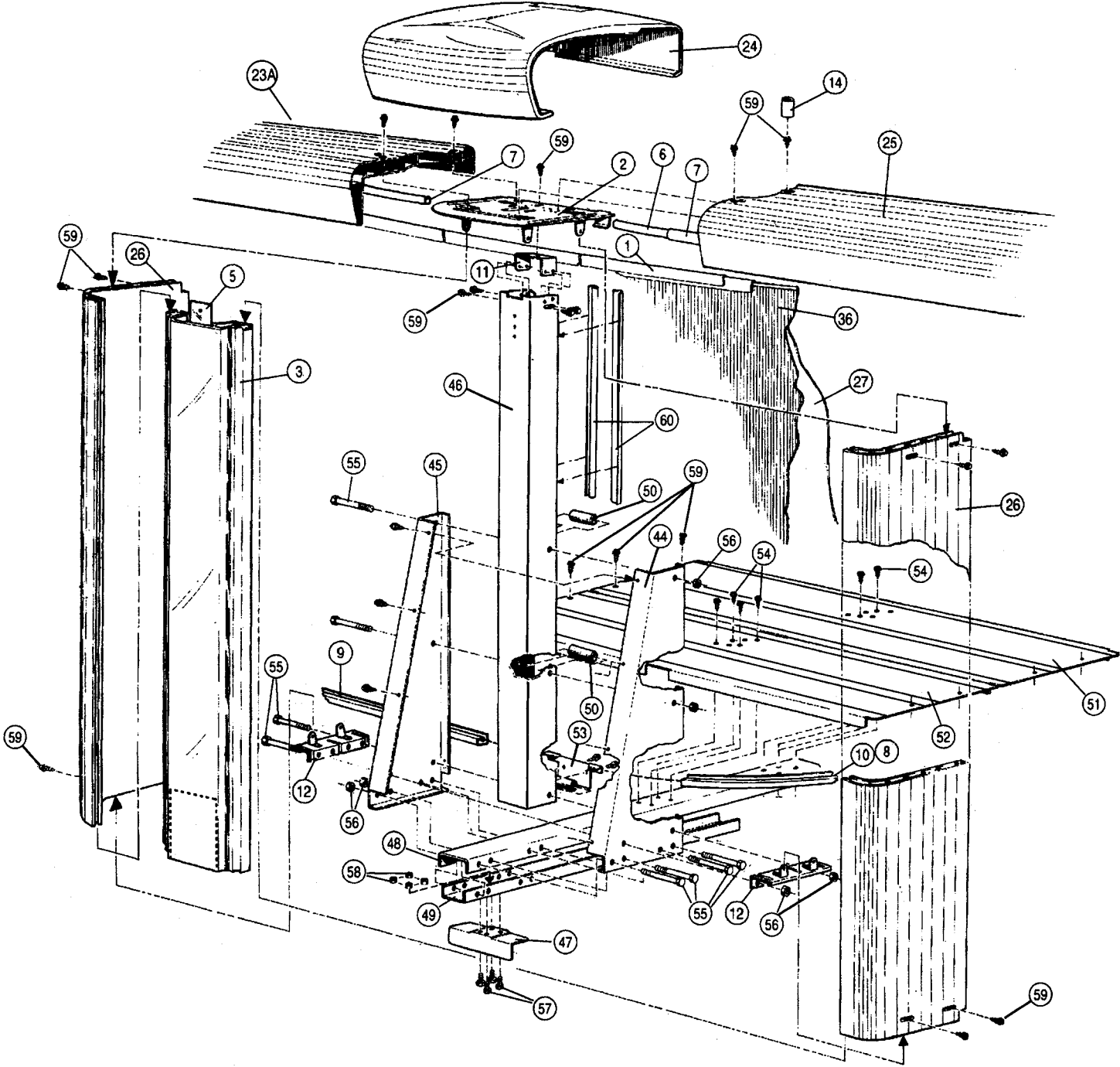


the original portable pool  
**doughboy**

# Signature Series

10-1/2" Top Rail Oval Pool





573-2840

# Signature Series Oval Pool — Parts List

ITEM #	DESCRIPTION	24' x 12' x 48"		24' x 16' x 48"		32' x 16' x 48"		34' x 18' x 48"		41' x 21' x 48"	
		PART#	QTY.	PART#	QTY.	PART#	QTY.	PART#	QTY.	PART #	QTY.
	<b>ASSEMBLY PACK</b>	0-9942-001	1	0-9946-001	1	0-9926-001	1	0-9948-001	1	0-9911-001	1
1.	Plastic Coping 24"	545-1001	33	545-1001	36	545-1001	44	545-1001	46	545-1001	55
2.	Vertical End Cap 10-1/2"	580-1775	26	580-1775	28	580-1775	32	580-1775	36	580-1775	42
3.	Vertical Center Section-Side	341-1255	6	341-1255	4	341-1255	8	341-1255	8	341-1255	10
4.	Vertical Center Section-End	341-1271	10	341-1271	12	341-1271	12	341-1271	14	341-1271	16
5.	Fencing Strip	580-1798	16	580-1798	16	580-1798	20	580-1798	22	580-1798	26
6.	Stabilizer Rail-Small	583-1012	8	583-1012	10	583-1012	10	583-1012	10	***583-1004	12
7.	Stabilizer Rail-Large	—	—	—	—	—	—	—	—	***583-1005	10
7A.	Stabilizer Rail - Large	583-1011	12	583-1011	10	583-1011	14	583-1011	16	583-1011	8
8.	Bottom Rail (Stamped 16,18 or 21)	589-1046	12	589-1047	10	589-1047	10	589-1048	16	589-1049	14
9.	Side Rail (Stamped S)	589-1052	4	589-1052	2	589-1052	6	589-1052	6	589-1052	8
10.	Transition Rail (Stamped TR)	—	—	589-1053	4	589-1053	4	—	—	589-1053	4
11.	Side Vertical Bracket	580-1784	6	580-1784	4	580-1784	8	580-1784	8	580-1784	10
12.	Side Vertical Bottom Cap	580-1776	12	580-1776	8	580-1776	16	580-1776	16	580-1776	20
*13.	Sheet Metal Screw #10x3/8"	510-1000	222	510-1000	212	510-1000	280	510-1000	304	510-1000	362
14.	Magnetic Socket 5/16"	317-1016	1	317-1016	1	317-1016	1	317-1016	1	317-1016	1
15.	Pool Parts List	573-2840	1	573-2840	1	573-2840	1	573-2840	1	573-2840	1
16.	Pool Installation Instructions	573-2841	1	573-2841	1	573-2841	1	573-2841	1	573-2841	1
17.	"Read Me First" Booklet	573-2777	1	573-2777	1	573-2777	1	573-2777	1	573-2777	1
18.	"Enjoy Your Pool" Booklet	573-2743	1	573-2743	1	573-2743	1	573-2743	1	573-2743	1
19.	"Safety First" Booklet	573-2778	1	573-2778	1	573-2778	1	573-2778	1	573-2778	1
20.	"Children Aren't" Booklet	573-2338	1	573-2338	1	573-2338	1	573-2338	1	573-2338	1
21.	"Pool and Spa" Booklet	573-2393	1	573-2393	1	573-2393	1	573-2393	1	573-2393	1
22.	Warranty Card	—	1	—	1	—	1	—	1	—	1
23.	Product Registration Card	565-1117	1	565-1117	1	565-1117	1	565-1117	1	565-1117	1
23A.	Top Rail (Common)	587-1292	4	—	—	—	—	—	—	—	—
	<b>TOP CONNECTOR PACK</b>	0-9999-016	1	0-9999-016	1	0-9999-020	1	0-9999-022	1	0-9999-026	1
24.	Top Connector	5188-0046	16	5188-0046	16	5188-0046	20	5188-0046	22	5188-0046	26
	<b>TOP RAIL PACK</b>	0-9821-000	1	0-9808-000	2	0-9810-000	2	0-9806-000	1	0-9808-000	2
	<b>TOP RAIL PACK</b>	—	—	—	—	—	—	0-9808-000	2	0-9810-000	1
25.	Top Rail	587-1293	12	587-1292	16	587-1292	20	587-1292	22	587-1292	26
	<b>VERTICAL PACK</b>	0-9708-000	2	0-9708-000	2	0-9710-000	2	0-9706-000	1	0-9708-000	2
	<b>VERTICAL PACK</b>	—	—	—	—	—	—	0-9708-000	2	0-9710-000	1
26.	Vertical Side Section	341-1253	32	341-1253	32	341-1253	40	341-1253	44	341-1253	52
	<b>POOL LINER CARTON</b>										
****27.	Pool Liner	0-2412-XXX	1	0-2416-XXX	1	0-3216-XXX	1	0-3418-XXX	1	0-4121-XXX	1
28.	Chionne/Winterizing Instructions	573-2421	1	573-2421	1	573-2421	1	573-2421	1	573-2421	1
29.	"Warning" Decal	560-1041	3	560-1041	3	560-1041	3	560-1041	3	560-1041	3
30.	Warranty Card - Liner	—	1	—	1	—	1	—	1	—	1
**31.	Repair Patch	564-1000	1	564-1000	1	564-1000	1	564-1000	1	564-1000	1
32.	"Deeper Area" Decal	560-1042	2	560-1042	2	560-1042	2	560-1042	2	560-1042	2
33.	"Shallow" Decal	560-1043	3	560-1043	3	560-1043	3	560-1043	3	560-1043	3
34.	"Read Me First" Booklet	573-2777	1	573-2777	1	573-2777	1	573-2777	1	573-2517	1
35.	Installation Insert Sheet	369-1145	1	369-1145	1	369-1145	1	369-1145	1	369-1145	1
	<b>SIDEWALL CARTON</b>										
36.	Sidewall	0-0608-042	1	0-0608-046	1	0-0608-026	2	0-0608-048	2	0-0608-011	2
37.	Joint Piece	580-1002	1	580-1002	1	580-1002	2	580-1002	2	580-1002	2
38.	Large Cover Plate	—	—	—	—	580-1799	2	580-1799	2	580-1799	2
39.	Small Cover Plate	—	—	—	—	580-1800	2	580-1800	2	580-1800	2
40.	"Warning" Sign	560-1046	1	560-1046	1	560-1046	2	560-1046	2	560-1046	2
41.	"Read Me First" Booklet	573-2777	1	573-2777	1	573-2777	2	573-2777	2	573-2777	2
42.	Adhesive Squares	310-1034	6	310-1034	6	310-1034	12	310-1034	12	310-1034	12
43.	Safety Video	573-2500	1	573-2500	1	573-2500	2	573-2500	2	573-2500	2

\* Screws are available in most hardware stores.

\*\* For additional patch kits, order part number 0-5604-000.

\*\*\* These stabilizer rails are for the ends only. P/N 583-1011 is used on the side.

\*\*\*\* Write the number of your liner in the spaces here and above. # \_\_\_\_\_

# Signature Series Oval Pool — Parts List

ITEM #	DESCRIPTION	24' x 12' x 48"		24' x 16' x 48"		32' x 16' x 48"		34' x 18' x 48"		41' x 21' x 48"	
		PART#	QTY.	PART#	QTY.	PART#	QTY.	PART#	QTY.	PART #	QTY.
	<b>SUPPORT PACK 2 - CARTON</b>	0-8888-062	1	—	—	—	—	—	—	0-8888-062	1
	<b>SUPPORT PACK 4 - CARTON</b>	0-8888-064	1	0-8888-064	1	0-8888-064	2	0-8888-064	2	0-8888-064	2
44.	Vertical Brace - Right	580-1837	6	580-1837	4	580-1837	8	580-1837	8	580-1837	10
45.	Vertical Brace - Left	580-1839	6	580-1839	4	580-1839	8	580-1839	8	580-1839	10
46.	Support Vertical	580-1849	6	580-1849	4	580-1849	8	580-1849	8	580-1849	10
47.	Skid Support	580-1779	6	580-1779	4	580-1779	8	580-1779	8	580-1779	10
48.	Ground Support - Top	580-1851	6	580-1851	4	580-1851	8	580-1851	8	580-1851	10
49.	Ground Support - Bottom	580-1852	6	580-1852	4	580-1852	8	580-1852	8	580-1852	10
50.	Vertical Spacer	341-1257	18	341-1257	12	341-1257	24	341-1257	24	341-1257	30
51.	Pressure Pad - Outside	580-1869	6	580-1869	4	580-1869	8	580-1869	8	580-1869	10
52.	Pressure Pad - Side Vertical	580-1870	6	580-1870	4	580-1870	8	580-1870	8	580-1870	10
53.	Bottom Rail Locator	580-1792	6	580-1792	4	580-1792	8	580-1792	8	580-1792	10
54.	Sheet Metal Screw #12x3/4"	510-1035	36	510-1035	24	510-1035	48	510-1035	48	510-1035	60
55.	Hex Head Bolt 3/8-16x3-1/2"	330-1220	48	330-1220	32	330-1220	64	330-1220	64	330-1220	80
56.	Hex Nut 3/8-16	321-1069	48	321-1069	32	321-1069	64	321-1069	64	321-1069	80
57.	Hex Head Screw 1/4-20x1/2"	510-1018	24	510-1018	16	510-1018	32	510-1018	32	510-1018	40
58.	Hex Nut 1/4x20	511-1000	24	511-1000	16	511-1000	32	511-1000	32	511-1000	40
59.	Sheet Metal Screw #10x3/8"	510-1000	54	510-1000	36	510-1000	72	510-1000	72	510-1000	90
60.	Side Vertical Shim	341-1274	12	341-1274	8	341-1274	16	341-1274	16	341-1274	20