

"the original portable pool"

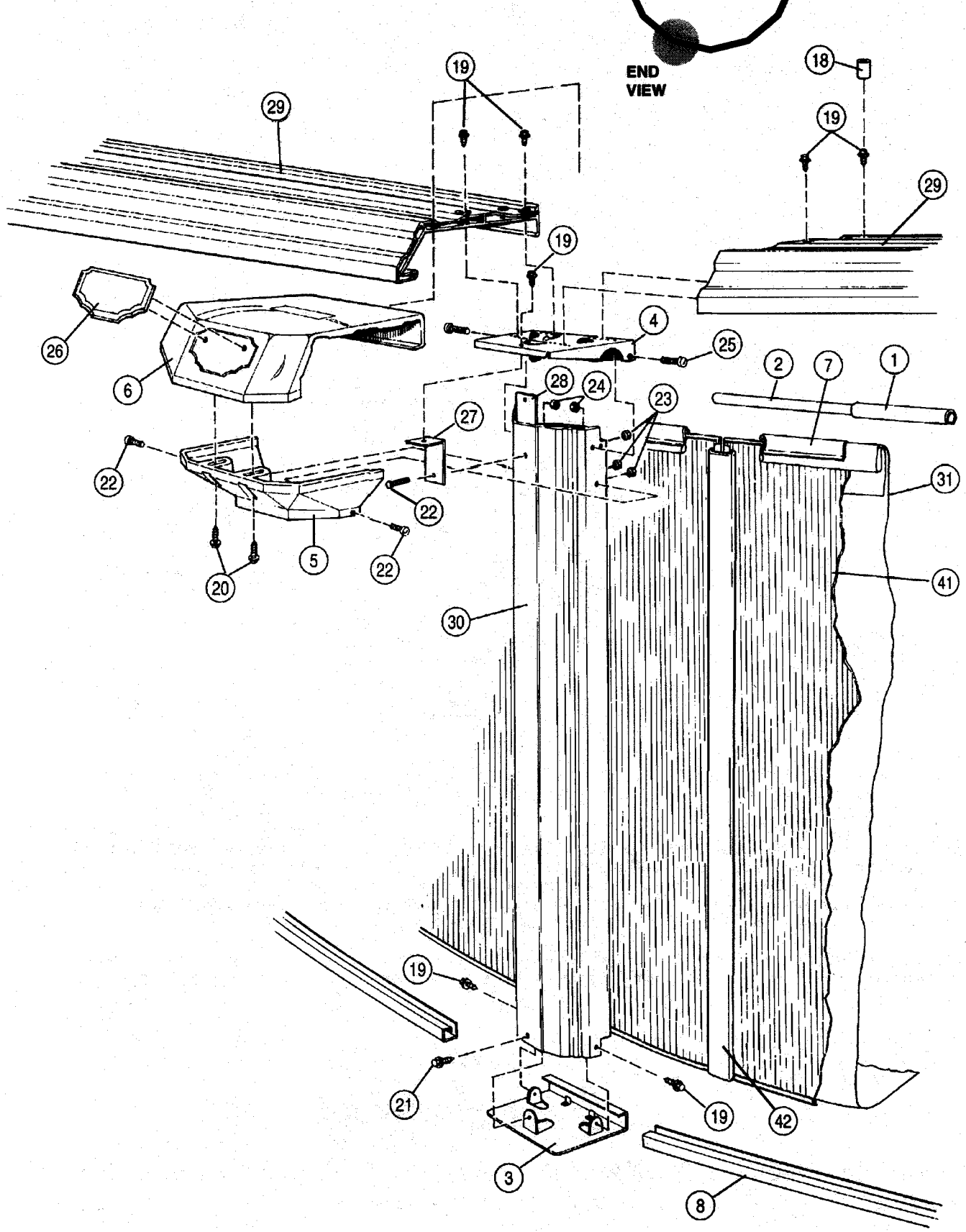
**doughboy®**

# Shadowlands

## Round Pool

---

---



# Shadowlands Round Pool - Parts List

ITEM #	DESCRIPTION	12' x 52"		16' x 52"		18' x 52"		21' x 52"		24' x 52"	
		PART#	QTY.	PART#	QTY.	PART#	QTY.	PART#	QTY.	PART#	QTY.
	<b>ASSEMBLY PACK</b>	0-9912-800	1	0-9916-800	1	0-9918-800	1	0-9921-800	1	0-9924-800	1
1.	Stabilizer Rail - Large	583-1011	6	583-1011	8	583-1011	9	583-1005	10	583-1005	11
2.	Stabilizer Rail - Small	583-1012	6	583-1012	8	583-1012	9	583-1004	10	583-1004	11
3.	Bottom Connector	580-1343	10	580-1343	12	580-1343	14	580-1343	16	580-1343	18
4.	Vertical Top Cap	580-1907	10	580-1907	12	580-1907	14	580-1907	16	580-1907	18
5.	Vertical Skirt	340-2015	10	340-2015	12	340-2015	14	340-2015	16	340-2015	18
6.	Top Connector	5188-0055	10	5188-0055	12	5188-0055	14	5188-0055	16	5188-0055	18
7.	Plastic Coping	545-1001	22	545-1001	28	545-1001	31	545-1001	35	545-1001	40
8.	Bottom Rail	589-1133	10	589-1203	12	589-1136	14	589-1137	16	589-1138	18
9.	Installation Instructions	573-2828	1	573-2828	1	573-2828	1	573-2828	1	573-2828	1
10.	Warranty Card	565-1141	1	565-1141	1	565-1141	1	565-1141	1	565-1141	1
11.	Product Registration Card	565-1117	1	565-1117	1	565-1117	1	565-1117	1	565-1117	1
12.	Pool Parts List	573-2835	1	573-2835	1	573-2835	1	573-2835	1	573-2835	1
13.	Book - "Read Me First"	573-2777	1	573-2777	1	573-2777	1	573-2777	1	573-2777	1
14.	Book - "Sensible Way..."	573-2743	1	573-2743	1	573-2743	1	573-2743	1	573-2743	1
15.	Book - "Safety First"	573-2778	1	573-2778	1	573-2778	1	573-2778	1	573-2778	1
16.	Brochure - "Children Aren't..."	573-2338	1	573-2338	1	573-2338	1	573-2338	1	573-2338	1
17.	Brochure - "Pool and Spa..."	573-2393	1	573-2393	1	573-2393	1	573-2393	1	573-2393	1
18.	Magnetic Socket - 5/16"	317-1016	1	317-1016	1	317-1016	1	317-1016	1	317-1016	1
19.	Sheet Metal Screw #10 x 3/8"	510-1000	70	510-1000	84	510-1000	98	510-1000	112	510-1000	126
20.	Screw #10-16 x 5/8"	330-1057	20	330-1057	24	330-1057	28	330-1057	32	330-1057	36
21.	Sheet Metal Screw #10 x 1/2"	330-1127	10	330-1127	12	330-1127	14	330-1127	16	330-1127	18
22.	Washer Head Screw #10 - 24 x 3/4"	330-1088	30	330-1088	36	330-1088	42	330-1088	48	330-1088	54
23.	Kep Nut #10 - 24	321-1070	30	321-1070	36	321-1070	42	321-1070	48	321-1070	54
24.	Kep Nut 1/4" - 20	432-1000	20	432-1000	24	432-1000	28	432-1000	32	432-1000	36
25.	Screw 1/4" - 20 x 1/2"	330-1072	20	330-1072	24	330-1072	28	330-1072	32	330-1072	36
26.	Plaque - Top Connector	340-1877	10	340-1877	12	340-1877	14	340-1877	16	340-1877	18
27.	Vertical Tab	580-1460	10	580-1460	12	580-1460	14	580-1460	16	580-1460	18
28.	Fencing Strip	580-1925	10	580-1925	12	580-1925	14	580-1925	16	580-1925	18
	<b>TOP RAIL PACK</b>	0-9801-800	1	0-9812-800	1	0-9841-800	1	0-9816-800	1	0-9818-800	1
29.	Top Rail	587-1354	10	587-1355	12	587-1354	14	587-1355	16	587-1355	18
	<b>VERTICAL PACK</b>	0-9710-800	1	0-9712-800	1	0-9714-800	1	0-9716-800	1	0-9718-800	1
30.	Vertical	341-1351	10	341-1351	12	341-1351	14	341-1351	16	341-1351	18
	<b>VINYL LINER CARTON</b>										
*31.	Liner	0-1248-726-	1	0-1648-726-	1	0-1848-726-	1	0-2148-726-	1	0-2448-726-	1
32.	Warranty Card	---	1	---	1	---	1	---	1	---	1
**33.	Repair Patch	564-1000	1	564-1000	1	564-1000	1	564-1000	1	564-1000	1
34.	Warning Decal	560-1041	3	560-1041	1	560-1041	1	560-1041	1	560-1041	1
35.	Decal - Shallow - 3 ft. 10 in.	560-1056	3	560-1056	3	560-1056	3	560-1056	3	560-1056	3
36.	Book - "Read Me First"	573-2777	1	573-2777	1	573-2777	1	573-2777	1	573-2777	1
37.	"Deeper Area" Decal	560-1042	2	560-1042	2	560-1042	2	560-1042	2	560-1042	2
38.	Chlorine and Winterizing Instruct.	573-2421	1	573-2421	1	573-2421	1	573-2421	1	573-2421	1
39.	Installation Insert Sheet	369-1145	1	369-1145	1	369-1145	1	369-1145	1	369-1145	1
40.	Shallow Decal Insert Sheet	369-1216	1	369-1216	1	369-1216	1	369-1216	1	369-1216	1
	<b>SIDEWALL CARTON</b>										
41.	Sidewall	0-0852-012	1	0-0852-016	1	0-0852-018	1	0-0852-021	1	0-0852-024	1
42.	Joint Piece	580-1914	1	580-1914	1	580-1914	1	580-1914	1	580-1914	1
43.	Warning Sign	560-1046	1	560-1046	1	560-1046	1	560-1046	1	560-1046	1
44.	Book - "Read Me First"	573-2777	1	573-2777	1	573-2777	1	573-2777	1	573-2777	1
45.	Adhesive Square	310-1034	6	310-1034	6	310-1034	6	310-1034	6	310-1034	6
46.	Safety Video	573-2500	1	573-2500	1	573-2500	1	573-2500	1	573-2500	1

\* Write the number of your liner in the spaces provided here and above \_\_\_\_\_

\*\* For additional patch kits, order no. 0-5604-000.