



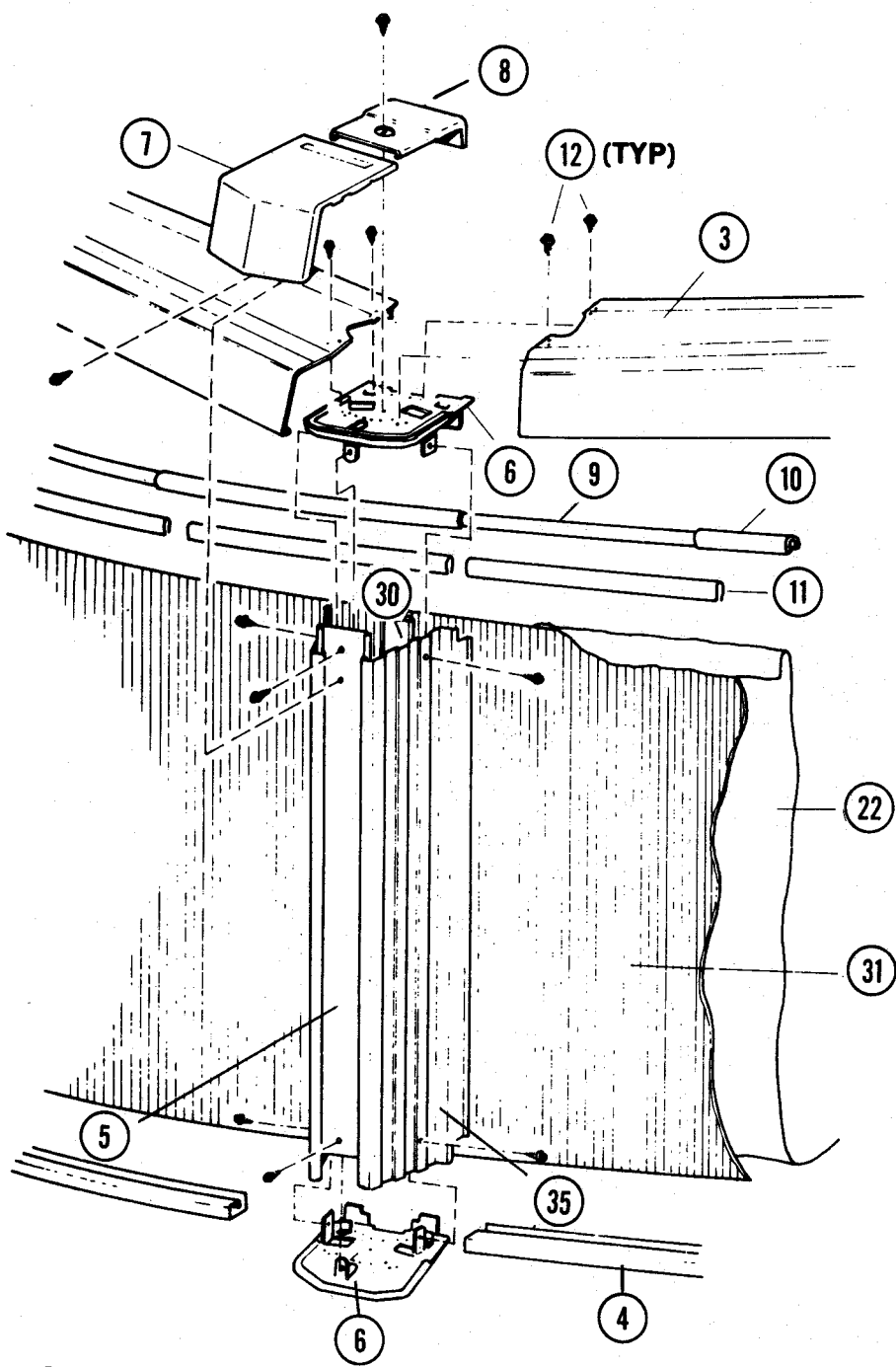
"the original portable pool"

doughboy[®]

Seawind

Round Pool

Parts List



PARTS LIST

ITEM #	DESCRIPTION	16' x 48''		18' x 48''		21' x 48''		24' x 48''		28' x 48''	
		PART #	QTY.	PART #	QTY.	PART #	QTY.	PART #	QTY.	PART #	QTY.
	FRAME PACK "A" CARTON	0-9616-008	1	0-9618-008	1	0-9621-008	1	0-9624-008	1	0-9628-008	1
1.	Parts List	573-2363	1	573-2363	1	573-2363	1	573-2363	1	573-2363	1
2.	Pool Assy./Installation Instructions	573-2367	1	573-2367	1	573-2367	1	573-2367	1	573-2367	1
3.	Top Rail	587-1110	12	587-1110	14	587-1110	16	587-1110	18	587-1110	21
4.	Bottom Rail	589-1047	12	589-1048	14	589-1049	16	589-1050	18	589-1051	21
5.	Vertical Center Section	580-1365	12	580-1365	14	580-1365	16	580-1365	18	580-1365	21
6.	Vertical End Cap	580-1183	24	580-1183	28	580-1183	32	580-1183	36	580-1183	42
7.	6" Outer Connector	580-1543	12	580-1543	14	580-1543	16	580-1543	18	580-1543	21
8.	Inner Connector	5186-1153	12	5186-1153	14	5186-1153	16	5186-1153	18	5186-1153	21
9.	Stabilizer Rail, small dia.	583-1012	8	583-1012	9	583-1004	10	583-1004	11	583-1004	13
10.	Stabilizer Rail, large dia.	583-1011	8	583-1011	9	583-1005	10	583-1005	11	583-1005	13
11.	Plastic Coping, 24"	545-1001	26	545-1001	28	545-1001	33	545-1001	38	545-1001	44
*12.	#10 x 3/8" Lg. Hex Washer Hd. Screw	510-1000	144	510-1000	168	510-1000	192	510-1000	216	510-1000	252
13.	Booklet — Enjoy Your Pool	573-2124	1	573-2124	1	573-2124	1	573-2124	1	573-2124	1
14.	Safety First Handbook	573-2370	1	573-2370	1	573-2370	1	573-2370	1	573-2370	1
15.	Brochure — Night Swimming & Lighting	573-2334	1	573-2334	1	573-2334	1	573-2334	1	573-2334	1
16.	Brochure — Children Aren t	573-2338	1	573-2338	1	573-2338	1	573-2338	1	573-2338	1
16A.	Brochure — Pool & Spa	573-2393	1	573-2393	1	573-2393	1	573-2393	1	573-2393	1
17.	"Danger" Sign	560-1035	1	560-1035	1	560-1035	1	560-1035	1	560-1035	1
18.	Adhesive Square	310-1034	4	310-1034	4	310-1034	4	310-1034	4	310-1034	4
19.	Warranty Card	565-1072	1	565-1072	1	565-1072	1	565-1072	1	565-1072	1
20.	Product Registration Card	565-1073	1	565-1073	1	565-1073	1	565-1073	1	565-1073	1
	POOL LINER CARTON										
21.	Chlorine/Winterizing Instructions	369-1134	1	369-1134	1	369-1134	1	369-1134	1	369-1134	1
***22.	Pool Liner — 20 Mil (Standard)	0-1648-720	1	0-1848-720	1	0-2148-720	1	0-2448-720	1	0-2848-720	1
23.	Danger Decal	560-1036	2	560-1036	2	560-1036	2	560-1036	2	560-1036	2
24.	Warranty Card	565-1062	1	565-1062	1	565-1062	1	565-1062	1	565-1062	1
**25.	Repair Patch	564-1000	1	564-1000	1	564-1000	1	564-1000	1	564-1000	1
26.	"Danger Deep Area" Label	560-1037	2	560-1037	2	560-1037	2	560-1037	2	560-1037	2
27.	Danger — Shallow 3/2 Ft.	560-1034	4	560-1034	4	560-1034	4	560-1034	4	560-1034	4
28.	Danger Decal Installation Inst.	369-1133	1	369-1133	1	369-1133	1	369-1133	1	369-1133	1
	SIDEWALL CARTON										
29.	Danger Decal	560-1036	2	560-1036	2	560-1036	2	560-1036	2	560-1036	2
30.	Joint Piece	580-1002	1	580-1002	1	580-1002	1	580-1002	1	580-1002	1
31.	Sidewall—Seawind	0-0208-016	1	0-0208-018	1	0-0208-021	1	0-0208-024	1	0-0208-028	1
32.	Large Cover Plate—Seawind	580-1371	1	580-1371	1	580-1371	1	580-1371	1	580-1371	1
33.	Small Cover Plate—Seawind	580-1374	1	580-1374	1	580-1374	1	580-1374	1	580-1374	1
34.	Warranty Card	565-1072	1	565-1072	1	565-1072	1	565-1072	1	565-1072	1
	Danger Decal Installation Inst.	369-1133	1	369-1133	1	369-1133	1	369-1133	1	369-1133	1
	FRAME PACK "B" CARTON	0-9699-008	1	0-9618-018	1	0-9621-018	1	0-9624-018	1	0-9628-018	1
35.	Vertical Side Section	580-1366	24	580-1366	28	580-1366	32	580-1366	36	580-1366	42

*Screws are available in most hardware stores.

**For additional patch kits order Part No. 5604-00.

***If you have received a liner other than the one listed above, write the number of your liner in the space provided. # _____

2363