



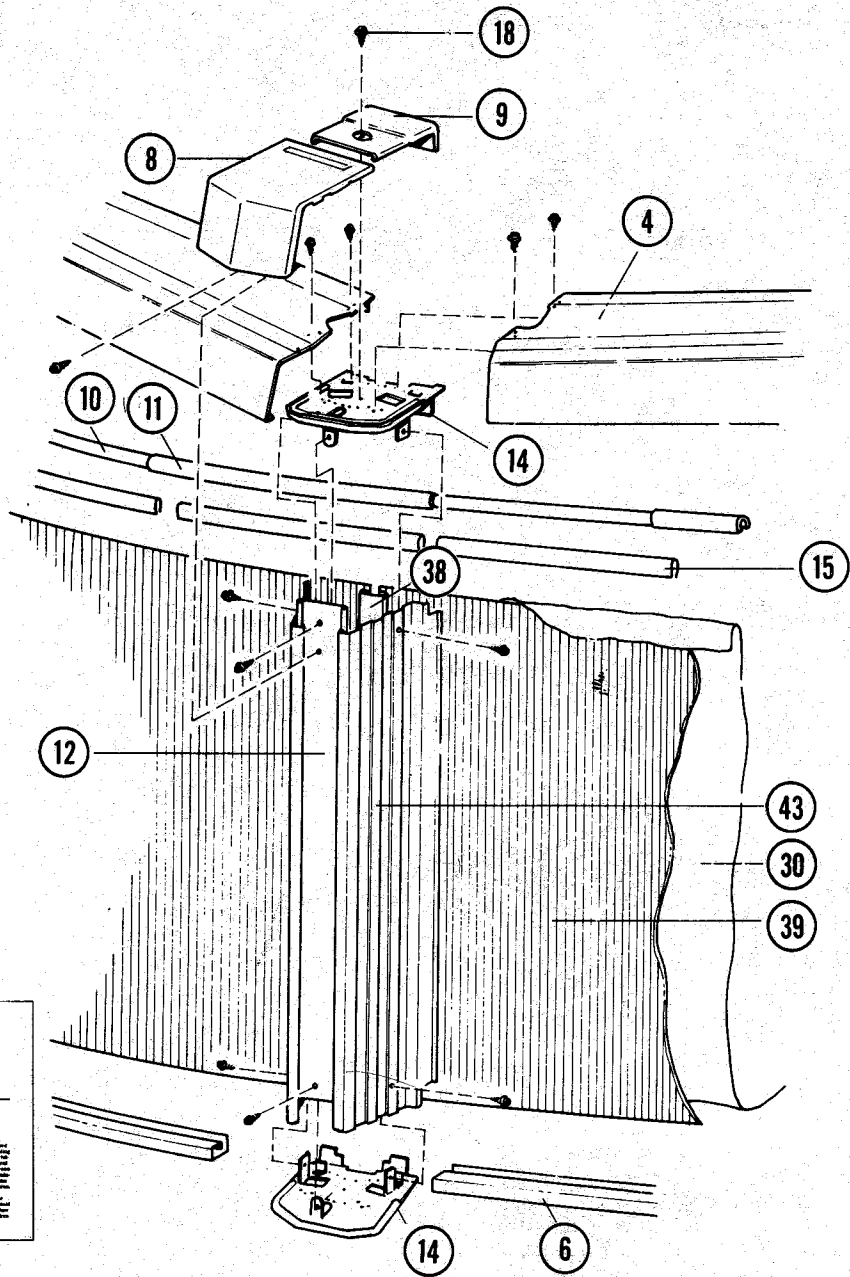
"the original portable pool"

doughboy[®]

Seawind

Buttress Oval Pool

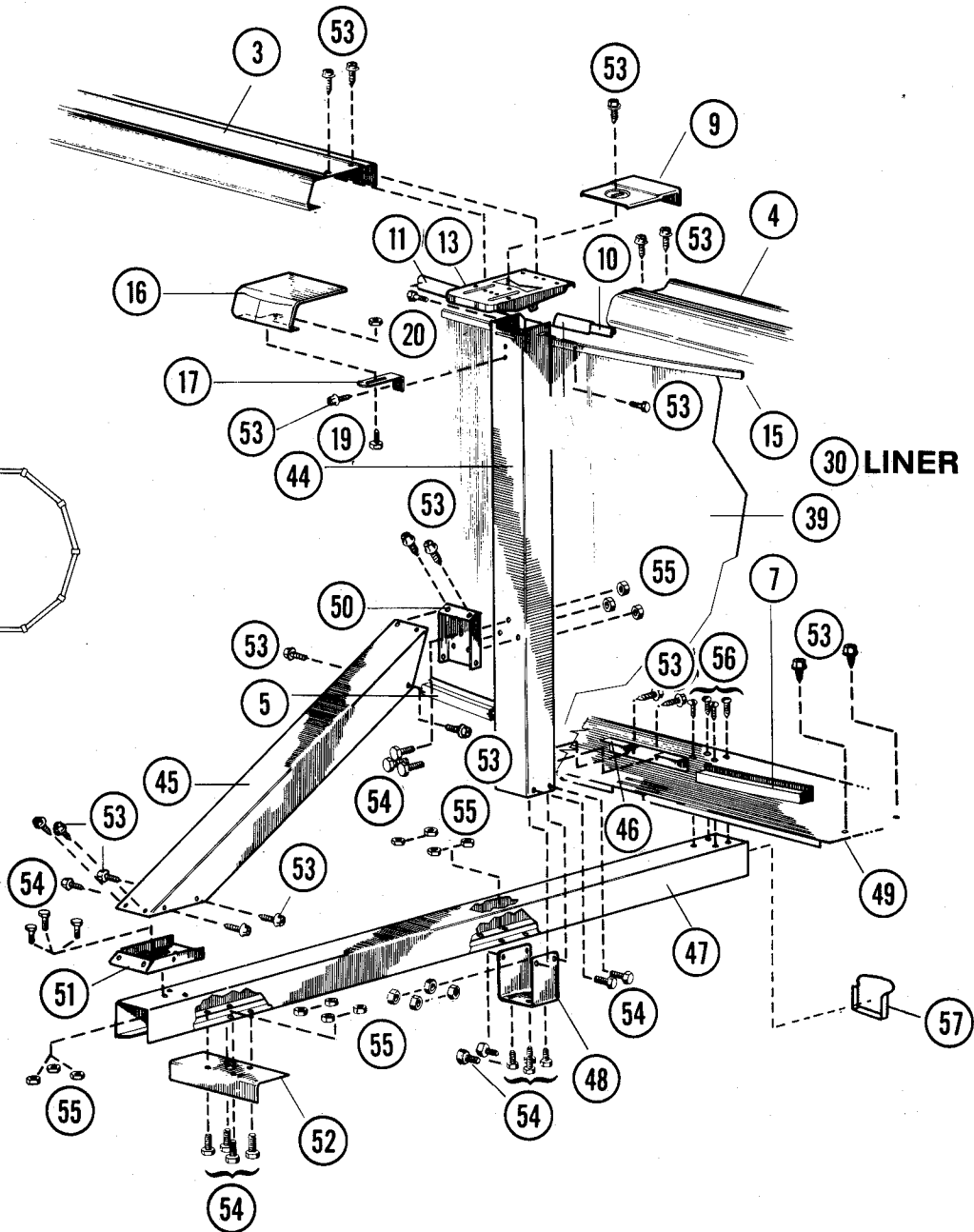
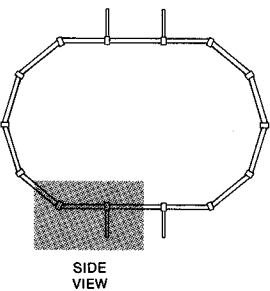
Parts List



24A

**Use and Stop
Emergency
Procedures
for Infants
and Children**

This document contains no classified material and is not controlled under the provisions of the Atomic Energy Act of 1954. It is the property of the General Atomics Company, Inc. and its subsidiaries and is loaned to you for your information and use only. It is not to be distributed outside your organization without the express written permission of the General Atomics Company, Inc. All rights reserved. This document is classified "Confidential" under the Atomic Energy Act of 1954 and the Atomic Energy Act of 1986. It is not to be distributed outside your organization without the express written permission of the General Atomics Company, Inc. For questions, contact your nearest General Atomics office.



PARTS LIST

ITEM #	DESCRIPTION	24' x 16' x 48''		32' x 16' x 48''		40' x 16' x 48''		34' x 18' x 48''		38' x 18' x 48''		41' x 21' x 48''	
		PART #	QTY.	PART #	QTY.	PART #	QTY.	PART #	QTY.	PART #	QTY.	PART #	QTY.
	FRAME PACK "A" CARTON	0-9646-008	1	0-9626-008	1	0-9606-008	1	0-9648-008	1	0-9688-008	1	0-9611-008	1
1.	Parts List	573-2364	1	573-2364	1	573-2364	1	573-2364	1	573-2364	1	573-2364	1
2.	Pool Assy./Installation Instructions	573-2368	1	573-2368	1	573-2368	1	573-2368	1	573-2368	1	573-2368	1
3.	Side Top Rail	587-1111	2	587-1111	6	587-1111	10	587-1111	6	587-1111	8	587-1111	8
4.	Top Rail	587-1110	14	587-1110	14	587-1110	14	587-1110	16	587-1110	16	587-1110	18
5.	Side Rail (Stamped S)	589-1052	2	589-1052	6	589-1052	10	589-1052	6	589-1052	8	589-1052	8
6.	Bottom Rail (Stamped 16, 18 or 21)	589-1047	10	589-1047	10	589-1047	10	589-1048	16	589-1048	16	589-1049	14
7.	Transition Rail (Stamped TR)	589-1053	4	589-1053	4	589-1053	4	589-1053	4	589-1053	4	589-1053	4
8.	6" Outer Connector (Ends)	580-1543	12	580-1543	12	580-1543	12	580-1543	14	580-1543	14	580-1543	16
9.	Inner Connector	5186-1153	16	5186-1153	20	5186-1153	24	5186-1153	22	5186-1153	24	5186-1153	26
10.	Stabilizer Rail, small	583-1012	10	583-1012	10	583-1012	10	583-1012	10	583-1012	10	***583-1004	12
11.	Stabilizer Rail, large	583-1011	10	583-1011	14	583-1011	18	583-1011	16	583-1011	18	***583-1005	10
12.	Vertical Center Section	580-1365	12	580-1365	12	580-1365	12	580-1365	14	580-1365	14	580-1365	16
13.	Side Vertical Cap	580-1184	4	580-1184	8	580-1184	12	580-1184	8	580-1184	10	580-1184	10
14.	Vertical End Cap	580-1183	24	580-1183	24	580-1183	24	580-1183	28	580-1183	28	580-1183	32
15.	Coping, 24"	545-1001	34	545-1001	42	545-1001	50	545-1001	44	545-1001	48	545-1001	53
16.	Outer Connector, 6" x 3" (Side)	580-1551	4	580-1551	8	580-1551	12	580-1551	8	580-1551	10	580-1551	10
17.	Outer Connector Bracket	580-1197	4	580-1197	8	580-1197	12	580-1197	8	580-1197	10	580-1197	10
*18.	#10 x 3/8" Lg. Hex Washer Hd. Screw	510-1000	140	510-1000	136	510-1000	132	510-1000	168	510-1000	168	510-1000	182
*19.	Machine Screw, No. 10-24 x 1/2" pan head	510-1008	4	510-1008	8	510-1008	12	510-1008	8	510-1008	10	510-1008	10
*20.	Hex Nut, No. 10-24	420-1000	4	420-1000	8	420-1000	12	420-1000	8	420-1000	10	420-1000	10
21.	Booklet — Enjoy Your Pool	573-2124	1	573-2124	1	573-2124	1	573-2124	1	573-2124	1	573-2124	1
22.	Safety First Handbook	573-2370	1	573-2370	1	573-2370	1	573-2370	1	573-2370	1	573-2370	1
23.	Brochure—Night Swimming & Lighting	573-2334	1	573-2334	1	573-2334	1	573-2334	1	573-2334	1	573-2334	1
24.	Brochure—Children Area	573-2338	1	573-2338	1	573-2338	1	573-2338	1	573-2338	1	573-2338	1
24A.	Brochure—Pool & Spa	573-2393	1	573-2393	1	573-2393	1	573-2393	1	573-2393	1	573-2393	1
25.	Danger Sign	560-1035	1	560-1035	1	560-1035	1	560-1035	1	560-1035	1	560-1035	1
26.	Adhesive Square	310-1034	4	310-1034	4	310-1034	4	310-1034	4	310-1034	4	310-1034	4
27.	Warranty Card	565-1072	1	565-1072	1	565-1072	1	565-1072	1	565-1072	1	565-1072	1
28.	Product Registration Card	565-1073	1	565-1073	1	565-1073	1	565-1073	1	565-1073	1	565-1073	1
	POOL LINER CARTON												
29.	Chlorine/Winterizing Instructions	369-1134	1	369-1134	1	369-1134	1	369-1134	1	369-1134	1	369-1134	1
***30.	Pool Liner—20 Mil (Standard)	0-2416-720	1	0-3216-720	1	0-4016-720	1	0-3418-720	1	0-3818-720	1	0-4121-720	1
31.	Danger Decals	560-1036	2	560-1036	2	560-1036	2	560-1036	2	560-1036	2	560-1036	2
32.	Warranty Card	565-1062	1	565-1062	1	565-1062	1	565-1062	1	565-1062	1	565-1062	1
**33.	Repair Patch	564-1000	1	564-1000	1	564-1000	1	564-1000	1	564-1000	1	564-1000	1
34.	"Danger Deep Area" Label	560-1037	2	560-1037	2	560-1037	2	560-1037	2	560-1037	2	560-1037	2
35.	Danger—Shallow 3 1/2' Ft.	560-1034	4	560-1034	4	560-1034	4	560-1034	4	560-1034	4	560-1034	4
36.	Danger Decal Installation Inst.	369-1133	1	369-1133	1	369-1133	1	369-1133	1	369-1133	1	369-1133	1
	SEAWALL CARTON												
37.	Danger Decals	560-1036	2	560-1036	4	560-1036	4	560-1036	4	560-1036	4	560-1036	4
38.	Joint Piece	580-1002	1	580-1002	2	580-1002	2	580-1002	2	580-1002	2	580-1002	2
39.	Sidewall—Seawind	0-0208-046	1	0-0208-026	2	0-0208-006	2	0-0208-048	2	0-0208-088	2	0-0208-011	2
40.	Large Cover Plate—Seawind	580-1371	1	580-1371	2	580-1371	2	580-1371	2	580-1371	2	580-1371	2
41.	Small Cover Plate—Seawind	580-1374	1	580-1374	2	580-1374	2	580-1374	2	580-1374	2	580-1374	2
42.	Warranty Card	565-1072	1	565-1072	2	565-1072	2	565-1072	2	565-1072	2	565-1072	2
	Danger Decal Installation Inst.	369-1133	1	369-1133	1	369-1133	1	369-1133	1	369-1133	1	369-1133	1
	FRAME PACK "B" CARTON	0-9699-008	1	0-9699-008	1	0-9699-008	1	0-9618-018	1	0-9618-018	1	0-9621-018	1
43.	Vertical Side Section	580-1366	24	580-1366	24	580-1366	24	580-1366	28	580-1366	28	580-1366	32
	SUPPORT PACK CARTON	0-8888-000	1	0-8888-000	2	0-8888-001	2	0-8888-000	2	0-8888-001	1	0-8888-000	1
44.	Side Vertical	580-1367	4	580-1367	8	580-1367	12	580-1367	8	580-1367	10	580-1367	10
45.	Vertical Brace	580-1368	4	580-1368	8	580-1368	12	580-1368	8	580-1368	10	580-1368	10
46.	Bottom Rail Connector	580-1135	4	580-1135	8	580-1135	12	580-1135	8	580-1135	10	580-1135	10
47.	Horizontal Support	580-1275	4	580-1275	8	580-1275	12	580-1275	8	580-1275	10	580-1275	10
48.	Support Bracket	580-1136	4	580-1136	8	580-1136	12	580-1136	8	580-1136	10	580-1136	10
49.	Pressure Pad	580-1273	4	580-1273	8	580-1273	12	580-1273	8	580-1273	10	580-1273	10
50.	Brace, Connector - short	580-1369	4	580-1369	8	580-1369	12	580-1369	8	580-1369	10	580-1369	10
51.	Brace, Connector - long	580-1051	4	580-1051	8	580-1051	12	580-1051	8	580-1051	10	580-1051	10
52.	Skid Plate	580-1063	4	580-1063	8	580-1063	12	580-1063	8	580-1063	10	580-1063	10
*53.	#10 x 3/8" Lg. Hex Washer Hd. Screw	510-1000	92	510-1000	184	510-1000	276	510-1000	184	510-1000	230	510-1000	230
*54.	High Strength Bolt 1/4"-20 x 1/2" hex head	510-1018	72	510-1018	144	510-1018	216	510-1018	144	510-1018	180	510-1018	180
*55.	Hex Nut, 1/4"-20	511-1000	72	511-1000	144	511-1000	216	511-1000	144	511-1000	180	511-1000	180
*56.	Hex Washer/Sheet Metal Screw, No. 12 x 3/4"	510-1035	16	510-1035	32	510-1035	48	510-1035	32	510-1035	40	510-1035	40
57.	Horizontal End Cap	580-1412	4	580-1412	8	580-1412	12	580-1412	8	580-1412	10	580-1412	10

*Screws are available in most hardware stores.

**For additional patch kits order Part No. 5604-00.

***These stabilizers are 46 3/8" long and are used on ends only. P/N 583-1011 stabilizer (43 1/4" long) used on sides (8 required).

****If you have received a liner other than the one listed above, write the number of your liner in the space provided. #

2364