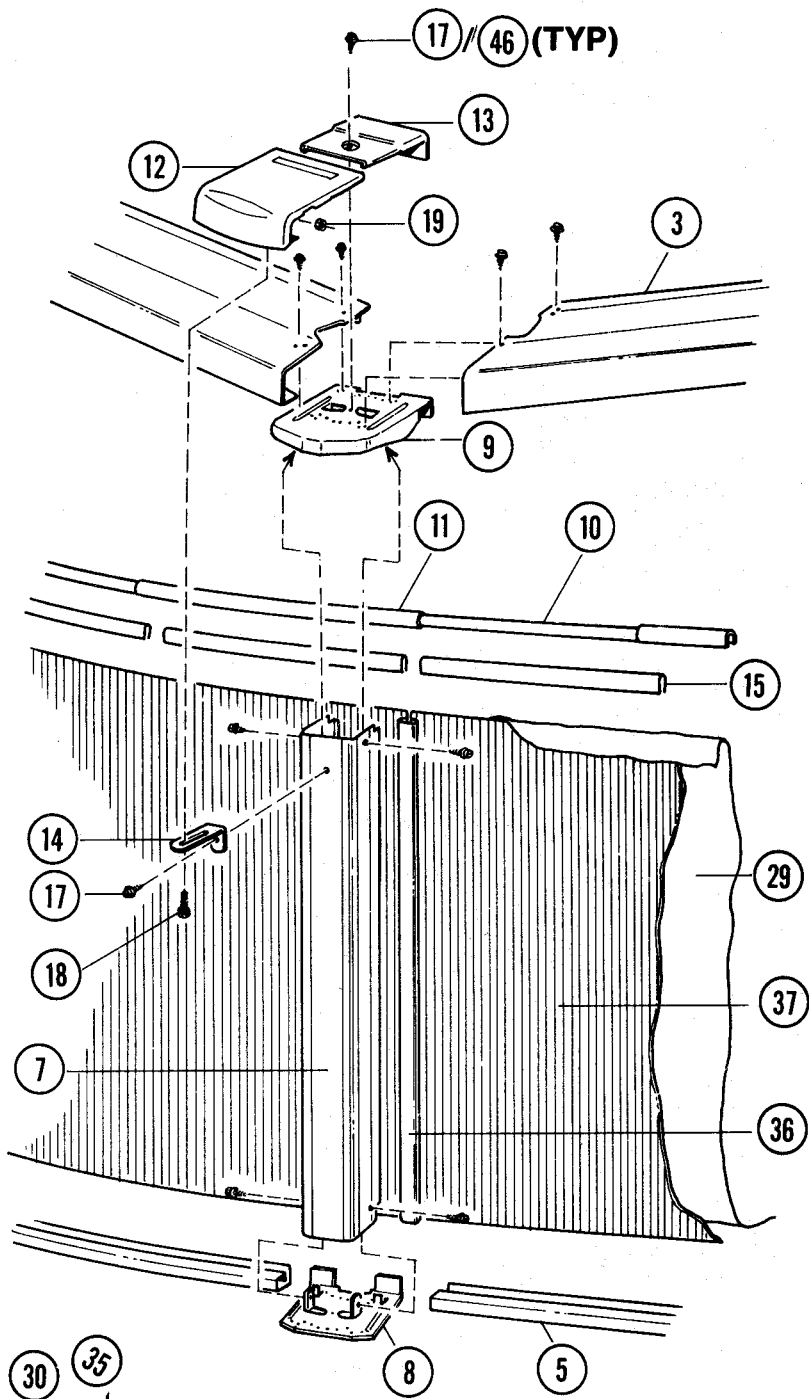


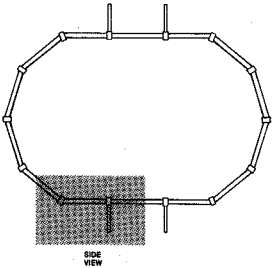
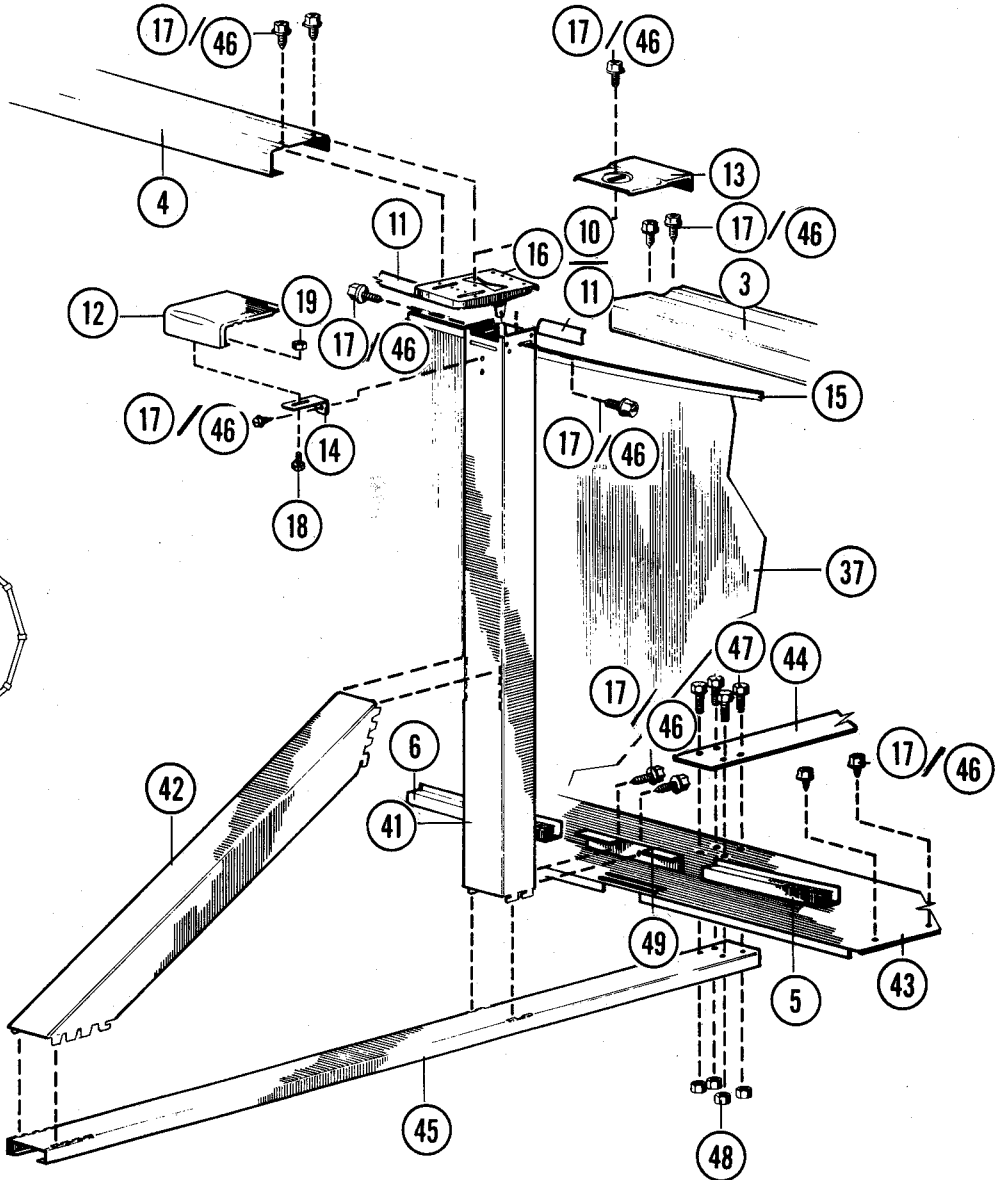
"the original portable pool"
doughboy

Ridgecrest

Strap Oval Pool

Parts List





ITEM #	DESCRIPTION	26' x 18' x 48''		30' x 18' x 48''	
		PART #	QTY.	PART #	QTY.
	FRAME PACK "A" CARTON	0-9668-069	1	0-9608-069	1
1.	Parts List	573-2357	1	573-2357	1
2.	Pool Assy./Installation Instructions	573-2369	1	573-2369	1
3.	Top Rail	587-1093	16	587-1093	16
4.	Side Top Rail	587-1094	2	587-1094	4
5.	Bottom Rail (Stamped 18)	589-1048	16	589-1048	16
6.	Side Bottom Rail (Stamped S)	589-1052	2	589-1052	4
7.	Vertical	580-1156	14	580-1156	14
8.	Vertical End Cap	580-1146	14	580-1146	14
9.	Vertical Top Cap	580-1196	14	580-1196	14
10.	Stabilizer Rail, small dia.	583-1012	10	583-1012	10
11.	Stabilizer Rail, large dia.	583-1011	12	583-1011	14
12.	6" Outer Connector	580-1545	18	580-1545	20
13.	Inner Connector	5186-1155	18	5186-1155	20
14.	Outer Connector Bracket	580-1197	18	580-1197	20
15.	Plastic Coping, 24''	545-1001	36	545-1001	40
16.	Side Vertical Cap	580-1184	4	580-1184	6
*17.	Sheet Metal Screw #10 x 3/8'', Type AB	510-1000	140	510-1000	140
*18.	Machine Screw, No. 10-24 x 1/2''	510-1008	18	510-1008	20
*19.	Hex Nut, No. 10-24	420-1000	18	420-1000	20
20.	Booklet — Enjoy Your Pool	573-2124	1	573-2124	1
21.	Safety First Handbook	573-2370	1	573-2370	1
22.	Brochure—Night Swimming & Lighting	573-2334	1	573-2334	1
23.	Brochure—Children Aren't	573-2338	1	573-2338	1
23A.	Brochure—Pool & Spa	573-2393	1	573-2393	1
24.	"Danger" Sign	560-1035	1	560-1035	1
25.	Adhesive Square	310-1034	4	310-1034	4
26.	Warranty Card	565-1070	1	565-1070	1
27.	Product Registration Card	565-1073	1	565-1073	1
	POOL LINER CARTON				
28.	Chlorine/Winterizing Instructions	369-1134	1	369-1134	1
***29.	Pool Liner — 15 Mil (Standard)	0-2618-715	1	0-3018-715	1
30.	"Danger" Decals	560-1036	2	560-1036	2
31.	"Danger"—Shallow 3 1/2 Ft.	560-1034	4	560-1034	4
32.	Warranty Card	565-1061	1	565-1061	1
**33.	Repair Patch	564-1000	1	564-1000	1
34.	Danger Decal Installation Inst.	369-1133	1	369-1133	1
	SIDEWALL CARTON				
35.	"Danger" Decal	560-1036	4	560-1036	4
36.	Joint Piece	580-1002	2	580-1002	2
37.	Sidewall	0-6008-068	2	0-6008-008	2
38.	Large Cover Plate	580-1003	2	580-1003	2
39.	Small Cover Plate	580-1004	2	580-1004	2
40.	Warranty Card	565-1070	2	565-1070	2
	Danger Decal Installation Inst.	369-1133	1	369-1133	1
	STRAP SUPPORT PACK CARTON				
		0-9668-020	1	0-9608-020	1
41.	Side Vertical	580-1202	4	580-1202	6
42.	Vertical Brace	580-1208	4	580-1208	6
43.	Pressure Pad	580-1273	4	580-1273	6
44.	Tension Strap	580-1227	2	580-1227	3
45.	Horizontal Beam	580-1200	4	580-1200	6
*46.	Sheet Metal Screw, #10 x 3/8'', Type AB	510-1000	48	510-1000	72
*47.	High Strength Bolt 1/4''-20 x 1/2'', hex head	510-1018	16	510-1018	24
*48.	Hex Nut, 1/4-20	511-1000	16	511-1000	24
49.	Bottom Rail Connector	580-1135	4	580-1135	6

*Screws are available in most hardware stores.

**For additional patch kits order Part No. 5604-00.

***If you have received a liner other than the one listed above, write the number of your liner in the space provided. #_____

2357