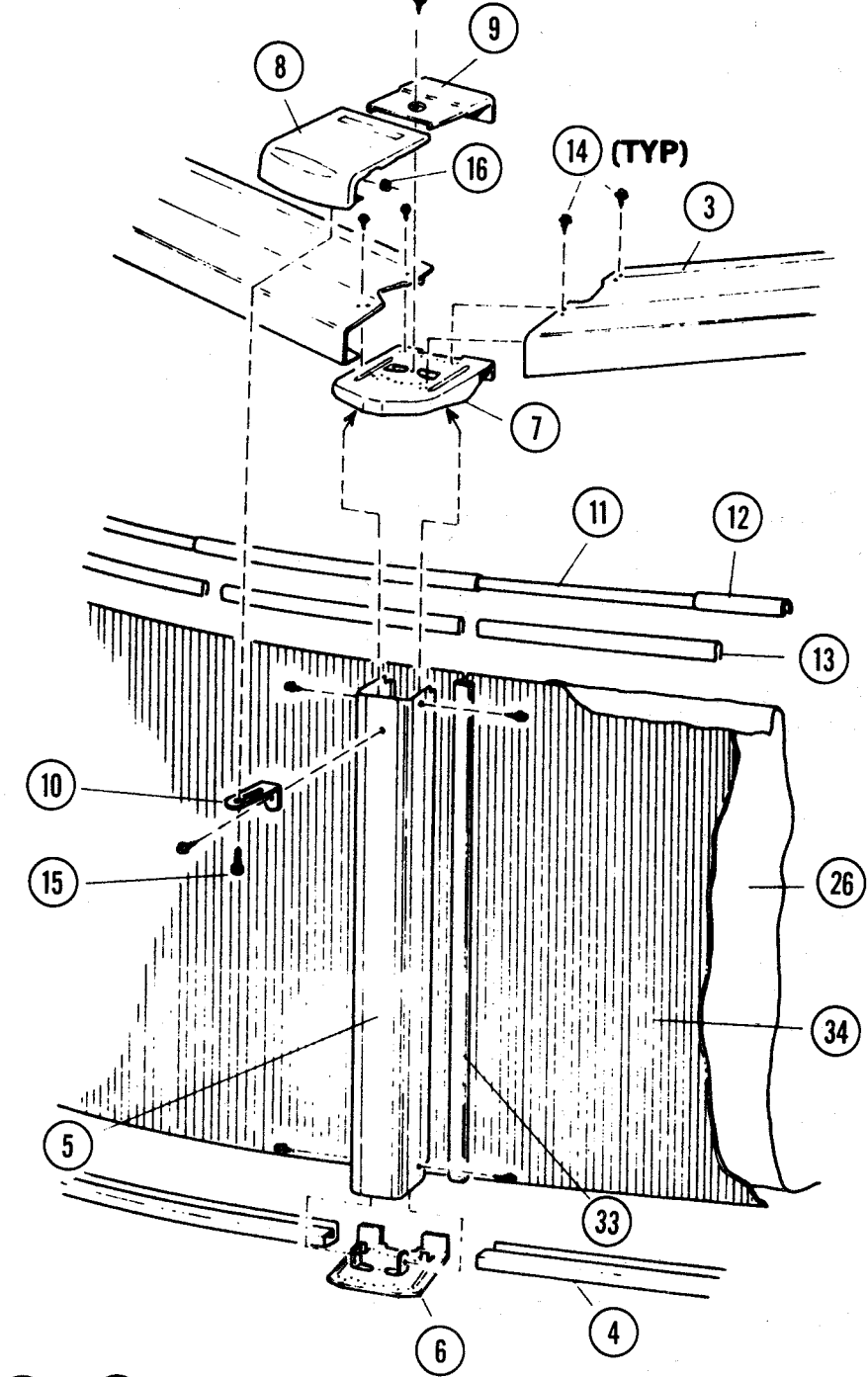


"the original portable pool"
doughboy[®]

Ridgecrest

Round Pool

Parts List



27

32



PARTS LIST

ITEM #	DESCRIPTION	16' x 48''		18' x 48''		21' x 48''		24' x 48''	
		PART #	QTY.	PART #	QTY.	PART #	QTY.	PART #	QTY.
	FRAME PACK "A" CARTON	0-9616-069	1	0-9618-069	1	0-9621-069	1	0-9624-069	1
1.	Parts List	573-2356	1	573-2356	1	573-2356	1	573-2356	1
2.	Pool Assy./Installation Instructions	573-2367	1	573-2367	1	573-2367	1	573-2367	1
3.	Top Rail	587-1093	12	587-1093	14	587-1093	16	587-1093	18
4.	Bottom Rail	589-1047	12	589-1048	14	589-1049	16	589-1050	18
5.	Vertical 3"	580-1156	12	580-1156	14	580-1156	16	580-1156	18
6.	Vertical End Cap, 3"	580-1146	12	580-1146	14	580-1146	16	580-1146	18
7.	Top Vertical End Cap	580-1196	12	580-1196	14	580-1196	16	580-1196	18
8.	Outer Connector, 6" x 3"	580-1545	12	580-1545	14	580-1545	16	580-1545	18
9.	Inner Connector	5186-1155	12	5186-1155	14	5186-1155	16	5186-1155	18
10.	Outer Connector Bracket	580-1197	12	580-1197	14	580-1197	16	580-1197	18
11.	Stabilizer Rail, small	583-1012	8	583-1012	9	583-1004	10	583-1004	11
12.	Stabilizer Rail, large	583-1011	8	583-1011	9	583-1005	10	583-1005	11
13.	Plastic Coping, 24"	545-1001	26	545-1001	28	545-1001	33	545-1001	38
*14.	Sheet Metal Screw, #10 x 3/8", Type AB	510-1000	120	510-1000	140	510-1000	160	510-1000	180
*15.	Machine Screw, #10-24 x 1/2", pan head	510-1008	12	510-1008	14	510-1008	16	510-1008	18
*16.	Hex Nut, #10-24	420-1000	12	420-1000	14	420-1000	16	420-1000	18
17.	Booklet — Enjoy Your Pool	573-2124	1	573-2124	1	573-2124	1	573-2124	1
18.	Safety First Handbook	573-2370	1	573-2370	1	573-2370	1	573-2370	1
19.	Brochure — Night Swimming & Lighting	573-2334	1	573-2334	1	573-2334	1	573-2334	1
20.	Brochure — Children Aren't	573-2338	1	573-2338	1	573-2338	1	573-2338	1
20A.	Brochure — Pool & Spa	573-2393	1	573-2393	1	573-2393	1	573-2393	1
21.	Danger Sign	560-1035	1	560-1035	1	560-1035	1	560-1035	1
22.	Adhesive Square	310-1034	4	310-1034	4	310-1034	4	310-1034	4
23.	Warranty Card	565-1070	1	565-1070	1	565-1070	1	565-1070	1
24.	Product Registration Card	565-1073	1	565-1073	1	565-1073	1	565-1073	1
	POOL LINER CARTON								
25.	Chlorine/Winterizing Instructions	369-1134	1	369-1134	1	369-1134	1	369-1134	1
***26.	Pool Liner — 15 Mil (Standard)	0-1648-715	1	0-1848-715	1	0-2148-715	1	0-2448-715	1
27.	Danger Decals	560-1036	2	560-1036	2	560-1036	2	560-1036	2
28.	Danger — Shallow 3 1/2 Ft.	560-1034	4	560-1034	4	560-1034	4	560-1034	4
29.	Warranty Card	565-1061	1	565-1061	1	565-1061	1	565-1061	1
**30.	Repair Patch	564-1000	1	564-1000	1	564-1000	1	564-1000	1
31.	Danger Decal Installation Inst.	369-1133	1	369-1133	1	369-1133	1	369-1133	1
	SIDEWALL CARTON								
32.	Danger Decal	560-1036	2	560-1036	2	560-1036	2	560-1036	2
33.	Joint Piece	580-1002	1	580-1002	1	580-1002	1	580-1002	1
34.	Sidewall	0-6008-016	1	0-6008-018	1	0-6008-021	1	0-6008-024	1
35.	Large Cover Plate	580-1003	1	580-1003	1	580-1003	1	580-1003	1
36.	Small Cover Plate	580-1004	1	580-1004	1	580-1004	1	580-1004	1
37.	Warranty Card	565-1070	1	565-1070	1	565-1070	1	565-1070	1
	Danger Decal Installation Inst.	369-1133	1	369-1133	1	369-1133	1	369-1133	1

*Screws are available in most hardware stores.

**For additional patch kits order Part No. 5604-00.

***If you have received a liner other than the one listed above, write the number of your liner in the space provided # _____

2356