

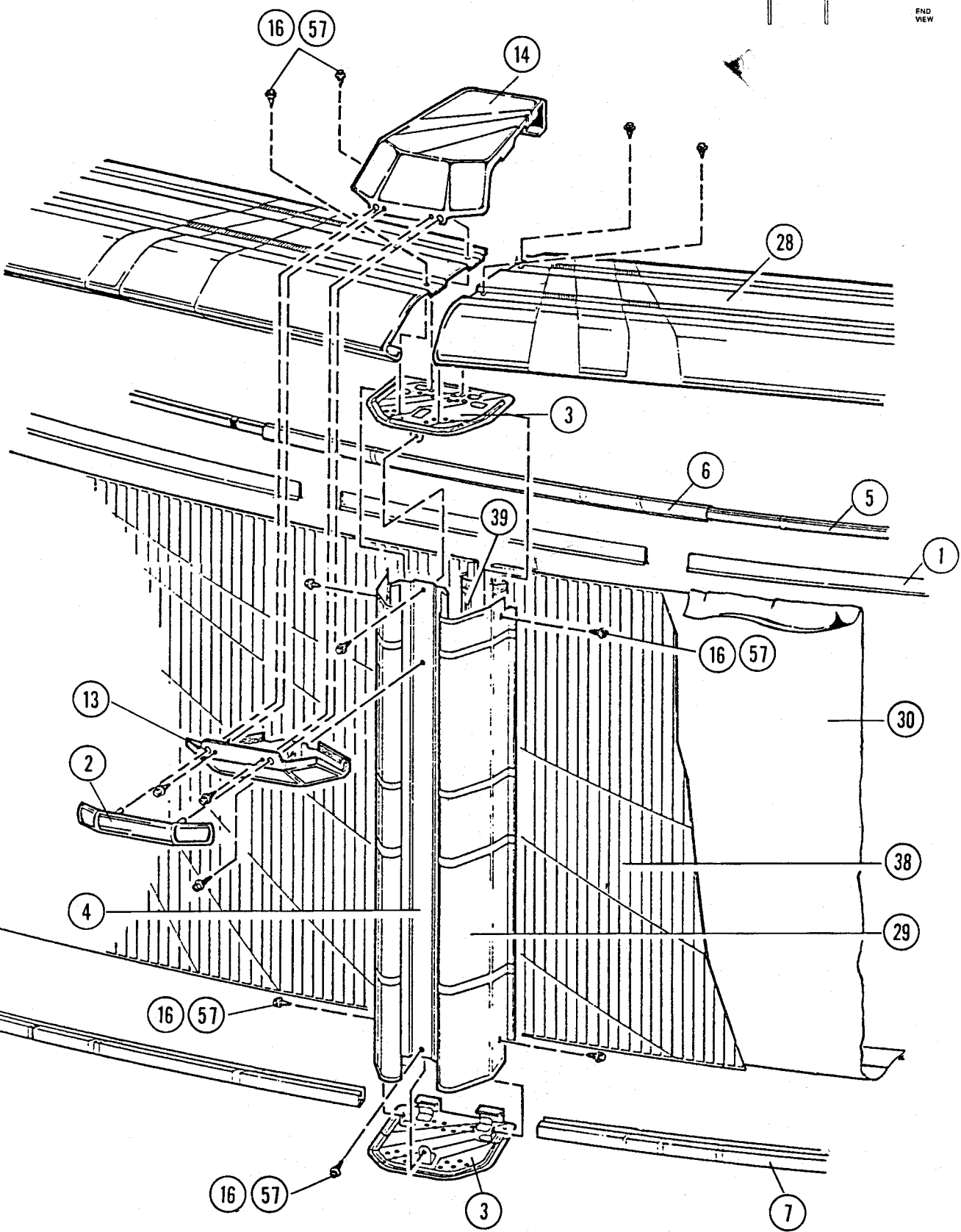
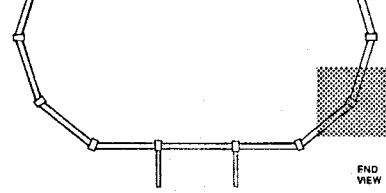
"the original portable pool"

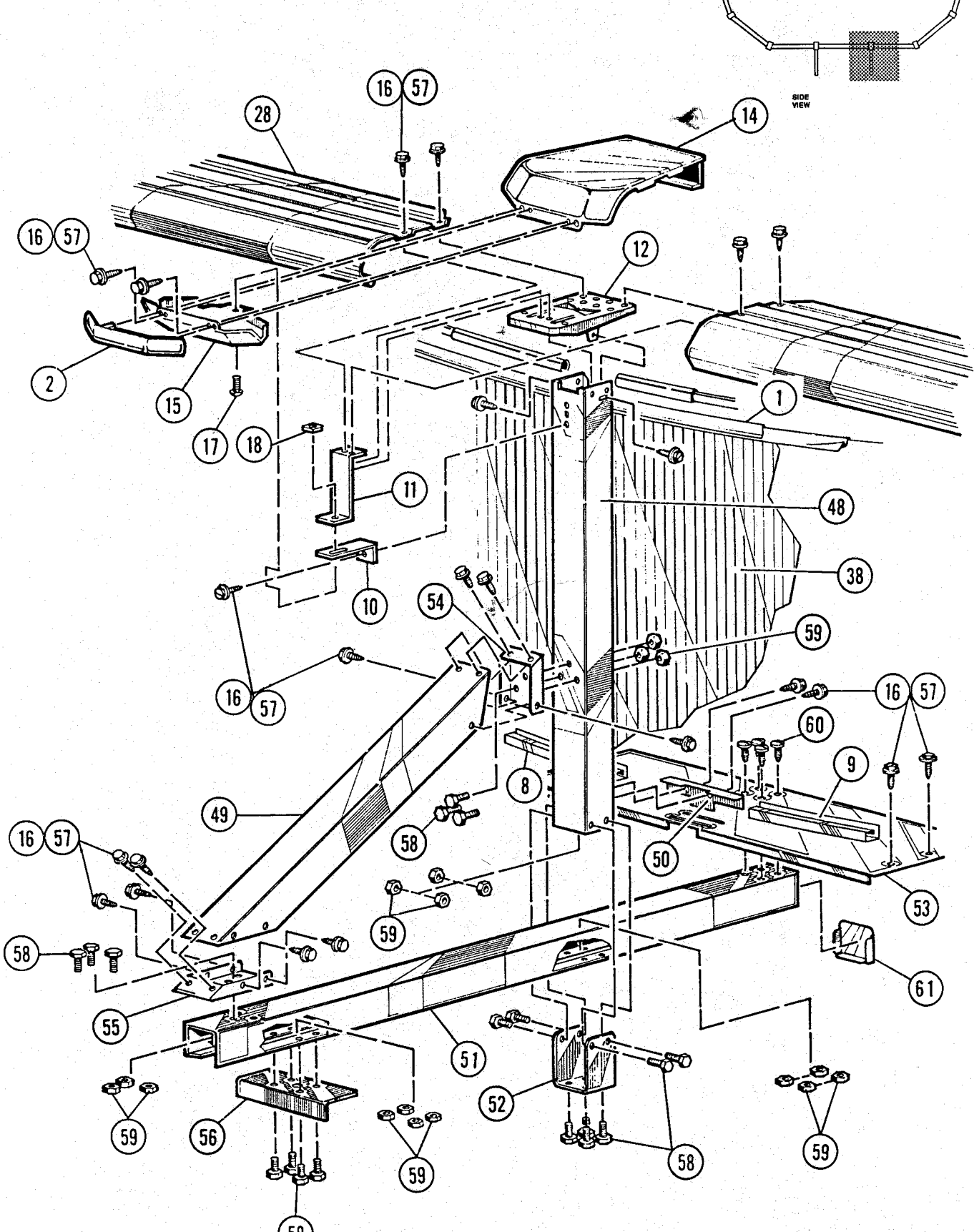
**doughboy®**

# King's Canyon

## Buttress Oval Pool

---





# King's Canyon Buttress Oval Pool — Parts List

ITEM #	DESCRIPTION	24' x 16' x 48"		28' x 16' x 48"		32' x 16' x 48"		40' x 16' x 48"	
		PART #	QTY.	PART #	QTY.	PART #	QTY.	PART #	QTY.
	<b>ASSEMBLY PACK</b>	0-9946-901	1	0-9986-901	1	0-9926-901	1	0-9906-901	1
1.	Plastic Coping, 24"	545-1001	34	545-1001	38	545-1001	42	545-1001	50
†2.	Connector Decor Strip	340-1781	17	340-1781	19	340-1781	21	340-1781	25
3.	Vertical End Cap	580-1587	24	580-1587	24	580-1587	24	580-1587	24
4.	Vertical Center Section	580-1584	12	580-1584	12	580-1584	12	580-1584	12
5.	Stabilizer Rail, small dia.	583-1012	10	583-1012	10	583-1012	10	583-1012	10
6.	Stabilizer Rail, large dia.								
***6A.	Stabilizer Rail, large dia.	583-1011	10	583-1011	12	583-1011	14	583-1011	18
7.	Bottom Rail (Stamped 16, 18 or 21)	589-1047	10	589-1047	10	589-1047	10	589-1047	10
8.	Side Rail (Stamped S)	589-1052	2	589-1052	4	589-1052	6	589-1052	10
9.	Transition Rail (Stamped TR)	589-1053	4	589-1053	4	589-1053	4	589-1053	4
10.	Outer Connector Bracket	580-1629	4	580-1629	6	580-1629	8	580-1629	12
11.	Connector Support Bracket	580-1654	4	580-1654	6	580-1654	8	580-1654	12
12.	Side Vertical Cap	580-1588	4	580-1588	6	580-1588	8	580-1588	12
13.	Connector Skirt - Vertical	580-1592	12	580-1592	12	580-1592	12	580-1592	12
14.	Top Connector	5186-1193	16	5186-1193	18	5186-1193	20	5186-1193	24
15.	Connector Skirt - Buttress	580-1604	4	580-1604	6	580-1604	8	580-1604	12
*16.	Sheet Metal Screw, # 10 x 3/8" Hexwasher Head, Type AB	510-1000	156	510-1000	156	510-1000	156	510-1000	156
*17.	Machine Screw, #. 10-24 x 1/2" pan head	510-1008	4	510-1008	6	510-1008	8	510-1008	12
*18.	Square Nut, # 10-24	321-1025	4	321-1025	6	321-1025	8	321-1025	12
19.	Pool Parts List	573-2597	1	573-2597	1	573-2597	1	573-2597	1
20.	Pool Installation Instructions	573-2561	1	573-2561	1	573-2561	1	573-2561	1
21.	"Read Me First" Booklet	573-2417	1	573-2417	1	573-2417	1	573-2417	1
22.	"Enjoy Your Pool" Booklet	573-2124	1	573-2124	1	573-2124	1	573-2124	1
23.	"Safety First" Booklet	573-2583	1	573-2583	1	573-2583	1	573-2583	1
24.	"Children Aren't . . ." Brochure	573-2338	1	573-2338	1	573-2338	1	573-2338	1
25.	"Pool & Spa . . ." Brochure	573-2393	1	573-2393	1	573-2393	1	573-2393	1
26.	Warranty Card - Metal	—	1	—	1	—	1	—	1
27.	Product Registration Card	565-1117	1	565-1117	1	565-1117	1	565-1117	1
	<b>TOP RAIL PACK</b>	0-9816-901	1	0-9809-901	2	0-9810-901	2	0-9812-901	2
28.	Top Rail	587-1190	16	587-1190	18	587-1190	20	587-1190	24
	<b>VERTICAL CARTON</b>	0-9712-901	1	0-9712-901	1	0-9712-901	1	0-9712-901	1
29.	Vertical Side Section	580-1586	24	580-1586	24	580-1586	24	580-1586	24
	<b>POOL LINER CARTON</b>	0-2416-___	1	0-2816-___	1	0-3216-___	1	0-4016-___	1
***30.	Pool Liner	573-2421	1	573-2421	1	573-2421	1	573-2421	1
31.	Chlorine/Winterizing Instructions	560-1041	3	560-1041	3	560-1041	3	560-1041	3
32.	"Warning" Decal	—	1	—	1	—	1	—	1
33.	Warranty Card - Liner	—	1	—	1	—	1	—	1
**34.	Repair Patch	564-1000	1	564-1000	1	564-1000	1	564-1000	1
35.	"Deeper Area" Decal	560-1042	2	560-1042	2	560-1042	2	560-1042	2
36.	"Shallow" Decal	560-1043	3	560-1043	3	560-1043	3	560-1043	3
37.	"Read Me First" Booklet	573-2417	1	573-2417	1	573-2417	1	573-2417	1
	<b>SIDEWALL CARTON</b>	0-6608-046	1	0-6608-086	1	0-6608-026	2	0-6608-006	2
38.	Sidewall	580-1002	1	580-1002	1	580-1002	2	580-1002	2
39.	Joint Piece	580-1303	1	580-1303	1	580-1303	2	580-1303	2
40.	Large Cover Plate	580-1304	1	580-1304	1	580-1304	2	580-1304	2
41.	Small Cover Plate	—	1	—	1	—	2	—	2
42.	Warranty Card - Metal	560-1046	1	560-1046	1	560-1046	2	560-1046	2
43.	"Warning" Sign	573-2417	1	573-2417	1	573-2417	2	573-2417	2
44.	"Read Me First" Booklet	332-1079	1	332-1079	1	332-1079	2	332-1079	2
45.	Black Marking Pen	310-1034	6	310-1034	6	310-1034	12	310-1034	12
46.	Adhesive Squares	573-2500	1	573-2500	1	573-2500	2	573-2500	2
47.	Safety Video	0-8888-006	1	0-8888-007	1	0-8888-006	2	0-8888-007	2
	<b>SUPPORT PACK 4 — CARTON</b>	580-1655	4	580-1655	6	580-1655	8	580-1655	12
48.	Side Vertical	580-1301	4	580-1301	6	580-1301	8	580-1301	12
49.	Vertical Brace	580-1593	4	580-1593	6	580-1593	8	580-1593	12
50.	Bottom Rail Connector	580-1275	4	580-1275	6	580-1275	8	580-1275	12
51.	Horizontal Support	580-1136	4	580-1136	6	580-1136	8	580-1136	12
52.	Support Bracket	580-1273	4	580-1273	6	580-1273	8	580-1273	12
53.	Pressure Pad	580-1302	4	580-1302	6	580-1302	8	580-1302	12
54.	Brace, Connector — short	580-1051	4	580-1051	6	580-1051	8	580-1051	12
55.	Brace, Connector — long	580-1063	4	580-1063	6	580-1063	8	580-1063	12
56.	Skid Plate								
*57.	Sheet Metal Screw, #. 10 x 3/8" Type AB	510-1000	92	510-1000	138	510-1000	184	510-1000	276
*58.	High Strength Bolt 1/4"-20 x 1/2", hex head	510-1018	72	510-1018	108	510-1018	144	510-1018	216
*59.	Hex Nut, 1/4-20	511-1000	72	511-1000	108	511-1000	144	511-1000	216
*60.	Hex Washered/Sheet Metal Screw, #. 12 x 3/4"	510-1035	16	510-1035	24	510-1035	32	510-1035	48
61.	Horizontal End Cap	580-1412	4	580-1412	6	580-1412	8	580-1412	12

\*Screws are available in most hardware stores.

\*\*For additional patch kits order Part No. 0-5604-000.

\*\*\*These stabilizers are 43 1/4" long and are used on sides, between the buttresses. Use all remaining small and large diameter rails on the ends of the pool.

\*\*\*\*Write the number of your liner in the spaces provided here and above. # \_\_\_\_\_

† One extra Decor Strip is provided.

# King's Canyon Buttress Oval Pool — Parts List

ITEM #	DESCRIPTION	30' x 18' x 48"		34' x 18' x 48"		38' x 18' x 48"		41' x 21' x 48"	
		PART #	QTY.	PART #	QTY.	PART #	QTY.	PART #	QTY.
	<b>ASSEMBLY PACK</b>	0-9908-901	1	0-9948-901	1	0-9988-901	1	0-9911-901	1
1.	Plastic Coping, 24"	545-1001	40	545-1001	44	545-1001	48	545-1001	53
†2.	Connector Decor Strip	340-1781	21	340-1781	23	340-1781	25	340-1781	27
3.	Vertical End Cap	580-1587	28	580-1587	28	580-1587	28	580-1587	32
4.	Vertical Center Section	580-1584	14	580-1584	14	580-1584	14	580-1584	16
5.	Stabilizer Rail, small dia.	583-1012	10	583-1012	10	583-1012	10	583-1004	12
6.	Stabilizer Rail, large dia.							583-1005	10
***6A	Stabilizer Rail, large dia.	583-1011	14	583-1011	16	583-1011	18	583-1011	8
7.	Bottom Rail (Stamped 16, 18 or 21)	589-1048	16	589-1048	16	589-1048	16	589-1049	14
8.	Side Rail (Stamped S)	589-1052	4	589-1052	6	589-1052	8	589-1052	8
9.	Transition Rail (Stamped TR)							589-1053	4
10.	Outer Connector Bracket	580-1629	6	580-1629	8	580-1629	10	580-1629	10
11.	Connector Support Bracket	580-1654	6	580-1654	8	580-1654	10	580-1654	10
12.	Side Vertical Cap	580-1588	6	580-1588	8	580-1588	10	580-1588	10
13.	Connector Skirt, Vertical	580-1592	14	580-1592	14	580-1592	14	580-1592	16
14.	Top Connector	5186-1193	20	5186-1193	22	5186-1193	24	5186-1193	26
15.	Connector, Skirt, Buttress	580-1604	6	580-1604	8	580-1604	10	580-1604	10
*16.	Sheet Metal Screw, # 10 x 3/8" Hexwasher Head, Type AB	510-1000	186	510-1000	186	510-1000	186	510-1000	208
*17.	Machine Screw, #. 10-24 x 1/2" pan head	510-1008	6	510-1008	8	510-1008	10	510-1008	10
*18.	Square Nut, # 10-24	321-1025	6	321-1025	8	321-1025	10	321-1025	10
19.	Pool Parts List	573-2597	1	573-2597	1	573-2597	1	573-2597	1
20.	Pool Installation Instructions	573-2561	1	573-2561	1	573-2561	1	573-2561	1
21.	"Read Me First" Booklet	573-2417	1	573-2417	1	573-2417	1	573-2417	1
22.	"Enjoy Your Pool" Booklet	573-2124	1	573-2124	1	573-2124	1	573-2124	1
23.	"Safety First" Booklet	573-2583	1	573-2583	1	573-2583	1	573-2583	1
24.	"Children Aren't . . ." Brochure	573-2338	1	573-2338	1	573-2338	1	573-2338	1
25.	"Pool & Spa . . ." Brochure	573-2393	1	573-2393	1	573-2393	1	573-2393	1
26.	Warranty Card	—	1	—	1	—	1	—	1
27.	Product Registration Card	565-1117	1	565-1117	1	565-1117	1	565-1117	1
	<b>TOP RAIL PACK</b>	0-9810-901	2	0-9810-901	1	0-9812-901	2	0-9812-901	1
28.	Top Rail	587-1190	20	587-1190	22	587-1190	24	587-1190	26
	<b>VERTICAL PACK</b>	0-9714-901	1	0-9714-901	1	0-9714-901	1	0-9714-901	1
29.	Vertical Side Section	580-1586	28	580-1586	28	580-1586	28	580-1586	32
	<b>POOL LINER CARTON</b>								
***30.	Pool Liner	0-3018-___	1	0-3418-___	1	0-3818-___	1	0-4121-___	1
31.	Chlorine/Winterizing Instructions	573-2421	1	573-2421	1	573-2421	1	573-2421	1
32.	"Warning" Decal	560-1041	3	560-1041	3	560-1041	3	560-1041	3
33.	Warranty Card	—	1	—	1	—	1	—	1
**34.	Repair Patch	564-1000	1	564-1000	1	564-1000	1	564-1000	1
35.	"Deeper Area" Decal	560-1042	2	560-1042	2	560-1042	2	560-1042	2
36.	"Shallow" Decal	560-1043	3	560-1043	3	560-1043	3	560-1043	3
37.	"Read Me First" Booklet	573-2417	1	573-2417	1	573-2417	1	573-2417	1
	<b>SIDEWALL CARTON</b>								
38.	Sidewall	0-6608-008	2	0-6608-048	2	0-6608-088	2	0-6608-011	2
39.	Joint Piece	580-1002	2	580-1002	2	580-1002	2	580-1002	2
40.	Large Cover Plate	580-1303	2	580-1303	2	580-1303	2	580-1303	2
41.	Small Cover Plate	580-1304	2	580-1304	2	580-1304	2	580-1304	2
42.	Warranty Card	—	2	—	2	—	2	—	2
43.	"Warning" Sign	560-1046	2	560-1046	2	560-1046	2	560-1046	2
44.	"Read Me First" Booklet	573-2417	2	573-2417	2	573-2417	2	573-2417	2
45.	Black Marking Pen	332-1079	2	332-1079	2	332-1079	2	332-1079	2
46.	Adhesive Squares	310-1034	12	310-1034	12	310-1034	12	310-1034	12
47.	Safety Video	573-2500	2	573-2500	2	573-2500	2	573-2500	2
	<b>SUPPORT PACK 4 — CARTON</b>			0-8888-006	2	0-8888-006	1	0-8888-006	1
	<b>SUPPORT PACK 6 — CARTON</b>	0-8888-007	1			0-8888-007	1	0-8888-007	1
48.	Side Vertical	580-1655	6	580-1655	8	580-1655	10	580-1655	10
49.	Vertical Brace	580-1301	6	580-1301	8	580-1301	10	580-1301	10
50.	Bottom Rail Connector	580-1593	6	580-1593	8	580-1593	10	580-1593	10
51.	Horizontal Support	580-1275	6	580-1275	8	580-1275	10	580-1275	10
52.	Support Bracket	580-1136	6	580-1136	8	580-1136	10	580-1136	10
53.	Pressure Pad	580-1273	6	580-1273	8	580-1273	10	580-1273	10
54.	Brace, Connector — short	580-1302	6	580-1302	8	580-1302	10	580-1302	10
55.	Brace, Connector — long	580-1051	6	580-1051	8	580-1051	10	580-1051	10
56.	Skid Plate	580-1063	6	580-1063	8	580-1063	10	580-1063	10
*57.	Sheet Metal Screw, No. 10 x 3/8" Type AB	510-1000	138	510-1000	184	510-1000	230	510-1000	230
*58.	High Strength Bolt 1/4"-20 x 1/2", hex head	510-1018	108	510-1018	144	510-1018	180	510-1018	180
*59.	Hex Nut, 1/4"-20	511-1000	108	511-1000	144	511-1000	180	511-1000	180
*60.	Hex Washered/Sheet Metal Screw, No. 12 x 3/4"	510-1035	24	510-1035	32	510-1035	40	510-1035	40
61.	Horizontal End Cap	580-1412	6	580-1412	8	580-1412	10	580-1412	10

\*Screws are available in most hardware stores.

\*\*For additional patch kits order Part No. 0-5604-000.

\*\*\*These stabilizers are 43 1/4" long and are used on sides, between the buttresses. Use all remaining small and large diameter rails on the ends of the pool.

\*\*\*\*Write the number of your liner in the spaces provided here and above. #

† One extra Decor Strip is provided.