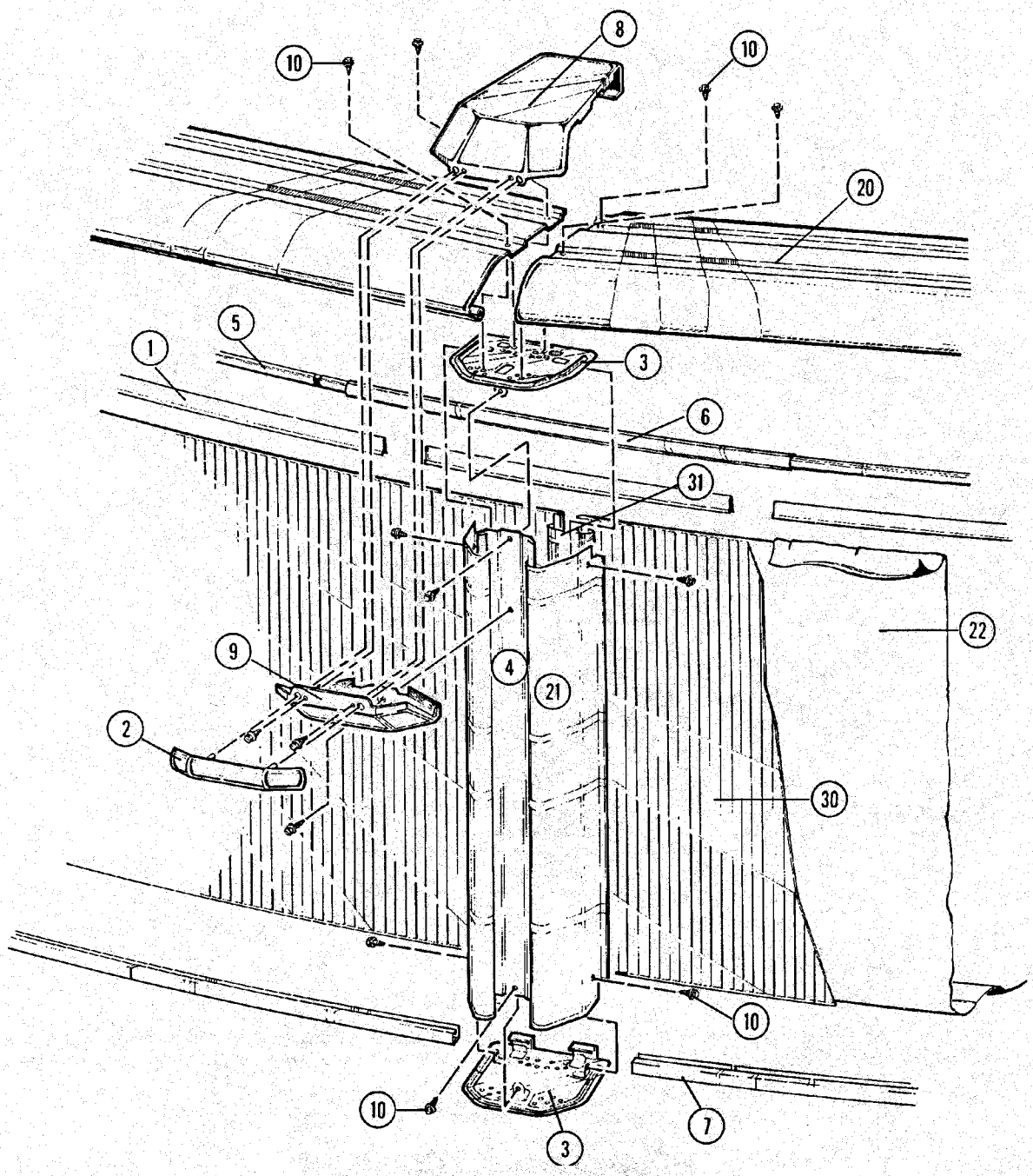
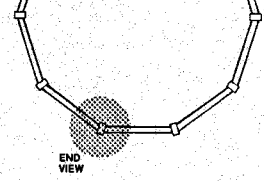


●
"the original portable pool"

doughboy®

King's Canyon

Round Pool



King's Canyon Round Pool — Parts List

ITEM #	DESCRIPTION	16' x 48"		18' x 48"		21' x 48"		24' x 48"		28' x 48"	
		PART #	QTY.	PART #	QTY.	PART #	QTY.	PART #	QTY.	PART #	QTY.
	ASSEMBLY PACK	0-9916-901	1	0-9918-901	1	0-9921-901	1	0-9924-901	1	0-9928-901	1
1.	Plastic Coping, 24"	545-1001	26	545-1001	28	545-1001	33	545-1001	38	545-1001	44
†2.	Connector Decor Strip	340-1781	13	340-1781	15	340-1781	17	340-1781	19	340-1781	22
3.	Vertical End Cap	580-1587	24	580-1587	28	580-1587	32	580-1587	36	580-1587	42
4.	Vertical Center Section	580-1584	12	580-1584	14	580-1584	16	580-1584	18	580-1584	21
5.	Stabilizer Rail, small dia.	583-1012	8	583-1012	9	583-1004	10	583-1004	11	583-1004	13
6.	Stabilizer Rail, large dia.	583-1011	8	583-1011	9	583-1005	10	583-1005	11	583-1005	13
7.	Bottom Rail	589-1047	12	589-1048	14	589-1049	16	589-1050	18	589-1051	21
8.	Top Connector	5186-1193	12	5186-1193	14	5186-1193	16	5186-1193	18	5186-1193	21
9.	Connector Skirt	580-1592	12	580-1592	14	580-1592	16	580-1592	18	580-1592	21
*10.	Sheet Metal Screw, # 10 x 3/8", Type AB	510-1000	156	510-1000	186	510-1000	208	510-1000	234	510-1000	273
11.	Pool Parts List	573-2596	1	573-2596	1	573-2596	1	573-2596	1	573-2596	1
12.	Pool Installation Instructions	573-2565	1	573-2565	1	573-2565	1	573-2565	1	573-2565	1
13.	"Read Me First" Booklet	573-2417	1	573-2417	1	573-2417	1	573-2417	1	573-2417	1
14.	"Enjoy Your Pool" Booklet	573-2124	1	573-2124	1	573-2124	1	573-2124	1	573-2124	1
15.	"Safety First" Booklet	573-2583	1	573-2583	1	573-2583	1	573-2583	1	573-2583	1
16.	"Children Aren't . . ." Brochure	573-2338	1	573-2338	1	573-2338	1	573-2338	1	573-2338	1
17.	"Pool & Spa . . ." Brochure	573-2393	1	573-2393	1	573-2393	1	573-2393	1	573-2393	1
18.	Warranty Card - Metal	—	1	—	1	—	1	—	1	—	1
19.	Product Registration Card	565-1117	1	565-1117	1	565-1117	1	565-1117	1	565-1117	1
	TOP RAIL PACK	0-9812-901	1	0-9814-901	1	0-9816-901	1	0-9809-901	2	0-9809-901	1
										0-9812-901	1
20.	Top Rail	587-1190	12	587-1190	14	587-1190	16	587-1190	18	587-1190	21
	VERTICAL PACK	0-9712-901	1	0-9714-901	1	0-9716-901	1	0-9718-901	1	0-9721-901	1
21.	Vertical Side Section	580-1586	24	580-1586	28	580-1586	32	580-1586	36	580-1586	42
	POOL LINER CARTON										
***22.	Pool Liner	0-1648-___	1	0-1848-___	1	0-2148-___	1	0-2448-___	1	0-2848-___	1
23.	Chlorine/Winterizing Instructions	573-2421	1	573-2421	1	573-2421	1	573-2421	1	573-2421	1
24.	"Warning" Decal	560-1041	3	560-1041	3	560-1041	3	560-1041	3	560-1041	3
25.	Warranty Card - Liner	—	1	—	1	—	1	—	1	—	1
**26.	Repair Patch	564-1000	1	564-1000	1	564-1000	1	564-1000	1	564-1000	1
27.	"Deeper Area" Decal	560-1042	2	560-1042	2	560-1042	2	560-1042	2	560-1042	2
28.	"Shallow" Decal	560-1043	3	560-1043	3	560-1043	3	560-1043	3	560-1043	3
29.	"Read Me First" Booklet	573-2417	1	573-2417	1	573-2417	1	573-2417	1	573-2417	1
	SIDEWALL CARTON										
30.	Sidewall	0-6608-016	1	0-6608-018	1	0-6608-021	1	0-6608-024	1	0-6608-028	1
31.	Joint Piece	580-1002	1	580-1002	1	580-1002	1	580-1002	1	580-1002	1
32.	Large Cover Plate	580-1303	1	580-1303	1	580-1303	1	580-1303	1	580-1303	2
33.	Small Cover Plate	580-1304	1	580-1304	1	580-1304	1	580-1304	1	580-1304	2
34.	Warranty Card - Metal	—	1	—	1	—	1	—	1	—	1
35.	"Warning" Sign	560-1046	1	560-1046	1	560-1046	1	560-1046	1	560-1046	1
36.	"Read Me First" Booklet	573-2417	1	573-2417	1	573-2417	1	573-2417	1	573-2417	1
37.	Black Marking Pen	332-1079	1	332-1079	1	332-1079	1	332-1079	1	332-1079	1
38.	Adhesive Squares	310-1034	6	310-1034	6	310-1034	6	310-1034	6	310-1034	6
39.	Safety Video	573-2500	1	573-2500	1	573-2500	1	573-2500	1	573-2500	1

*Screws are available in most hardware stores.

**For additional patch kits order Part No. 0-5604-000.

***Write the number of your liner in the spaces provided here and above. # _____

† One extra Decor Strip is provided.