

"the original portable pool"
doughboy®

High Country

Buttress Oval Pool

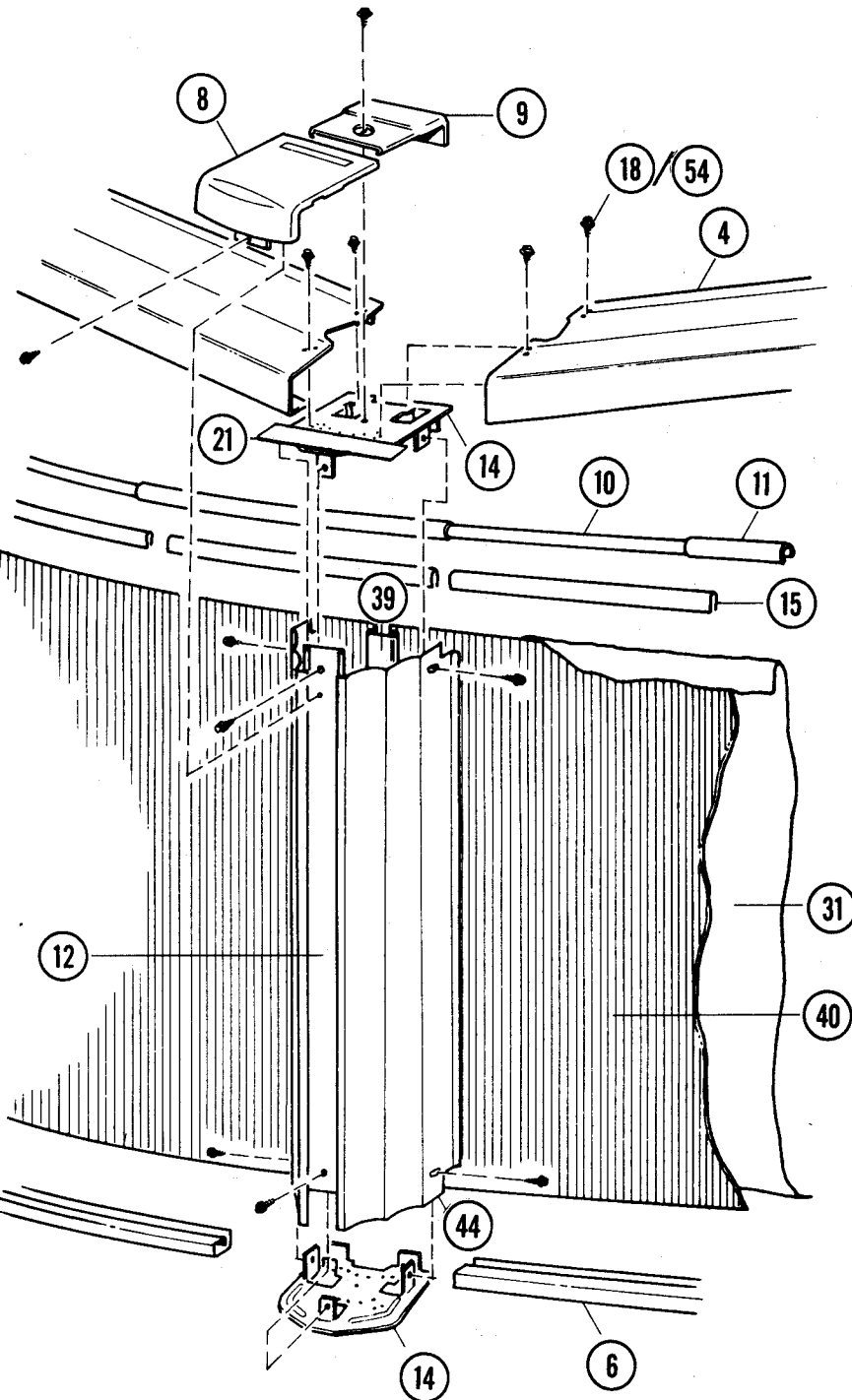
Parts List

*Screws are available in most hardware stores.

**For additional patch kits order Part No. 5604-00.

***These stabilizers are 46 $\frac{3}{8}$ " long and are used on ends only. P/N 583-1011 stabilizer (43 $\frac{1}{4}$ " long) used on sides (8 required).

****If you have received a liner other than the one listed above, write the number of your liner in the space provided. # _____



35

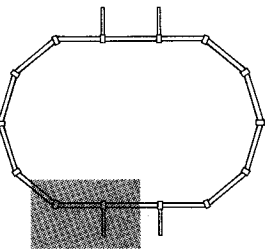
36

32

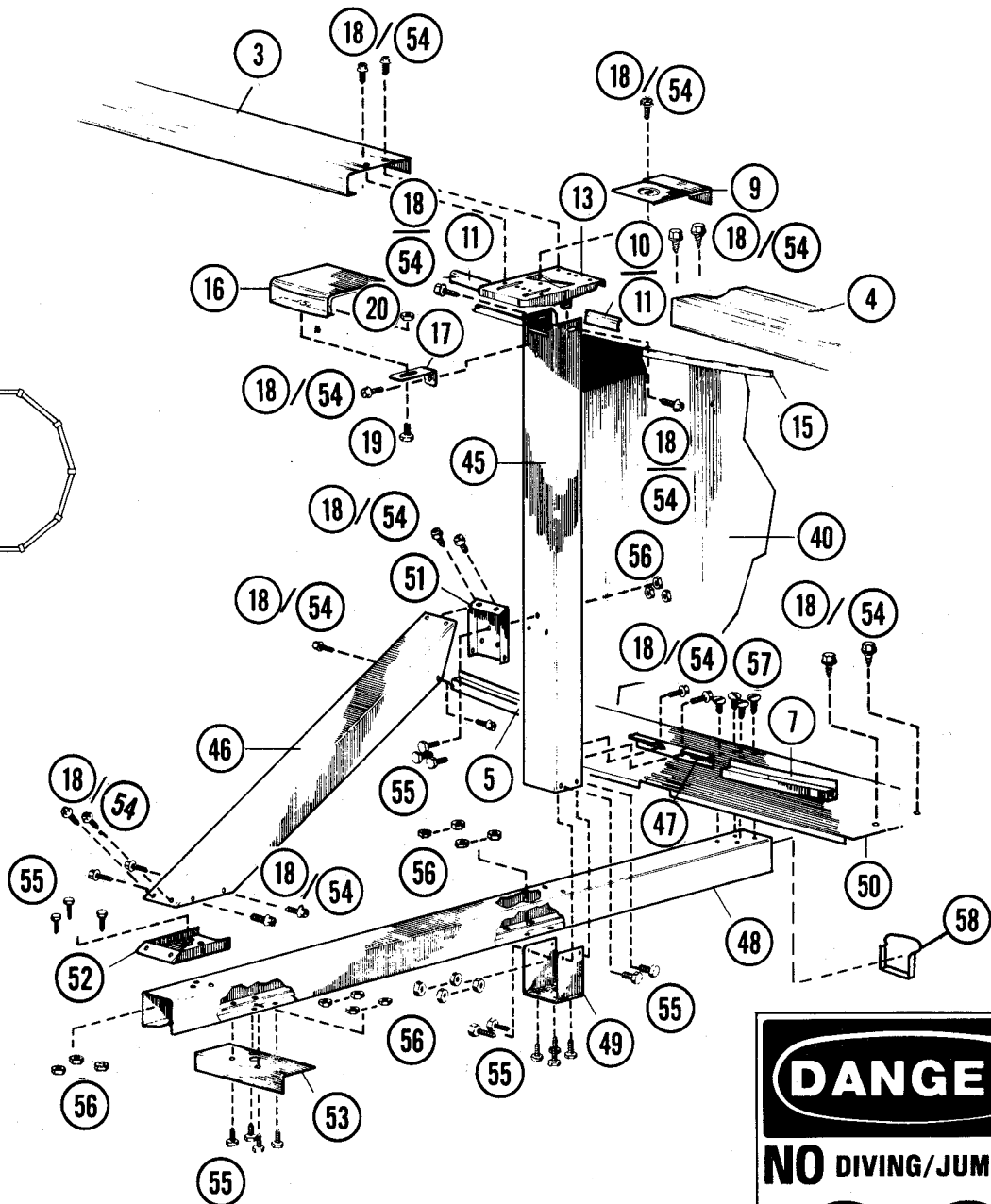
WATCH ALL POOL USERS
DANGER
DROWNING MAY OCCUR

25

Children Water



SIDE
VIEW



DANGER

NO DIVING/JUMPIN



PARTS LIST

ITEM #	DESCRIPTION	24' x 16' x 48'		32' x 16' x 48'		40' x 16' x 48'		34' x 18' x 48'		38' x 18' x 48'		41' x 21' x 48'	
		PART #	QTY.	PART #	QTY.	PART #	QTY.	PART #	QTY.	PART #	QTY.	PART #	QTY.
	FRAME PACK "A" CARTON	0-8646-005	1	0-8626-005	1	0-8606-005	1	0-8648-005	1	0-8688-005	1	0-8611-005	1
1.	Parts List	573-2358	1	573-2358	1	573-2358	1	573-2358	1	573-2358	1	573-2358	1
2.	Pool Assy./Installation Instructions	573-2368	1	573-2368	1	573-2368	1	573-2368	1	573-2368	1	573-2368	1
3.	Side Top Rail	587-1094	2	587-1094	6	587-1094	10	587-1094	6	587-1094	8	587-1094	8
4.	Top Rail	587-1093	14	587-1093	14	587-1093	14	587-1093	16	587-1093	16	587-1093	18
5.	Side Rail (Stamped S)	589-1052	2	589-1052	6	589-1052	10	589-1052	6	589-1052	8	589-1052	8
6.	Bottom Rail (Stamped 16, 18 or 21)	589-1047	10	589-1047	10	589-1047	10	589-1048	16	589-1048	16	589-1049	14
7.	Transition Rail (Stamped TR)	589-1053	4	589-1053	4	589-1053	4					589-1053	4
8.	6" Outer Connector (Ends)	580-1547	12	580-1547	12	580-1547	12					580-1547	16
9.	Inner Connector	5186-1155	16	5186-1155	20	5186-1155	24	5186-1155	22	5186-1155	24	5186-1155	26
10.	Stabilizer Rail, small dia.	583-1012	10	583-1012	10	583-1012	10	583-1012	10	583-1012	10	***583-1004	12
11.	Stabilizer Rail, large dia.	583-1011	10	583-1011	14	583-1011	18	583-1011	16	583-1011	18	***583-1005	10
12.	Vertical Center Section	580-1297	12	580-1297	12	580-1297	12	580-1297	14	580-1297	14	580-1297	16
13.	Side Vertical Cap	580-1184	4	580-1184	8	580-1184	12	580-1184	8	580-1184	10	580-1184	10
14.	Vertical End Cap	580-1147	24	580-1147	24	580-1147	24	580-1147	28	580-1147	28	580-1147	32
15.	Plastic Coping, 24"	545-1001	34	545-1001	42	545-1001	50	545-1001	44	545-1001	48	545-1001	53
16.	Outer Connector, 6" x 3" (Sides)	580-1545	4	580-1545	8	580-1545	12	580-1545	8	580-1545	10	580-1545	10
17.	Outer Connector Bracket	580-1197	4	580-1197	8	580-1197	12	580-1197	8	580-1197	10	580-1197	10
*18.	Sheet Metal Screw, No. 10 x 3/8" Type AB	510-1000	140	510-1000	136	510-1000	132	510-1000	168	510-1000	168	510-1000	182
*19.	Machine Screw, No. 10-24 x 1/2" pan head	510-1008	4	510-1008	8	510-1008	12	510-1008	8	510-1008	10	510-1008	10
*20.	Hex Nut, No. 10-24	420-1000	4	420-1000	8	420-1000	12	420-1000	8	420-1000	10	420-1000	10
21.	Support Plate	580-1181	12	580-1181	12	580-1181	12						
22.	Booklet — Enjoy Your Pool	573-2124	1	573-2124	1	573-2124	1	573-2124	1	573-2124	1	573-2124	1
23.	Safety First Handbook	573-2370	1	573-2370	1	573-2370	1	573-2370	1	573-2370	1	573-2370	1
24.	Brochure — Night Swimming & Lighting	573-2334	1	573-2334	1	573-2334	1	573-2334	1	573-2334	1	573-2234	1
25.	Brochure — Children Area	573-2338	1	573-2338	1	573-2338	1	573-2338	1	573-2338	1	573-2338	1
25A.	Brochure — Pool & Spa	573-2393	1	573-2393	1	573-2393	1	573-2393	1	573-2393	1	573-2393	1
26.	Danger Sign	560-1035	1	560-1035	1	560-1035	1	560-1035	1	560-1035	1	560-1035	1
27.	Adhesive Square	310-1034	4	310-1034	4	310-1034	4	310-1034	4	310-1034	4	310-1034	4
28.	Warranty Card	565-1071	1	565-1071	1	565-1071	1	565-1071	1	565-1071	1	565-1071	1
29.	Product Registration Card	565-1073	1	565-1073	1	565-1073	1	565-1073	1	565-1073	1	565-1073	1
	POOL LINER CARTON												
30.	Chlorine/Winterizing Instructions	369-1134	1	369-1134	1	369-1134	1	369-1134	1	369-1134	1	369-1134	1
****31.	Pool Liner — 20 Mil (Standard)	0-2416-720	1	0-3216-720	1	0-4016-720	1	0-3418-720	1	0-3818-720	1	0-4121-720	1
32.	"Danger" Decals	560-1036	2	560-1036	2	560-1036	2	560-1036	2	560-1036	2	560-1036	2
33.	Warranty Card	565-1062	1	565-1062	1	565-1062	1	565-1062	1	565-1062	1	565-1062	1
**34.	Repair Patch	564-1000	1	564-1000	1	564-1000	1	564-1000	1	564-1000	1	564-1000	1
35.	"Danger Deep Area" Decal	560-1037	2	560-1037	2	560-1037	2	560-1037	2	560-1037	2	560-1037	2
36.	Danger — Shallow 3 1/2 Ft.	560-1034	4	560-1034	4	560-1034	4	560-1034	4	560-1034	4	560-1034	4
37.	Danger Decal Installation Inst.	369-1133	1	369-1133	1	369-1133	1	369-1133	1	369-1133	1	369-1133	1
	SIDEWALL CARTON												
38.	Danger Decals	560-1036	2	560-1036	4	560-1036	4	560-1036	4	560-1036	4	560-1036	4
39.	Joint Piece	580-1002	1	580-1002	2	580-1002	2	580-1002	2	580-1002	2	580-1002	2
40.	Sidewall — High Country	0-6608-046	1	0-6608-026	2	0-6608-006	2	0-6608-048	2	0-6608-088	2	0-6608-011	2
41.	Large Cover Plate — High Country	580-1303	1	580-1303	2	580-1303	2	580-1303	2	580-1303	2	580-1303	2
42.	Small Cover Plate — High Country	580-1304	1	580-1304	2	580-1304	2	580-1304	2	580-1304	2	580-1304	2
43.	Warranty Card	565-1071	1	565-1071	2	565-1071	2	565-1071	2	565-1071	2	565-1071	2
	Danger Decal Installation Inst.	369-1133	1	369-1133	1	369-1133	1	369-1133	1	369-1133	1	369-1133	1
	FRAME PACK "B" CARTON	0-9699-001	1	0-9699-001	1	0-9699-001	1	0-9618-090	1	0-9618-090	1	0-9621-090	1
44.	Vertical Side Section	580-1298	24	580-1298	24	580-1298	24	580-1298	28	580-1298	28	580-1298	32
	SUPPORT PACK 4 — CARTON	0-8888-076	1	0-8888-076	2			0-8888-076	2	0-8888-076	1	0-8888-076	1
	SUPPORT PACK 6 — CARTON					0-8888-078	2			0-8888-078	1	0-8888-078	1
45.	Side Vertical	580-1300	4	580-1300	8	580-1300	12	580-1300	8	580-1300	10	580-1300	10
46.	Vertical Brace	580-1301	4	580-1301	8	580-1301	12	580-1301	8	580-1301	10	580-1301	10
47.	Bottom Rail Connector	580-1135	4	580-1135	8	580-1135	12	580-1135	8	580-1135	10	580-1135	10
48.	Horizontal Support	580-1275	4	580-1275	8	580-1275	12	580-1275	8	580-1275	10	580-1275	10
49.	Support Bracket	580-1136	4	580-1136	8	580-1136	12	580-1136	8	580-1136	10	580-1136	10
50.	Pressure Pad	580-1273	4	580-1273	8	580-1273	12	580-1273	8	580-1273	10	580-1273	10
51.	Brace, Connector - short	580-1302	4	580-1302	8	580-1302	12	580-1302	8	580-1302	10	580-1302	10
52.	Brace, Connector - long	580-1051	4	580-1051	8	580-1051	12	580-1051	8	580-1051	10	580-1051	10
53.	Skid Plate	580-1063	4	580-1063	8	580-1063	12	580-1063	8	580-1063	10	580-1063	10
*54.	Sheet Metal Screw, No. 10 x 3/8" Type AB	510-1000	92	510-1000	184	510-1000	276	510-1000	184	510-1000	230	510-1000	230
*55.	High Strength Bolt 1/4" - 20 x 1/2", hex head	510-1018	72	510-1018	144	510-1018	216	510-1018	144	510-1018	180	510-1018	180
*56.	Hex Nut, 1/4"-20	511-1000	72	511-1000	144	511-1000	216	511-1000	144	511-1000	180	511-1000	180
*57.	Hex Washer/Sheet Metal Screw, No. 12 x 3/4"	510-1035	16	510-1035	32	510-1035	48	510-1035	32	510-1035	40	510-1035	40
58.	Horizontal End Cap	580-1412	4	580-1412	8	580-1412	12	580-1412	8	580-1412	10	580-1412	10