

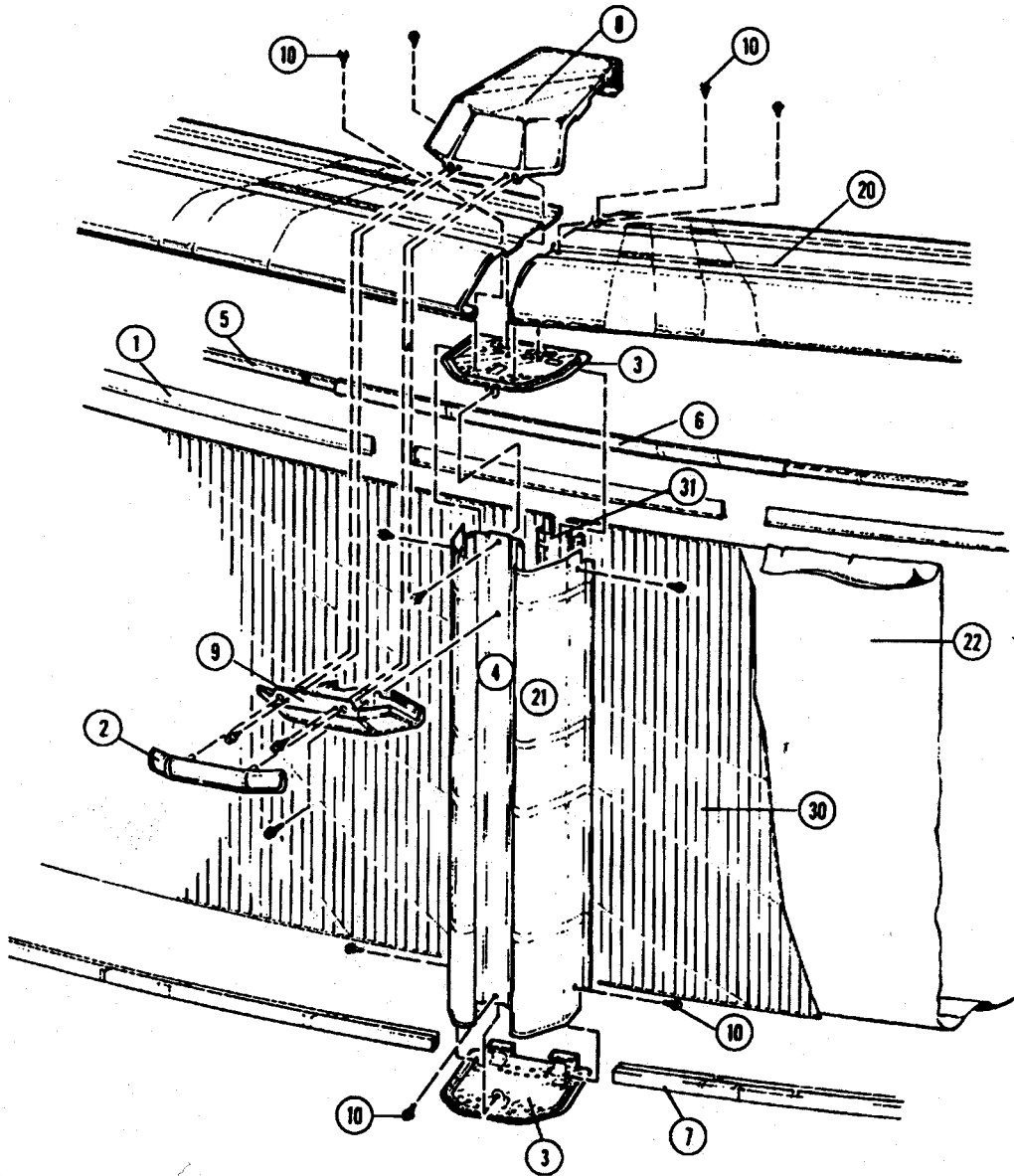
"the original portable pool"

doughboy[®]

Granite Ridge

Round Pool

END
VIEW



Granite Ridge Round Pool — Parts List

ITEM #	DESCRIPTION	12' x 48"		16' x 48"		18' x 48"		21' x 48"		24' x 48"		28' x 48"	
		PART #	QTY.	PART #	QTY.	PART #	QTY.	PART #	QTY.	PART #	QTY.	PART #	QTY.
ASSEMBLY PACK													
1.	Plastic Coping, 24"	0-9912-902	1	0-9916-902	1	0-9918-902	1	0-9921-902	1	0-9924-902	1	0-9928-902	1
†2.	Connector Decor Strip	545-1001	22	545-1001	28	545-1001	30	545-1001	35	545-1001	40	545-1001	46
3.	Vertical End Cap	340-1855	11	340-1855	13	340-1855	15	340-1855	17	340-1855	19	340-1855	22
4.	Vertical Center Section	580-1587	20	580-1587	24	580-1587	28	580-1587	32	580-1587	36	580-1587	42
5.	Stabilizer Rail, small dia.	580-1766	10	580-1766	12	580-1766	14	580-1766	16	580-1766	18	580-1766	21
6.	Stabilizer Rail, large dia.	583-1012	6	583-1012	8	583-1012	9	583-1004	10	583-1004	11	583-1004	13
7.	Bottom Rail	583-1011	6	583-1011	8	583-1011	9	583-1005	10	583-1005	11	583-1005	13
8.	Top Connector	589-1046	10	589-1047	12	589-1048	14	589-1049	16	589-1050	18	589-1051	21
9.	Connector Skirt	5186-1202	10	5186-1202	12	5186-1202	14	5186-1202	16	5186-1202	18	5186-1202	21
*10.	Sheet Metal Screw, # 10 x 3/8", Type AB	580-1768	10	580-1768	12	580-1768	14	580-1768	16	580-1768	18	580-1768	21
11.	Pool Parts List	510-1000	130	510-1000	156	510-1000	186	510-1000	208	510-1000	234	510-1000	273
12.	Pool Installation Instructions	573-2832	1	573-2832	1	573-2832	1	573-2832	1	573-2832	1	573-2832	1
13.	"Read Me First" Booklet	573-2828	1	573-2828	1	573-2828	1	573-2828	1	573-2828	1	573-2828	1
14.	"Enjoy Your Pool" Booklet	573-2777	1	573-2777	1	573-2777	1	573-2777	1	573-2777	1	573-2777	1
15.	"Safety First" Booklet	573-2743	1	573-2743	1	573-2743	1	573-2743	1	573-2743	1	573-2743	1
16.	"Children Aren't . . ." Brochure	573-2778	1	573-2778	1	573-2778	1	573-2778	1	573-2778	1	573-2778	1
17.	"Pool & Spa . . ." Brochure	573-2338	1	573-2338	1	573-2338	1	573-2338	1	573-2338	1	573-2338	1
18.	Warranty Card - Metal	573-2393	1	573-2393	1	573-2393	1	573-2393	1	573-2393	1	573-2393	1
19.	Product Registration Card	—	1	—	1	—	1	—	1	—	1	—	1
TOP RAIL PACK													
20.	Top Rail	0-9801-902	1	0-9812-902	1	0-9814-902	1	0-9816-902	1	0-9809-902	2	0-9809-902	1
												0-9812-902	1
												587-1286	21
VERTICAL PACK													
21.	Vertical Side Section	0-9710-902	1	0-9712-902	1	0-9714-902	1	0-9716-902	1	0-9718-902	1	0-9721-902	1
		580-1767	20	580-1767	24	580-1767	28	580-1767	32	580-1767	36	580-1767	42
POOL LINER CARTON													
**22.	Pool Liner	0-1248-___	1	0-1648-___	1	0-1848-___	1	0-2148-___	1	0-2448-___	1	0-2848-___	1
23.	Chlorine/Winterizing Instructions	573-2421	1	573-2421	1	573-2421	1	573-2421	1	573-2421	1	573-2421	1
23A.	Installation Instruction Sheet	369-1145	1	369-1145	1	369-1145	1	369-1145	1	369-1145	1	369-1145	1
24.	"Warning" Decal	560-1041	3	560-1041	3	560-1041	3	560-1041	3	560-1041	3	560-1041	3
25.	Warranty Card - Liner	—	1	—	1	—	1	—	1	—	1	—	1
**26.	Repair Patch	564-1000	1	564-1000	1	564-1000	1	564-1000	1	564-1000	1	564-1000	1
27.	"Deeper Area" Decal	560-1042	2	560-1042	2	560-1042	2	560-1042	2	560-1042	2	560-1042	2
28.	"Shallow" Decal	560-1043	3	560-1043	3	560-1043	3	560-1043	3	560-1043	3	560-1043	3
29.	"Read Me First" Booklet	573-2777	1	573-2777	1	573-2777	1	573-2777	1	573-2777	1	573-2777	1
SIDEWALL CARTON													
30.	Sidewall	0-6208-012	1	0-6208-016	1	0-6208-018	1	0-6208-021	1	0-6208-024	1	0-6208-028	1
31.	Joint Piece	580-1002	1	580-1002	1	580-1002	1	580-1002	1	580-1002	1	580-1002	1
32.	Large Cover Plate											580-1770	1
33.	Small Cover Plate											580-1771	1
34.	"Warning" Sign	560-1046	1	560-1046	1	560-1046	1	560-1046	1	560-1046	1	560-1046	1
35.	"Read Me First" Booklet	573-2777	1	573-2777	1	573-2777	1	573-2777	1	573-2777	1	573-2777	1
36.	Adhesive Squares	310-1034	6	310-1034	6	310-1034	6	310-1034	6	310-1034	6	310-1034	6
37.	Safety Video	573-2500	1	573-2500	1	573-2500	1	573-2500	1	573-2500	1	573-2500	1

*Screws are available in most hardware stores.

**For additional patch kits order Part No. 0-5604-000.

***Write the number of your liner in the spaces provided here and above. # _____

† One extra Decor Strip is provided.