

"the original portable pool"

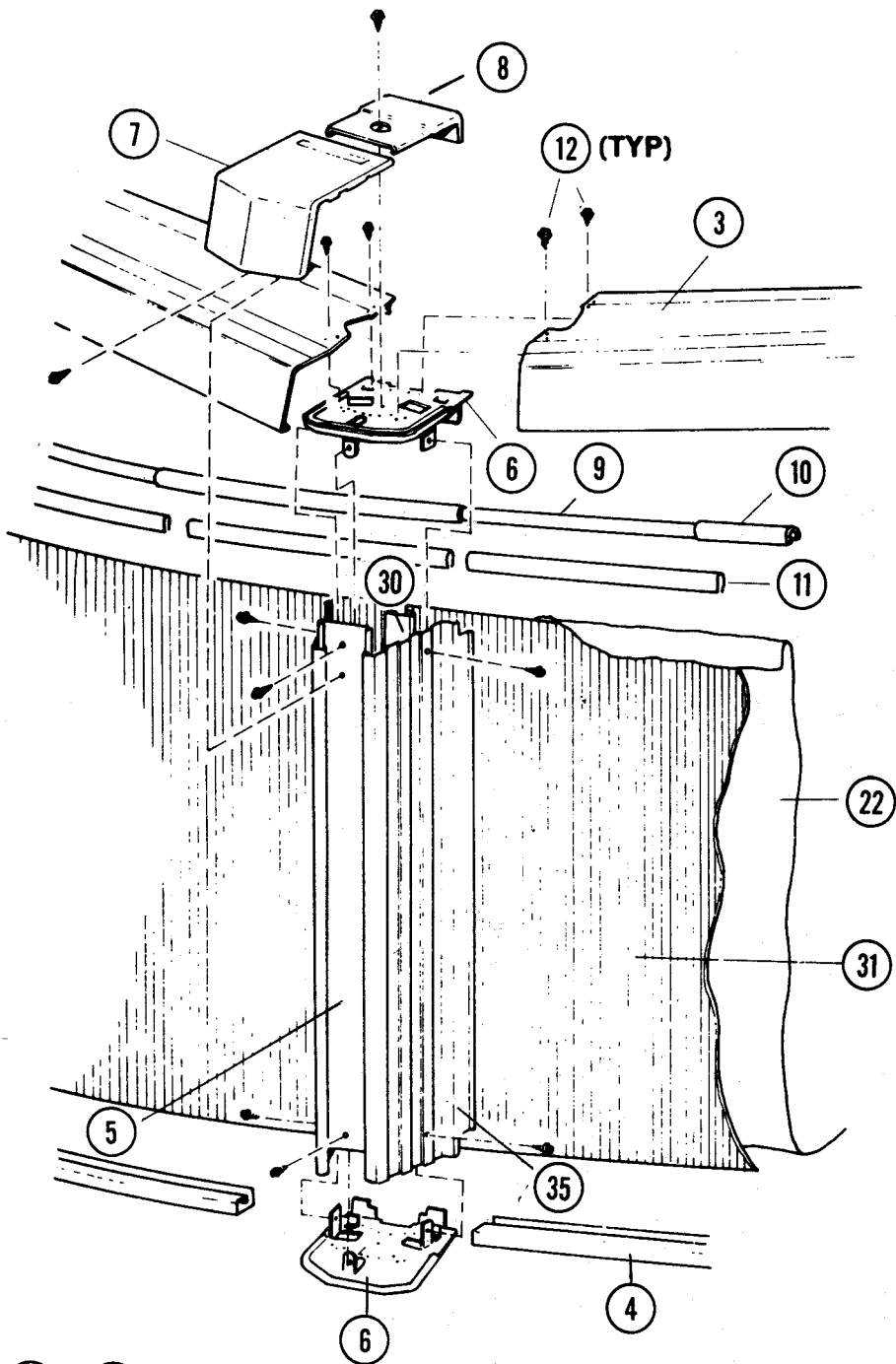
**doughboy®**

# Cedar Ridge

## Round Pool

---

---



| ITEM # | DESCRIPTION                           | 16' x 48"  |      | 18' x 48"  |      | 21' x 48"  |      | 24' x 48"  |      | 28' x 48"  |      |
|--------|---------------------------------------|------------|------|------------|------|------------|------|------------|------|------------|------|
|        |                                       | PART #     | QTY. | PART #     | QTY. | PART #     | QTY. | PART #     | QTY. | PART #     | QTY. |
|        | <b>FRAME PACK "A" CARTON</b>          | 0-9616-177 | 1    | 0-9618-177 | 1    | 0-9621-177 | 1    | 0-9624-177 | 1    | 0-9628-177 | 1    |
| 1.     | Parts List                            | 573-2361   | 1    | 573-2361   | 1    | 573-2361   | 1    | 573-2361   | 1    | 573-2361   | 1    |
| 2.     | Pool Assy./Installation Instructions  | 573-2367   | 1    | 573-2367   | 1    | 573-2367   | 1    | 573-2367   | 1    | 573-2367   | 1    |
| 3.     | Top Rail                              | 587-1132   | 12   | 587-1132   | 14   | 587-1132   | 16   | 587-1132   | 18   | 587-1132   | 21   |
| 4.     | Bottom Rail                           | 589-1047   | 12   | 589-1048   | 14   | 589-1049   | 16   | 589-1050   | 18   | 589-1051   | 21   |
| 5.     | Vertical Center Section               | 580-1429   | 12   | 580-1429   | 14   | 580-1429   | 16   | 580-1429   | 18   | 580-1429   | 21   |
| 6.     | Vertical End Cap                      | 580-1183   | 24   | 580-1183   | 28   | 580-1183   | 32   | 580-1183   | 36   | 580-1183   | 42   |
| 7.     | 6" Outer Connector                    | 580-1548   | 12   | 580-1548   | 14   | 580-1548   | 16   | 580-1548   | 18   | 580-1548   | 21   |
| 8.     | Inner Connector                       | 5186-1155  | 12   | 5186-1155  | 14   | 5186-1155  | 16   | 5186-1155  | 18   | 5186-1155  | 21   |
| 9.     | Stabilizer Rail, small dia.           | 583-1012   | 8    | 583-1012   | 9    | 583-1004   | 10   | 583-1004   | 11   | 583-1004   | 13   |
| 10.    | Stabilizer Rail, large dia.           | 583-1011   | 8    | 583-1011   | 9    | 583-1005   | 10   | 583-1005   | 11   | 583-1005   | 13   |
| 11.    | Coping, 24"                           | 545-1001   | 26   | 545-1001   | 28   | 545-1001   | 33   | 545-1001   | 38   | 545-1001   | 44   |
| *12.   | #10 x 3/8" Lg. Washer<br>Hd. Screw    | 510-1000   | 144  | 510-1000   | 168  | 510-1000   | 192  | 510-1000   | 216  | 510-1000   | 252  |
| 13.    | Booklet — Enjoy Your Pool             | 573-2124   | 1    | 573-2124   | 1    | 573-2124   | 1    | 573-2124   | 1    | 573-2124   | 1    |
| 14.    | Safety First Handbook                 | 573-2370   | 1    | 573-2370   | 1    | 573-2370   | 1    | 573-2370   | 1    | 573-2370   | 1    |
| 15.    | Brochure—Night Swimming<br>& Lighting | 573-2334   | 1    | 573-2334   | 1    | 573-2334   | 1    | 573-2334   | 1    | 573-2334   | 1    |
| 16.    | Brochure—Children Aren't              | 573-2338   | 1    | 573-2338   | 1    | 573-2338   | 1    | 573-2338   | 1    | 573-2338   | 1    |
| 16A.   | Brochure—Pool & Spa                   | 573-2393   | 1    | 573-2393   | 1    | 573-2393   | 1    | 573-2393   | 1    | 573-2393   | 1    |
| 17.    | Danger Sign                           | 560-1035   | 1    | 560-1035   | 1    | 560-1035   | 1    | 560-1035   | 1    | 560-1035   | 1    |
| 18.    | Adhesive Square                       | 310-1034   | 4    | 310-1034   | 4    | 310-1034   | 4    | 310-1034   | 4    | 310-1034   | 4    |
| 19.    | Warranty Card                         | 565-1072   | 1    | 565-1072   | 1    | 565-1072   | 1    | 565-1072   | 1    | 565-1072   | 1    |
| 20.    | Product Registration Card             | 565-1073   | 1    | 565-1073   | 1    | 565-1073   | 1    | 565-1073   | 1    | 565-1073   | 1    |
|        | <b>POOL LINER CARTON</b>              |            |      |            |      |            |      |            |      |            |      |
| 21.    | Chlorine/Winterizing<br>Instructions  | 369-1134   | 1    | 369-1134   | 1    | 369-1134   | 1    | 369-1134   | 1    | 369-1134   | 1    |
| ***22. | Pool Liner — 20 Mil<br>(Standard)     | 0-1648-720 | 1    | 0-1848-720 | 1    | 0-2148-720 | 1    | 0-2448-720 | 1    | 0-2848-720 | 1    |
| 23.    | Danger Decal                          | 560-1036   | 2    | 560-1036   | 2    | 560-1036   | 2    | 560-1036   | 2    | 560-1036   | 2    |
| 24.    | Warranty Card                         | 565-1062   | 1    | 565-1062   | 1    | 565-1062   | 1    | 565-1062   | 1    | 565-1062   | 1    |
| **25.  | Repair Patch                          | 564-1000   | 1    | 564-1000   | 1    | 564-1000   | 1    | 564-1000   | 1    | 564-1000   | 1    |
| 26.    | "Danger Deep Area" Decal              | 560-1037   | 2    | 560-1037   | 2    | 560-1037   | 2    | 560-1037   | 2    | 560-1037   | 2    |
| 27.    | Danger—Shallow-3½ Ft.                 | 560-1034   | 4    | 560-1034   | 4    | 560-1034   | 4    | 560-1034   | 4    | 560-1034   | 4    |
| 28.    | Danger Decal Installation Inst.       | 369-1133   | 1    | 369-1133   | 1    | 369-1133   | 1    | 369-1133   | 1    | 369-1133   | 1    |
|        | <b>SIDEWALL CARTON</b>                |            |      |            |      |            |      |            |      |            |      |
| 29.    | Danger Decal                          | 560-1036   | 2    | 560-1036   | 2    | 560-1036   | 2    | 560-1036   | 2    | 560-1036   | 2    |
| 30.    | Joint Piece                           | 580-1002   | 1    | 580-1002   | 1    | 580-1002   | 1    | 580-1002   | 1    | 580-1002   | 1    |
| 31.    | Sidewall                              | 0-6708-116 | 1    | 0-6708-118 | 1    | 0-6708-121 | 1    | 0-6708-124 | 1    | 0-6708-128 | 1    |
| 32.    | Large Cover Plate                     | 580-1433   | 1    | 580-1433   | 1    | 580-1433   | 1    | 580-1433   | 1    | 580-1433   | 2    |
| 33.    | Small Cover Plate                     | 580-1434   | 1    | 580-1434   | 1    | 580-1434   | 1    | 580-1434   | 1    | 580-1434   | 2    |
| 34.    | Warranty Card                         | 565-1072   | 1    | 565-1072   | 1    | 565-1072   | 1    | 565-1072   | 1    | 565-1072   | 1    |
|        | Danger Decal Installation Inst.       | 369-1133   | 1    | 369-1133   | 1    | 369-1133   | 1    | 369-1133   | 1    | 369-1133   | 1    |
|        | <b>FRAME PACK "B" CARTON</b>          | 0-9699-177 | 1    | 0-9618-187 | 1    | 0-9621-187 | 1    | 0-9624-187 | 1    | 0-9628-187 | 1    |
| 35.    | Vertical Side Section                 | 580-1432   | 24   | 580-1432   | 28   | 580-1432   | 32   | 580-1432   | 36   | 580-1432   | 42   |