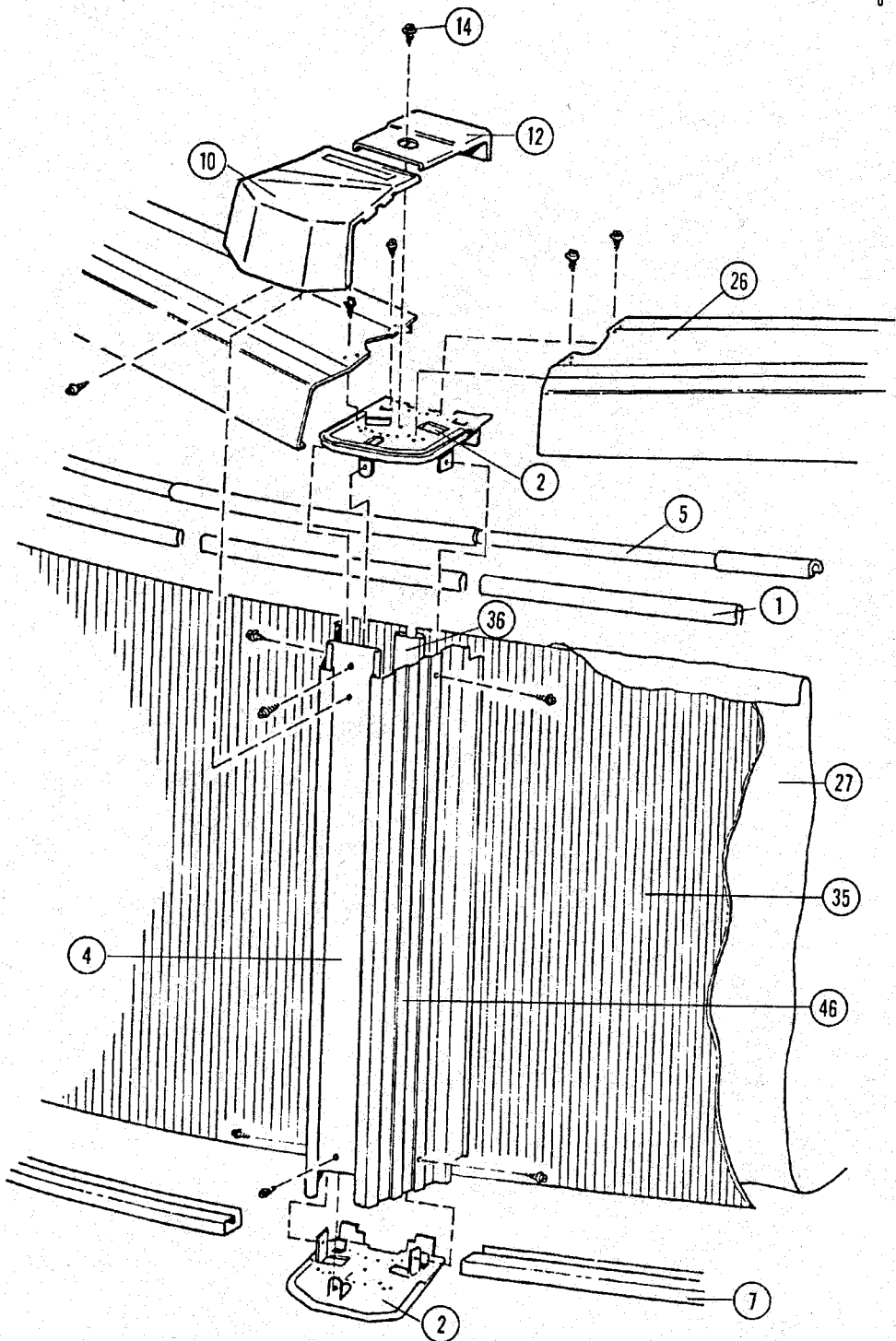


"the original portable pool"

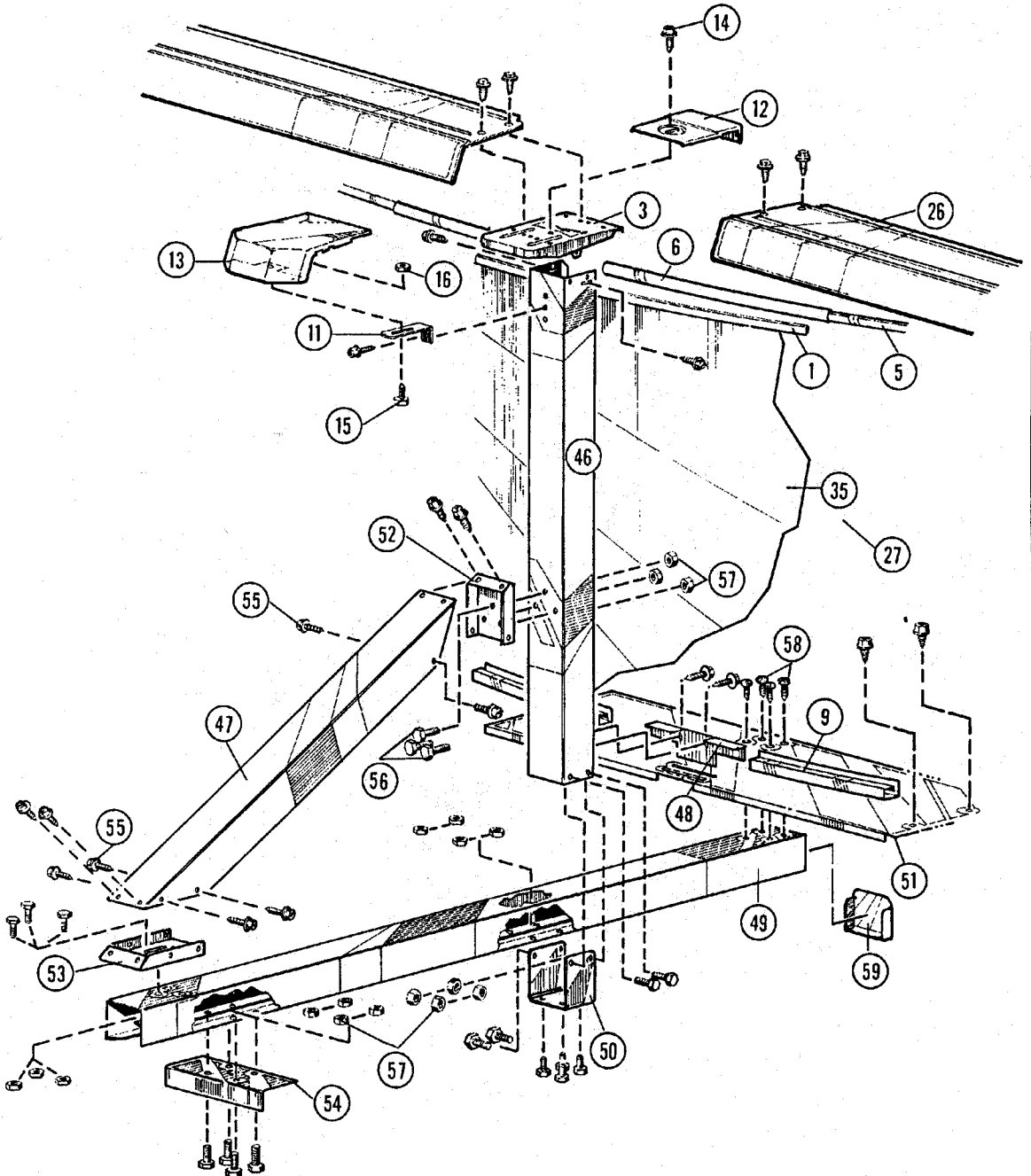
doughboy®

Cedar Ridge II

Buttress Oval Pool



SIDE
VIEW



Cedar Ridge II Buttress Oval Pool — Parts List

ITEM #	DESCRIPTION	24' x 16' x 48"		28' x 16' x 48"		32' x 16' x 48"		40' x 16' x 48"	
		PART #	QTY.	PART #	QTY.	PART #	QTY.	PART #	QTY.
	ASSEMBLY PACK	0-9946-700	1	0-9986-700	1	0-9926-700	1	0-9906-700	1
1.	Plastic Coping, 24"	545-1001	34	545-1001	38	545-1001	42	545-1001	50
2.	Vertical End Cap	580-1619	24	580-1619	24	580-1619	24	580-1619	24
3.	Side Vertical Cap	580-1588	4	580-1588	6	580-1588	8	580-1588	12
4.	Vertical Center Section	580-1429	12	580-1429	12	580-1429	12	580-1429	12
5.	Stabilizer Rail, small	583-1012	10	583-1012	10	583-1012	10	583-1012	10
6.	Stabilizer Rail, large	583-1011	10	583-1011	12	583-1011	14	583-1011	18
7.	Bottom Rail (Stamped 16, 18 or 21)	589-1047	10	589-1047	10	589-1047	10	589-1047	10
8.	Side Rail (Stamped S)	589-1052	2	589-1052	4	589-1052	6	589-1052	10
9.	Transition Rail (Stamped TR)	589-1053	4	589-1053	4	589-1053	4	589-1053	4
10.	6" Outer Connector (Ends)	580-1621	12	580-1621	12	580-1621	12	580-1621	12
11.	Outer Connector Bracket	580-1629	4	580-1629	6	580-1629	8	580-1629	12
12.	Inner Connector	5186-1185	16	5186-1185	18	5186-1185	20	5186-1185	24
13.	Outer Connector, 6" x 3" (Side)	580-1623	4	580-1623	6	580-1623	8	580-1623	12
*14.	#10 x 3/8" Lg. Hex Washer Hd. Screw	510-1000	156	510-1000	156	510-1000	156	510-1000	156
*15.	Machine Screw, #10-24 x 1/2" pan head	510-1008	4	510-1008	6	510-1008	8	510-1008	12
*16.	Square Nut, #10-24	321-1025	4	321-1025	6	321-1025	8	321-1025	12
17.	Pool Parts List	573-2495	1	573-2495	1	573-2495	1	573-2495	1
18.	Pool Installation Instructions	573-2479	1	573-2479	1	573-2479	1	573-2479	1
19.	"Read Me First" Booklet	573-2417	1	573-2417	1	573-2417	1	573-2417	1
20.	"Enjoy Your Pool" Booklet	573-2124	1	573-2124	1	573-2124	1	573-2124	1
21.	"Safety First" Booklet	573-2528	1	573-2528	1	573-2528	1	573-2528	1
22.	"Children Aren't . . ." Brochure	573-2338	1	573-2338	1	573-2338	1	573-2338	1
23.	"Pool & Spa . . ." Brochure	573-2393	1	573-2393	1	573-2393	1	573-2393	1
24.	Warranty Card - Metal	—	1	—	1	—	1	—	1
25.	Product Registration Card	565-1117	1	565-1117	1	565-1117	1	565-1117	1
	TOP RAIL PACK	0-9816-700	1	0-9818-700	1	0-9810-700	2	0-9812-700	2
26.	Top Rail	587-1204	16	587-1204	18	587-1204	20	587-1204	24
	POOL LINER CARTON								
****27.	Pool Liner	0-2416-___	1	0-2816-___	1	0-3216-___	1	0-4016-___	1
28.	Chlorine/Winterizing Instructions	573-2421	1	573-2421	1	573-2421	1	573-2421	1
29.	"Warning" Decal	560-1041	3	560-1041	3	560-1041	3	560-1041	3
30.	Warranty Card - Liner	—	1	—	1	—	1	—	1
**31.	Repair Patch	564-1000	1	564-1000	1	564-1000	1	564-1000	1
32.	"Deeper Area" Decal	560-1042	2	560-1042	2	560-1042	2	560-1042	2
33.	"Shallow" Decal	560-1043	3	560-1043	3	560-1043	3	560-1043	3
34.	"Read Me First" Booklet	573-2417	1	573-2417	1	573-2417	1	573-2417	1
	SIDEWALL CARTON								
35.	Sidewall	0-6708-146	1	0-6708-186	1	0-6708-126	2	0-6708-106	2
36.	Joint Piece	580-1002	1	580-1002	1	580-1002	2	580-1002	2
37.	Large Cover Plate	580-1433	1	580-1433	1	580-1433	2	580-1433	2
38.	Small Cover Plate	580-1434	1	580-1434	1	580-1434	2	580-1434	2
39.	Warranty Card - Metal	—	1	—	1	—	2	—	2
40.	"Warning" Sign	560-1046	1	560-1046	1	560-1046	2	560-1046	2
41.	"Read Me First" Booklet	573-2417	1	573-2417	1	573-2417	2	573-2417	2
42.	Black Marking Pen	332-1079	1	332-1079	1	332-1079	2	332-1079	2
43.	Adhesive Squares	310-1034	6	310-1034	6	310-1034	12	310-1034	12
44.	Safety Video	573-2500	1	573-2500	1	573-2500	2	573-2500	2
	VERTICAL PACK	0-9699-177	1	0-9699-177	1	0-9699-177	1	0-9699-177	1
45.	Vertical Side Section	580-1432	24	580-1432	24	580-1432	24	580-1432	24
	SUPPORT PACK 4 — CARTON	0-8888-006	1			0-8888-006	2		
	SUPPORT PACK 6 — CARTON			0-8888-007	1			0-8888-007	2
46.	Side Vertical	580-1655	4	580-1655	6	580-1655	8	580-1655	12
47.	Vertical Brace	580-1301	4	580-1301	6	580-1301	8	580-1301	12
48.	Bottom Rail Connector	580-1593	4	580-1593	6	580-1593	8	580-1593	12
49.	Horizontal Support	580-1275	4	580-1275	6	580-1275	8	580-1275	12
50.	Support Bracket	580-1136	4	580-1136	6	580-1136	8	580-1136	12
51.	Pressure Pad	580-1273	4	580-1273	6	580-1273	8	580-1273	12
52.	Brace, Connector — short	580-1302	4	580-1302	6	580-1302	8	580-1302	12
53.	Brace, Connector — long	580-1051	4	580-1051	6	580-1051	8	580-1051	12
54.	Skid Plate	580-1063	4	580-1063	6	580-1063	8	580-1063	12
*55.	#10 x 3/8" Lg. Hex Washer Hd. Screw	510-1000	92	510-1000	138	510-1000	184	510-1000	276
*56.	High Strength Bolt 1/4"-20 x 1/2", hex head	510-1018	72	510-1018	108	510-1018	144	510-1018	216
*57.	Hex Nut, 1/4-20	511-1000	72	511-1000	108	511-1000	144	511-1000	216
*58.	Hex Washered/Sheet Metal Screw, #12 x 3/4"	510-1035	16	510-1035	24	510-1035	32	510-1035	48
59.	Horizontal End Cap	580-1412	4	580-1412	6	580-1412	8	580-1412	12

*Screws are available in most hardware stores.

**For additional patch kits order Part No. 0-5604-000.

***These stabilizers are 46 3/8" long and are used on ends only. P/N 583-1011 stabilizer (43 1/4" long) used on sides (8 required).

****Write the number of your liner in the spaces provided here and above. #

Cedar Ridge II Buttress Oval Pool— Parts List

ITEM #	DESCRIPTION	30' X 18' X 48"		34' x 18' x 48"		38' x 18' x 48"		41' x 21' x 48"	
		PART #	QTY.	PART #	QTY.	PART #	QTY.	PART #	QTY.
	ASSEMBLY PACK	0-9908-700	1	0-9948-700	1	0-9988-700	1	0-9911-700	1
1.	Plastic Coping, 24"	545-1001	40	545-1001	44	545-1001	48	545-1001	53
2.	Vertical End Cap	580-1619	28	580-1619	28	580-1619	28	580-1619	32
3.	Side Vertical Cap	580-1588	6	580-1588	8	580-1588	10	580-1588	10
4.	Vertical Center Section	580-1429	14	580-1429	14	580-1429	14	580-1429	16
5.	Stabilizer Rail, small	583-1012	10	583-1012	10	583-1012	10	***583-1004	12
6.	Stabilizer Rail, large	583-1011	14	583-1011	16	583-1011	18	***583-1005	10
7.	Bottom Rail (Stamped 16, 18 or 21)	589-1048	16	589-1048	16	589-1048	16	589-1048	14
8.	Side Rail (Stamped S)	589-1052	4	589-1052	6	589-1052	8	589-1052	8
9.	Transition Rail (Stamped TR)							589-1053	4
10.	6" Outer Connector (Ends)	580-1621	14	580-1621	14	580-1621	14	580-1621	16
11.	Outer Connector Bracket	580-1629	6	580-1629	8	580-1629	10	580-1629	10
12.	Inner Connector	5186-1185	20	5186-1185	22	5186-1185	24	5186-1185	26
13.	Outer Connector, 6" x 3" (Side)	580-1623	6	580-1623	8	580-1623	10	580-1623	10
*14.	#10 x 3/8" Lg. Hex Washer Hd. Screw	510-1000	186	510-1000	186	510-1000	186	510-1000	208
*15.	Machine Screw, #10-24 x 1/2" pan head			510-1008	8	510-1008	10	510-1008	10
*16.	Square Nut, #10-24	321-1025	6	321-1025	8	321-1025	10	321-1025	10
17.	Pool Parts List	573-2495	1	573-2495	1	573-2495	1	573-2495	1
18.	Pool Installation Instructions	573-2479	1	573-2479	1	573-2479	1	573-2479	1
19.	"Read Me First" Booklet	573-2417	1	573-2417	1	573-2417	1	573-2417	1
20.	"Enjoy Your Pool" Booklet	573-2124	1	573-2124	1	573-2124	1	573-2124	1
21.	"Safety First" Booklet	573-2528	1	573-2528	1	573-2528	1	573-2528	1
22.	"Children Aren't . . ." Brochure	573-2338	1	573-2338	1	573-2338	1	573-2338	1
23.	"Pool & Spa . . ." Brochure	573-2393	1	573-2393	1	573-2393	1	573-2393	1
24.	Warranty Card - Metal	—	1	—	1	—	1	—	1
25.	Product Registration Card	565-1117	1	565-1117	1	565-1117	1	565-1117	1
	TOP RAIL PACK	0-9810-700	2	0-9810-700	1	0-9812-700	2	0-9812-700	1
26.	Top Rail	587-1204	20	587-1204	22	587-1204	24	587-1204	26
	POOL LINER CARTON								
***27.	Pool Liner	0-3018-___	1	0-3418-___	1	0-3818-___	1	0-4121-___	1
28.	Chlorine/Winterizing Instructions	573-2421	1	573-2421	1	573-2421	1	573-2421	1
29.	"Warning" Decal	560-1041	3	560-1041	3	560-1041	3	560-1041	3
30.	Warranty Card - Liner	—	1	—	1	—	1	—	1
**31.	Repair Patch	564-1000	1	564-1000	1	564-1000	1	564-1000	1
32.	"Deeper Area" Decal	560-1042	2	560-1042	2	560-1042	2	560-1042	2
33.	"Shallow" Decal	560-1043	3	560-1043	3	560-1043	3	560-1043	3
34.	"Read Me First" Booklet	573-2417	1	573-2417	1	573-2417	1	573-2417	1
	SIDEWALL CARTON								
35.	Sidewall	0-6708-008	2	0-6708-148	2	0-6708-188	2	0-6708-111	2
36.	Joint Piece	580-1002	2	580-1002	2	580-1002	2	580-1002	2
37.	Large Cover Plate	580-1433	2	580-1433	2	580-1433	2	580-1433	2
38.	Small Cover Plate	580-1434	2	580-1434	2	580-1434	2	580-1434	2
39.	Warranty Card - Metal	—	2	—	2	—	2	—	2
40.	"Warning" Sign	560-1046	2	560-1046	2	560-1046	2	560-1046	2
41.	"Read Me First" Booklet	573-2417	2	573-2417	2	573-2417	2	573-2417	2
42.	Black Marking Pen	332-1079	2	332-1079	2	332-1079	2	332-1079	2
43.	Adhesive Squares	310-1034	12	310-1034	12	310-1034	12	310-1034	12
44.	Safety Video	573-2500	2	573-2500	2	573-2500	2	573-2500	2
	VERTICAL PACK	0-9618-187	1	0-9618-187	1	0-9618-187	1	0-9621-187	1
45.	Vertical Side Section	580-1432	28	580-1432	28	580-1432	28	580-1432	32
	SUPPORT PACK 4 — CARTON			0-8888-006	2	0-8888-006	1	0-8888-006	1
	SUPPORT PACK 6 — CARTON	0-8888-007	1			0-8888-007	1	0-8888-007	1
46.	Side Vertical	580-1655	6	580-1655	8	580-1655	10	580-1655	10
47.	Vertical Brace	580-1301	6	580-1301	8	580-1301	10	580-1301	10
48.	Bottom Rail Connector	580-1593	6	580-1593	8	580-1593	10	580-1593	10
49.	Horizontal Support	580-1275	6	580-1275	8	580-1275	10	580-1275	10
50.	Support Bracket	580-1136	6	580-1136	8	580-1136	10	580-1136	10
51.	Pressure Pad	580-1273	6	580-1273	8	580-1273	10	580-1273	10
52.	Brace, Connector — short	580-1302	6	580-1302	8	580-1302	10	580-1302	10
53.	Brace, Connector — long	580-1051	6	580-1051	8	580-1051	10	580-1051	10
54.	Skid Plate	580-1063	6	580-1063	8	580-1063	10	580-1063	10
*55.	#10 x 3/8" Lg. Hex Washer Hd. Screw	510-1000	138	510-1000	184	510-1000	230	510-1000	230
*56.	High Strength Bolt 1/4"-20 x 1/2", hex head	510-1018	108	510-1018	144	510-1018	180	510-1018	180
*57.	Hex Nut, 1/4-20	511-1000	108	511-1000	144	511-1000	180	511-1000	180
*58.	Hex Washer/Sheet Metal Screw, #12 x 3/4"	510-1035	24	510-1035	32	510-1035	40	510-1035	40
59.	Horizontal End Cap	580-1412	6	580-1412	8	580-1412	10	580-1412	10

*Screws are available in most hardware stores.

**For additional patch kits order Part No. 0-5604-000.

***These stabilizers are 46 3/8" long and are used on ends only. P/N 583-1011 stabilizer (43 1/4" long) used on sides (8 required).

****Write the number of your liner in the spaces provided here and above. # _____