

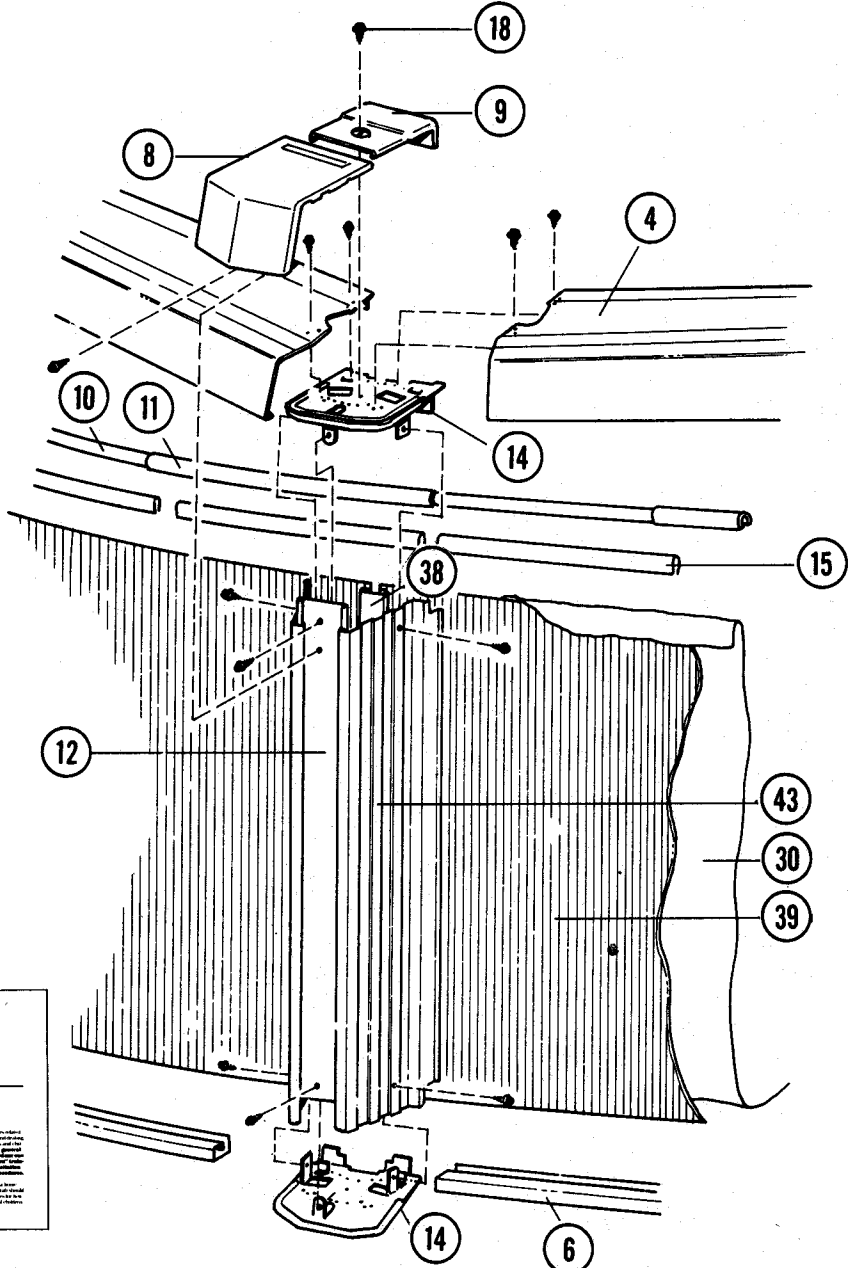
"the original portable pool"

doughboy[®]

Cedar Ridge

Buttress Oval Pool

Rental List



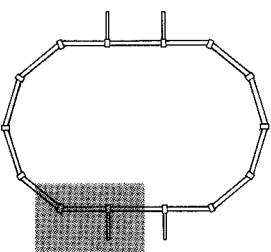
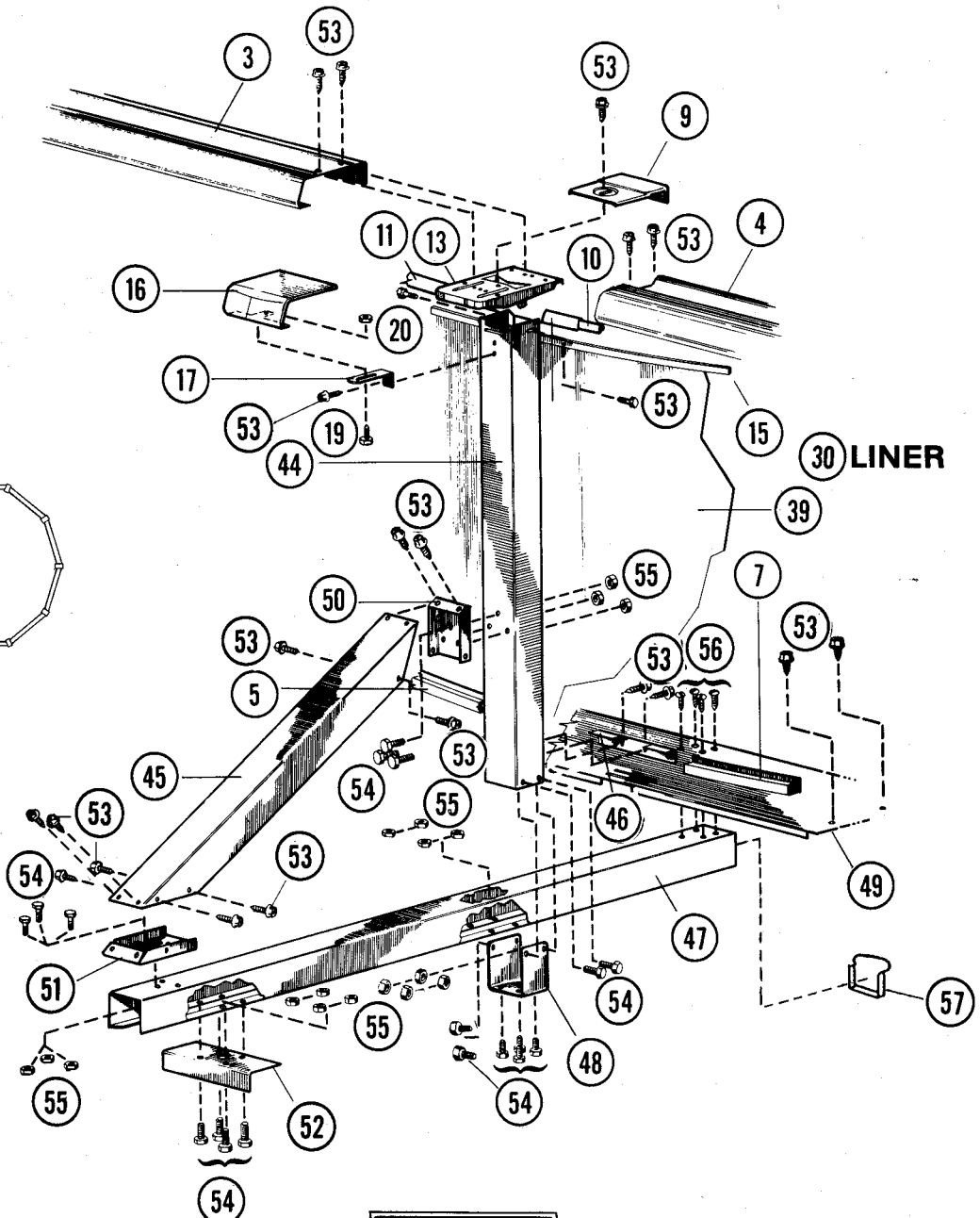
24A

**Read and Save
Emergency
Procedures
for Infants
and Children**

This baby has been tested and approved for use in motor vehicles. It is designed to protect the child in the event of a crash. It is not intended for use in other vehicles or for use in any other manner. For more information, please contact the manufacturer. ©1998 and other appropriate years.

31

37



PARTS LIST

ITEM #	DESCRIPTION	24' x 16' x 48''		32' x 16' x 48''		40' x 16' x 48''		34' x 18' x 48''		38' x 18' x 48''		41' x 21' x 48''	
		PART #	QTY.	PART #	QTY.	PART #	QTY.	PART #	QTY.	PART #	QTY.	PART #	QTY.
	FRAME PACK "A" CARTON	0-9646-187	1	0-9626-187	1	0-9606-187	1	0-9648-187	1	0-9688-187	1	0-9611-187	1
1.	Parts List	573-2362	1	573-2362	1	573-2362	1	573-2362	1	573-2362	1	573-2362	1
2.	Pool Assy./Installation Instructions	573-2368	1	573-2368	1	573-2368	1	573-2368	1	573-2368	1	573-2368	1
3.	Side Top Rail	587-1133	2	587-1133	6	587-1133	10	587-1133	6	587-1133	8	587-1133	8
4.	Top Rail	587-1132	14	587-1132	14	587-1132	14	587-1132	16	587-1132	16	587-1132	18
5.	Side Rail (Stamped S)	589-1052	2	589-1052	6	589-1052	10	589-1052	6	589-1052	8	589-1052	8
6.	Bottom Rail (Stamped 16, 18 or 21)	589-1047	10	589-1047	10	589-1047	10	589-1048	16	589-1048	16	589-1049	14
7.	Transition Rail (Stamped TR)	589-1053	4	589-1053	4	589-1053	4					589-1053	4
8.	6" Outer Connector (Ends)	580-1548	12	580-1548	12	580-1548	12	580-1548	14	580-1548	14	580-1548	16
9.	Inner Connector	5186-1155	16	5186-1155	20	5186-1155	24	5186-1155	22	5186-1155	24	5186-1155	26
10.	Stabilizer Rail, small	583-1012	10	583-1012	10	583-1012	10	583-1012	10	583-1012	10	***583-1004	12
11.	Stabilizer Rail, large	583-1011	10	583-1011	14	583-1011	18	583-1011	16	583-1011	18	***583-1005	10
12.	Vertical Center Section	580-1429	12	580-1429	12	580-1429	12	580-1429	14	580-1429	14	580-1429	16
13.	Side Vertical Cap	580-1184	4	580-1184	8	580-1184	12	580-1184	8	580-1184	10	580-1184	10
14.	Vertical End Cap	580-1183	24	580-1183	24	580-1183	24	580-1183	28	580-1183	28	580-1183	32
15.	Coping, 24"	545-1001	34	545-1001	42	545-1001	50	545-1001	44	545-1001	48	545-1001	53
16.	Outer Connector, 6" x 3" (Side)	580-1550	4	580-1550	8	580-1550	12	580-1550	8	580-1550	10	580-1550	10
17.	Outer Connector Bracket	580-1197	4	580-1197	8	580-1197	12	580-1197	8	580-1197	10	580-1197	10
*18.	#10 x 3/8" Lg. Hex Washer Hd. Screw	510-1000	140	510-1000	136	510-1000	132	510-1000	168	510-1000	168	510-1000	182
*19.	Machine Screw, No. 10-24 x 1/2" pan head	510-1008	4	510-1008	8	510-1008	12	510-1008	8	510-1008	10	510-1008	10
*20.	Hex Nut, No. 10-24	420-1000	4	420-1000	8	420-1000	12	420-1000	8	420-1000	10	420-1000	10
21.	Booklet — Enjoy Your Pool	573-2124	1	573-2124	1	573-2124	1	573-2124	1	573-2124	1	573-2124	1
22.	Safety First Handbook	573-2370	1	573-2370	1	573-2370	1	573-2370	1	573-2370	1	573-2370	1
23.	Brochure—Night Swimming & Lighting	573-2334	1	573-2334	1	573-2334	1	573-2334	1	573-2334	1	573-2334	1
24.	Brochure—Children Aren't	573-2338	1	573-2338	1	573-2338	1	573-2338	1	573-2338	1	573-2338	1
24A.	Brochure—Pool & Spa	573-2393	1	573-2393	1	573-2393	1	573-2393	1	573-2393	1	573-2393	1
25.	Danger Sign	560-1035	1	560-1035	1	560-1035	1	560-1035	1	560-1035	1	560-1035	1
26.	Adhesive Square	310-1034	4	310-1034	4	310-1034	4	310-1034	4	310-1034	4	310-1034	4
27.	Warranty Card	565-1072	1	565-1072	1	565-1072	1	565-1072	1	565-1072	1	565-1072	1
28.	Product Registration Card	565-1073	1	565-1073	1	565-1073	1	565-1073	1	565-1073	1	565-1073	1
	POOL LINER CARTON												
29.	Chlorine/Winterizing Instructions	369-1134	1	369-1134	1	369-1134	1	369-1134	1	369-1134	1	369-1134	1
***30.	Pool Liner—20 Mil (Standard)	0-2416-720	1	0-3216-720	1	0-4016-720	1	0-3418-720	1	0-3818-720	1	0-4121-720	1
31.	Danger Decal	560-1036	2	560-1036	2	560-1036	2	560-1036	2	560-1036	2	560-1036	2
32.	Warranty Card	565-1062	1	565-1062	1	565-1062	1	565-1062	1	565-1062	1	565-1062	1
**33.	Repair Patch	564-1000	1	564-1000	1	564-1000	1	564-1000	1	564-1000	1	564-1000	1
34.	"Danger Deep Area" Decal	560-1037	2	560-1037	2	560-1037	2	560-1037	2	560-1037	2	560-1037	2
35.	Danger—Shallow 3 1/2 Ft.	560-1034	4	560-1034	4	560-1034	4	560-1034	4	560-1034	4	560-1034	4
36.	Danger Decal Installation Inst.	369-1133	1	369-1133	1	369-1133	1	369-1133	1	369-1133	1	369-1133	1
	SIDEWALL CARTON												
37.	Danger Decal	560-1036	2	560-1036	4	560-1036	4	560-1036	4	560-1036	4	560-1036	4
38.	Joint Piece	580-1002	1	580-1002	2	580-1002	2	580-1002	2	580-1002	2	580-1002	2
39.	Sidewall	0-6708-146	1	0-6708-126	2	0-6708-106	2	0-6708-148	2	0-6708-188	2	0-6708-111	2
40.	Large Cover Plate	580-1433	1	580-1433	2	580-1433	2	580-1433	2	580-1433	2	580-1433	2
41.	Small Cover Plate	580-1434	1	580-1434	2	580-1434	2	580-1434	2	580-1434	2	580-1434	2
42.	Warranty Card	565-1072	1	565-1072	2	565-1072	2	565-1072	2	565-1072	2	565-1072	2
	Danger Decal Installation Inst.	369-1133	1	369-1133	1	369-1133	1	369-1133	1	369-1133	1	369-1133	1
	FRAME PACK "B" CARTON	0-9699-177	1	0-9699-177	1	0-9699-177	1	0-9618-187	1	0-9618-187	1	0-9621-187	1
43.	Vertical Side Section	580-1432	24	580-1432	24	580-1432	24	580-1432	28	580-1432	28	580-1432	32
	SUPPORT PACK CARTON	0-8888-076	1	0-8888-076	2	0-8888-078	2	0-8888-076	2	0-8888-76/78	1	0-8888-76/78	1
44.	Side Vertical	580-1300	4	580-1300	8	580-1300	12	580-1300	8	580-1300	10	580-1300	10
45.	Vertical Brace	580-1301	4	580-1301	8	580-1301	12	580-1301	8	580-1301	10	580-1301	10
46.	Bottom Rail Connector	580-1135	4	580-1135	8	580-1135	12	580-1135	8	580-1135	10	580-1135	10
47.	Horizontal Support	580-1275	4	580-1275	8	580-1275	12	580-1275	8	580-1275	10	580-1275	10
48.	Support Bracket	580-1136	4	580-1136	8	580-1136	12	580-1136	8	580-1136	10	580-1136	10
49.	Pressure Pad	580-1273	4	580-1273	8	580-1273	12	580-1273	8	580-1273	10	580-1273	10
50.	Brace, Connector - short	580-1302	4	580-1302	8	580-1302	12	580-1302	8	580-1302	10	580-1302	10
51.	Brace, Connector - long	580-1051	4	580-1051	8	580-1051	12	580-1051	8	580-1051	10	580-1051	10
52.	Skid Plate	580-1063	4	580-1063	8	580-1063	12	580-1063	8	580-1063	10	580-1063	10
*53.	#10 x 3/8" Lg. Hex Washer Hd. Screw	510-1000	92	510-1000	184	510-1000	276	510-1000	184	510-1000	230	510-1000	230
*54.	High Strength Bolt 1/4"-20 x 1/2", hex head	510-1018	72	510-1018	144	510-1018	216	510-1018	144	510-1018	180	510-1018	180
*55.	Hex Nut, 1/4"-20	511-1000	72	511-1000	144	511-1000	216	511-1000	144	511-1000	180	511-1000	180
*56.	Hex Washer/Sheet Metal Screw, # 12 x 3/4"	510-1035	16	510-1035	32	510-1035	48	510-1035	32	510-1035	40	510-1035	40
57.	Horizontal End Cap	580-1412	4	580-1412	8	580-1412	12	580-1412	8	580-1412	10	580-1412	10

*Screws are available in most hardware stores.

**For additional patch kits order Part No. 5604-00.

***These stabilizers are 46 3/8" long and are used on ends only. P/N 583-1011 stabilizer (43 3/4" long) used on sides (8 required).

****If you have received a liner other than the one listed above, write the number of your liner in the space provided. #