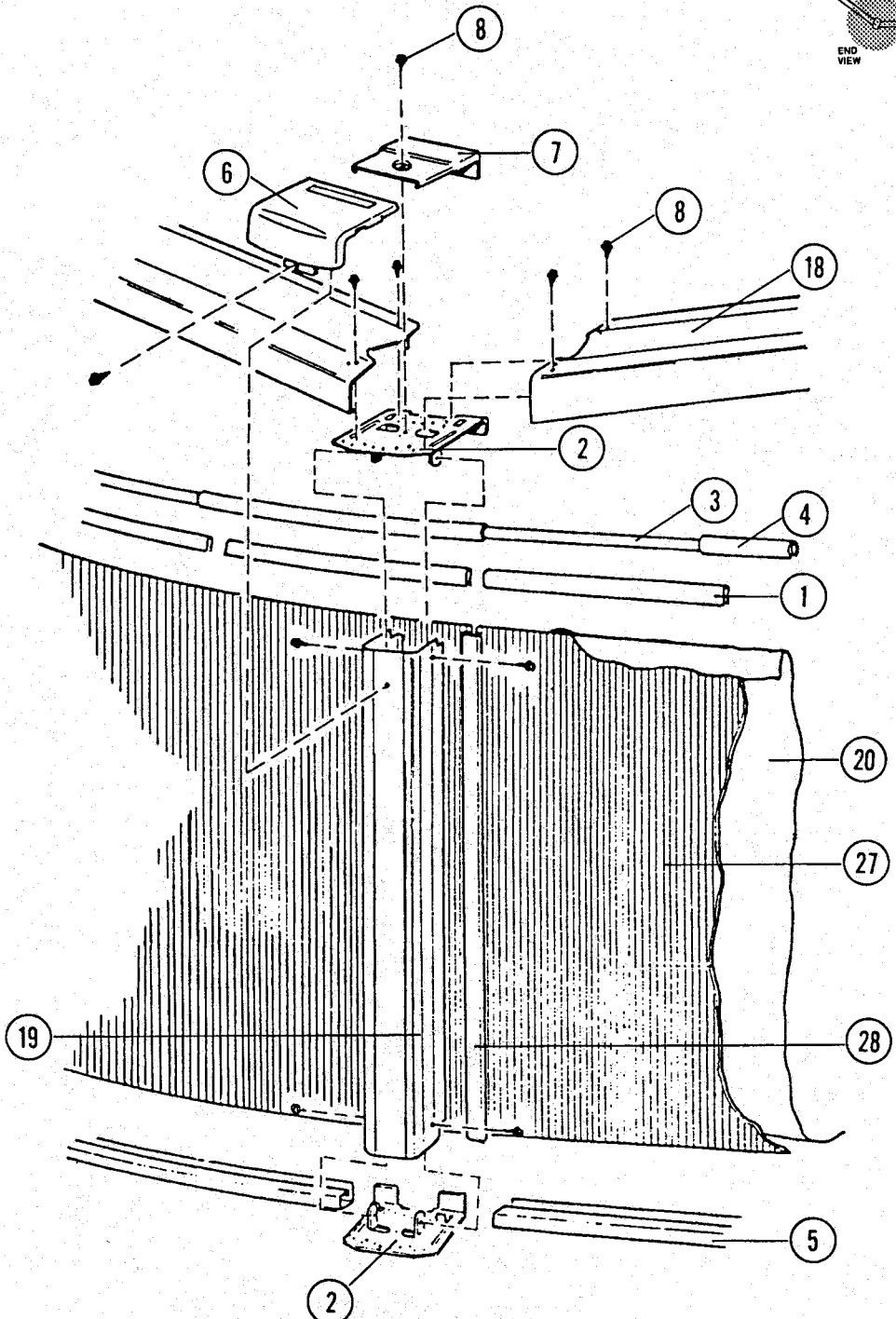
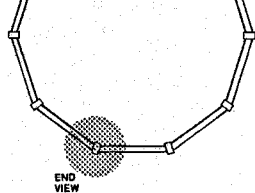


"the original portable pool"

doughboy®

Breckenridge

Round Pool



Breckenridge Round Pool — Parts List

ITEM #	DESCRIPTION	12' x 48"		16' x 48"		18' x 48"		21' x 48"		24' x 48"	
		PART #	QTY.	PART #	QTY.	PART #	QTY.	PART #	QTY.	PART #	QTY.
	ASSEMBLY PACK	0-9912-402	1	0-9916-402	1	0-9918-402	1	0-9921-402	1	0-9924-402	1
1.	Plastic Coping, 24"	545-1001	20	545-1001	26	545-1001	28	545-1001	33	545-1001	38
2.	Vertical End Cap	580-1594	20	580-1594	24	580-1594	28	580-1594	32	580-1594	36
3.	Stabilizer Rail, small dia.	583-1012	6	583-1012	8	583-1012	9	583-1004	10	583-1004	11
4.	Stabilizer Rail, large dia.	583-1011	6	583-1011	8	583-1011	9	583-1005	10	583-1005	11
5.	Bottom Rail	589-1046	10	589-1047	12	589-1048	14	589-1049	16	589-1050	18
6.	4" Outer Connector	580-1660	10	580-1660	12	580-1660	14	580-1660	16	580-1660	18
7.	Inner Connector	5186-1194	10	5186-1194	12	5186-1194	14	5186-1194	16	5186-1194	18
*8.	Sheet Metal Screw #10 x 3/8" Hexwasher Head, Type AB	510-1000	100	510-1000	120	510-1000	140	510-1000	160	510-1000	180
9.	Pool Parts List	573-2558	1	573-2558	1	573-2558	1	573-2558	1	573-2558	1
10.	Pool Installation Instructions	573-2565	1	573-2565	1	573-2565	1	573-2565	1	573-2565	1
11.	"Read Me First" Booklet	573-2417	1	573-2417	1	573-2417	1	573-2417	1	573-2417	1
12.	"Enjoy Your Pool" Booklet	573-2124	1	573-2124	1	573-2124	1	573-2124	1	573-2124	1
13.	"Safety First" Booklet	573-2583	1	573-2583	1	573-2583	1	573-2583	1	573-2583	1
14.	"Children Aren't . . ." Brochure	573-2338	1	573-2338	1	573-2338	1	573-2338	1	573-2338	1
15.	"Pool & Spa . . ." Brochure	573-2393	1	573-2393	1	573-2393	1	573-2393	1	573-2393	1
16.	Warranty Card - Metal	—	1	—	1	—	1	—	1	—	1
17.	Product Registration Card	565-1117	1	565-1117	1	565-1117	1	565-1117	1	565-1117	1
	TOP RAIL PACK	0-9801-402	1	0-9812-402	1	0-9814-402	1	0-9816-402	1	0-9818-402	1
18.	Top Rail	587-1215	10	587-1216	12	587-1216	14	587-1216	16	587-1216	18
	VERTICAL PACK	0-9710-402	1	0-9712-402	1	0-9714-402	1	0-9716-402	1	0-9718-402	1
19.	Vertical	580-1661	10	580-1661	12	580-1661	14	580-1661	16	580-1661	18
	POOL LINER CARTON										
***20.	Pool Liner	0-1248-___	1	0-1648-___	1	0-1848-___	1	0-2148-___	1	0-2448-___	1
21.	Chlorine/Winterizing Instructions	573-2421	1	573-2421	1	573-2421	1	573-2421	1	573-2421	1
22.	"Warning" Decal	560-1041	3	560-1041	3	560-1041	3	560-1041	3	560-1041	3
23.	Warranty Card -Liner	—	1	—	1	—	1	—	1	—	1
24.	"Shallow" Decal	560-1043	3	560-1043	3	560-1043	3	560-1043	3	560-1043	3
**25.	Repair Patch	564-1000	1	564-1000	1	564-1000	1	564-1000	1	564-1000	1
26.	"Read Me First" Booklet	573-2417	1	573-2417	1	573-2417	1	573-2417	1	573-2417	1
	SIDEWALL CARTON										
27.	Sidewall	0-0108-012	1	0-0108-016	1	0-0108-018	1	0-0108-021	1	0-0108-024	1
28.	Joint Piece	580-1002	1	580-1002	1	580-1002	1	580-1002	1	580-1002	1
29.	Large Cover Plate	580-1668	1	580-1668	1	580-1668	1	580-1668	1	580-1668	1
30.	Small Cover Plate	580-1667	1	580-1667	1	580-1667	1	580-1667	1	580-1667	1
31.	Warranty Card - Metal	—	1	—	1	—	1	—	1	—	1
32.	"Warning" Sign	560-1046	1	560-1046	1	560-1046	1	560-1046	1	560-1046	1
33.	"Read Me First" Booklet	573-2417	1	573-2417	1	573-2417	1	573-2417	1	573-2417	1
34.	Black Marking Pen	332-1079	1	332-1079	1	332-1079	1	332-1079	1	332-1079	1
35.	Adhesive Squares	310-1034	6	310-1034	6	310-1034	6	310-1034	6	310-1034	6
36.	Safety Video	573-2500	1	573-2500	1	573-2500	1	573-2500	1	573-2500	1

*Screws are available in most hardware stores.

**For additional patch kits order Part No. 0-5604-000.

***Write the number of your liner in the spaces provided here and above # _____