



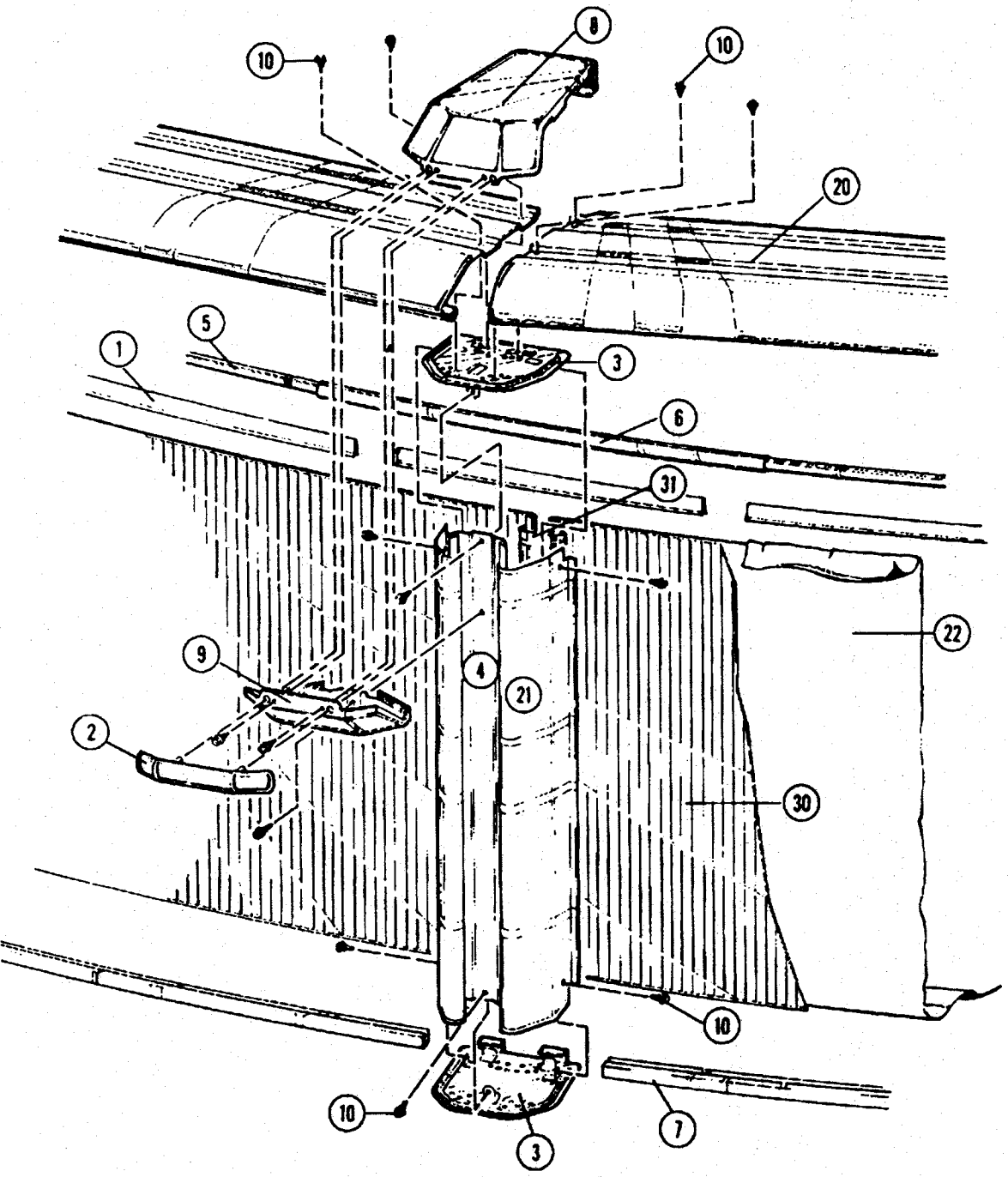
"the original portable pool"

doughboy[®]

Blue Glacier

Round Pool

END VIEW



Blue Glacier Round Pool — Parts List

ITEM #	DESCRIPTION	12' x 48"		16' x 48"		18' x 48"		21' x 48"		24' x 48"		28' x 48"	
		PART #	QTY.	PART #	QTY.	PART #	QTY.	PART #	QTY.	PART #	QTY.	PART #	QTY.
	ASSEMBLY PACK	0-9912-900	1	0-9916-900	1	0-9918-900	1	0-9921-900	1	0-9924-900	1	0-9928-900	1
1.	Plastic Coping, 24"	545-1001	22	545-1001	28	545-1001	30	545-1001	35	545-1001	40	545-1001	46
*2.	Connector Decor Strip	340-1780	11	340-1780	13	340-1780	15	340-1780	17	340-1780	19	340-1780	22
3.	Vertical End Cap	580-1587	20	580-1587	24	580-1587	28	580-1587	32	580-1587	36	580-1587	42
4.	Vertical Center Section	580-1583	10	580-1583	12	580-1583	14	580-1583	16	580-1583	18	580-1583	21
5.	Stabilizer Rail, small dia.	583-1012	6	583-1012	8	583-1012	9	583-1004	10	583-1004	11	583-1004	13
6.	Stabilizer Rail, large dia.	583-1011	6	583-1011	8	583-1011	9	583-1005	10	583-1005	11	583-1005	13
7.	Bottom Rail	589-1046	10	589-1047	12	589-1048	14	589-1049	16	589-1050	18	589-1051	21
8.	Top Connector	5186-1192	10	5186-1192	12	5186-1192	14	5186-1192	16	5186-1192	18	5186-1192	21
9.	Connector Skirt	580-1591	10	580-1591	12	580-1591	14	580-1591	16	580-1591	18	580-1591	21
*10.	Sheet Metal#10 x 3/8" Lg. Hex Washer Hd. Screw	510-1000	130	510-1000	156	510-1000	186	510-1000	208	510-1000	234	510-1000	273
11.	Pool Parts List	573-2830	1	573-2830	1	573-2830	1	573-2830	1	573-2830	1	573-2830	1
12.	Pool Installation Instructions	573-2828	1	573-2828	1	573-2828	1	573-2828	1	573-2828	1	573-2828	1
13.	"Read Me First" Booklet	573-2777	1	573-2777	1	573-2777	1	573-2777	1	573-2777	1	573-2777	1
14.	"Enjoy Your Pool" Booklet	573-2743	1	573-2743	1	573-2743	1	573-2743	1	573-2743	1	573-2743	1
15.	"Safety First" Booklet	573-2778	1	573-2778	1	573-2778	1	573-2778	1	573-2778	1	573-2778	1
16.	"Children Aren't . . ." Brochure	573-2338	1	573-2338	1	573-2338	1	573-2338	1	573-2338	1	573-2338	1
17.	"Pool & Spa . . ." Brochure	573-2393	1	573-2393	1	573-2393	1	573-2393	1	573-2393	1	573-2393	1
18.	Warranty Card - Metal	—	1	—	1	—	1	—	1	—	1	—	1
19.	Product Registration Card	565-1117	1	565-1117	1	565-1117	1	565-1117	1	565-1117	1	565-1117	1
	TOP RAIL PACK	0-9801-900	1	0-9812-900	1	0-9814-900	1	0-9816-900	1	0-9809-900	2	0-9809-900	1
20.	Top Rail	587-1188	10	587-1189	12	587-1189	14	587-1189	16	587-1189	18	587-1189	21
	VERTICAL PACK	0-9710-900	1	0-9712-900	1	0-9714-900	1	0-9716-900	1	0-9718-900	1	0-9721-900	1
21.	Vertical Side Section	580-1585	20	580-1585	24	580-1585	28	580-1585	32	580-1585	36	580-1585	42
	POOL LINER CARTON												
***22.	Pool Liner —	0-1248-___	1	0-1648-___	1	0-1848-___	1	0-2148-___	1	0-2448-___	1	0-2848-___	1
23.	Chlorine/Winterizing Instructions	573-2421	1	573-2421	1	573-2421	1	573-2421	1	573-2421	1	573-2421	1
23A.	Installation Instruction Insert	369-1145	1	369-1145	1	369-1145	1	369-1145	1	369-1145	1	369-1145	1
24.	"Warning" Decal	560-1041	3	560-1041	3	560-1041	3	560-1041	3	560-1041	3	560-1041	3
25.	Warranty Card - Liner	—	1	—	1	—	1	—	1	—	1	—	1
**26.	Repair Patch	564-1000	1	564-1000	1	564-1000	1	564-1000	1	564-1000	1	564-1000	1
27.	"Deeper Area" Decal	560-1042	2	560-1042	2	560-1042	2	560-1042	2	560-1042	2	560-1042	2
28.	"Shallow" Decal	560-1043	3	560-1043	3	560-1043	3	560-1043	3	560-1043	3	560-1043	3
29.	"Read Me First" Booklet	573-2777	1	573-2777	1	573-2777	1	573-2777	1	573-2777	1	573-2777	1
	SIDEWALL CARTON												
30.	Sidewall	0-0808-012	1	0-0808-016	1	0-0808-018	1	0-0808-021	1	0-0808-024	1	0-0808-028	1
31.	Joint Piece	580-1002	1	580-1002	1	580-1002	1	580-1002	1	580-1002	1	580-1002	1
32.	Large Cover Plate	—	—	—	—	—	—	—	—	—	—	580-1900	1
33.	Small Cover Plate	—	—	—	—	—	—	—	—	—	—	580-1899	1
34.	"Warning" Sign	560-1046	1	560-1046	1	560-1046	1	560-1046	1	560-1046	1	560-1046	1
35.	"Read Me First" Booklet	573-2777	1	573-2777	1	573-2777	1	573-2777	1	573-2777	1	573-2777	1
36.	Adhesive Squares	310-1034	6	310-1034	6	310-1034	6	310-1034	6	310-1034	6	310-1034	6
37.	Safety Video	573-2500	1	573-2500	1	573-2500	1	573-2500	1	573-2500	1	573-2500	1

*Screws are available in most hardware stores.

**For additional patch kits order Part No. 0-5604-000.

***If you have received a liner other than the one listed above, write the number of your liner in the space provided. # _____

† One extra decor strip is provided.