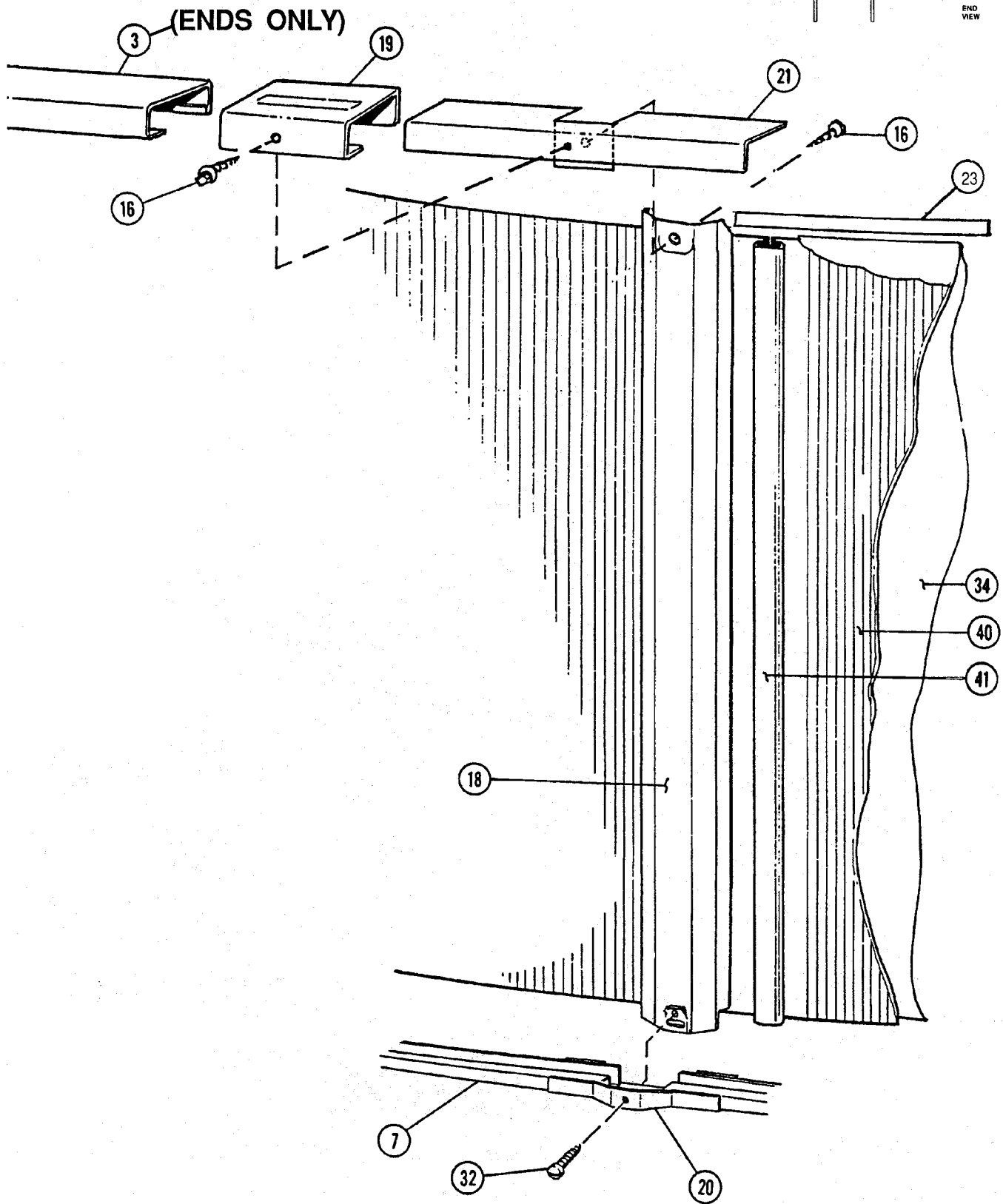


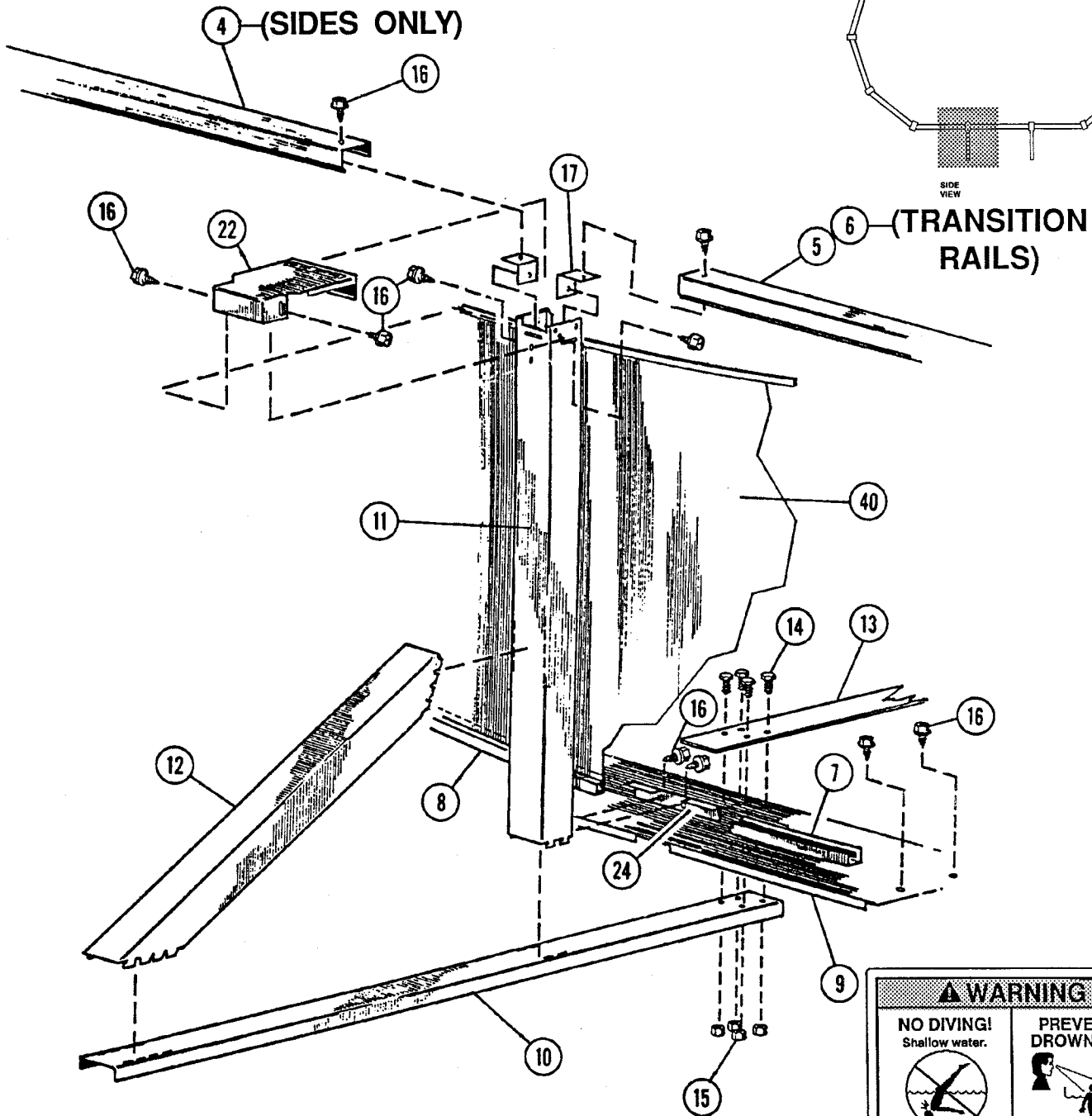
"the original portable pool"

doughboy®

Aqualine

Strap Oval Pool





▲ WARNING	
NO DIVING! Shallow water.	PREVENT DROWNING
	
You can be permanently injured.	Watch children at all times.

Aqualine Strap Oval Pool — Parts List

ITEM #	DESCRIPTION	15' x 10' x 48"		18' x 12' x 48"	
		PART #	QTY.	PART #	QTY.
	FRAME PACK CARTON	0-8250-015	1	0-8282-015	1
1.	Pool Parts List	573-2593	1	573-2593	1
2.	Pool Installation Instructions	573-2569	1	573-2569	1
3.	Top Rail	587-1072	6	587-1073	8
4.	Side Top Rail	587-1224	2	587-1224	2
5.	Transition Top Rail R.H.	587-1226	2	587-1233	2
6.	Transition Top Rail L.H.	587-1225	2	587-1232	2
7.	Bottom Rail (Stamped A-10 or A-12)	589-1006	10	589-1007	12
8.	Side Bottom Rail (Stamped A-S)	589-1085	2	589-1085	2
9.	Pressure Pad	580-1274	4	580-1274	4
10.	Foundation Beam	580-1200	4	580-1200	4
11.	Side Vertical	580-1203	4	580-1203	4
12.	Side Brace	580-1209	4	580-1209	4
13.	Tension Strap	580-1224	2	580-1225	2
*14.	Screw 1/4-20 x 1/2"	510-1018	16	510-1018	16
*15.	Hex Nut 1/4-20	511-1000	16	511-1000	16
*16.	Sheet Metal Screw #10 x 3/8", Type AB	510-1000	52	510-1000	56
17.	Side Rail Bracket	580-1715	8	580-1715	8
18.	Vertical Supports	580-1472	8	580-1472	10
19.	Top Connector	5186-1189	8	5186-1189	10
20.	Bottom Connector (Ends)	580-1470	8	580-1470	10
21.	Rail Stabilizer	583-1056	8	583-1056	10
22.	Side Top Connector	5186-1200	4	5186-1200	4
23.	Plastic Coping 24"	545-1001	21	545-1001	25
24.	Bottom Rail Connector (Sides)	580-1135	4	580-1135	4
25.	"Read Me First" Booklet	573-2417	1	573-2417	1
26.	"Enjoy Your Pool" Booklet	573-2124	1	573-2124	1
27.	"Safety First" Booklet	573-2583	1	573-2583	1
28.	"Children Aren't . . ." Brochure	573-2338	1	573-2338	1
29.	"Pool & Spa . . ." Brochure	573-2393	1	573-2393	1
30.	Warranty Card - Metal	—	1	—	1
31.	Product Registration Card	565-1117	1	565-1117	1
*32.	Screw #14 x 1/2"	330-1075	8	330-1075	10
	POOL LINER CARTON				
33.	Chlorine/Winterizing Instructions	573-2421	1	573-2421	1
***34.	Pool Liner — Galaxy (Standard)	0-1510-712	1	0-1812-712	1
35.	"Warning" Decal	560-1041	3	560-1041	3
**36.	Repair Patch	564-1000	1	564-1000	1
37.	"Shallow" Decal	560-1043	3	560-1043	3
38.	Warranty Card - Liner	—	1	—	1
39.	"Read Me First" Booklet	573-2417	1	573-2417	1
	SIDEWALL CARTON				
40.	Pool Sidewall	0-6008-050	1	0-6008-082	1
41.	Joint Piece	580-1002	1	580-1002	1
42.	Cover Plate, small	580-1004	1	580-1004	1
43.	Cover Plate, large	580-1003	1	580-1003	1
44.	Warranty Card - Metal	—	1	—	1
45.	"Warning" Sign	560-1046	1	560-1046	1
46.	"Read Me First" Booklet	573-2417	1	573-2417	1
47.	Black Marking Pen	332-1079	1	332-1079	1
48.	Adhesive Squares	310-1034	6	310-1034	6
49.	Safety Video	573-2500	1	573-2500	1

*Screws are available in most hardware stores.

**For additional patch kits order Part No. 0-5604-000.

***If you have received a liner other than the one listed above, write the number of your liner in the space provided. # _____.