

"the original portable pool"

**doughboy®**

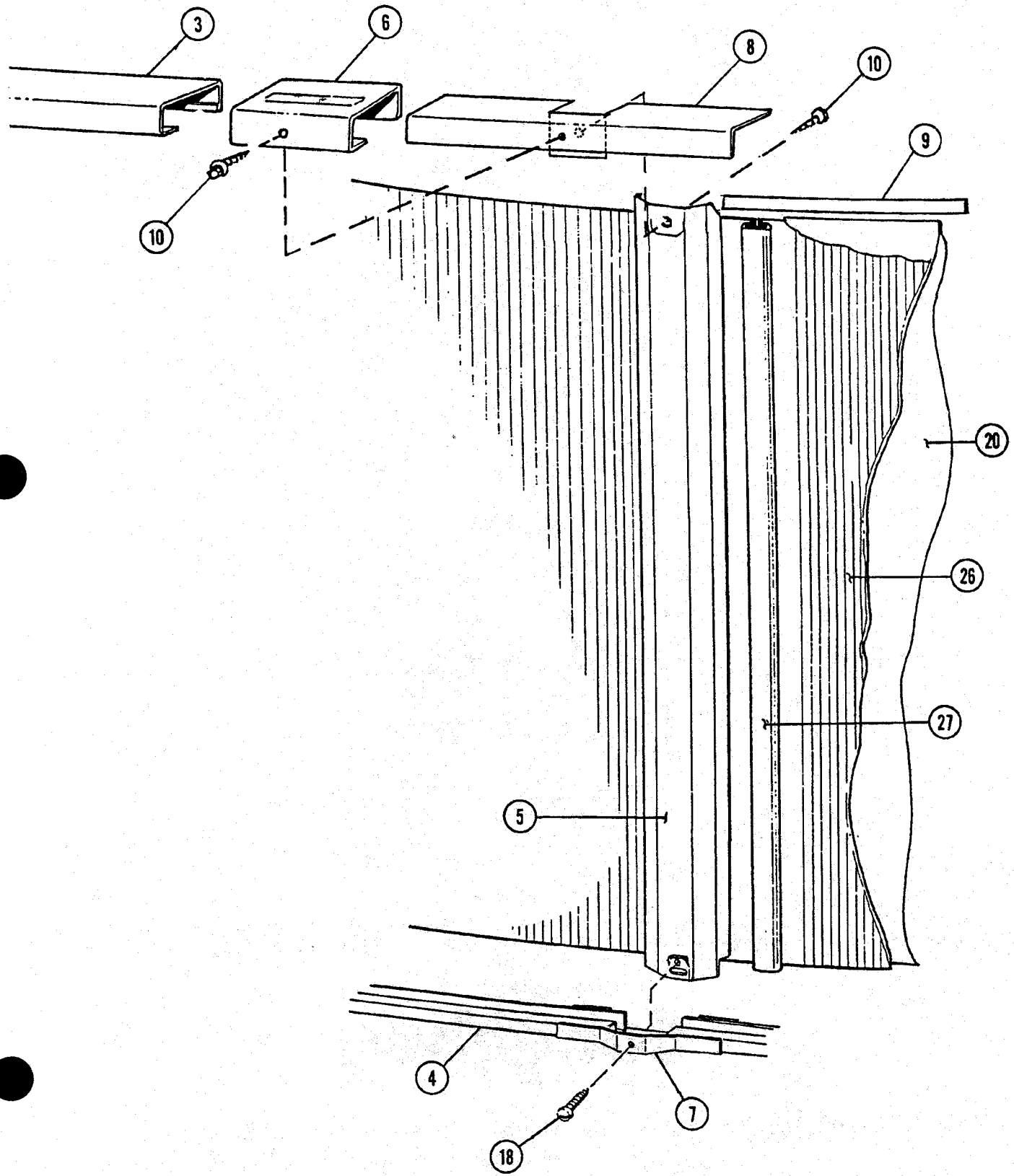
# Aqualine

## Round Pool

---

---

END VIEW



# Aqualine Round Pool — Parts List

ITEM #	DESCRIPTION	15' x 48"		18' x 48"		24' x 48"	
		PART #	QTY.	PART #	QTY.	PART #	QTY.
	<b>FRAME PACK "A" CARTON</b>	0-8215-015	1	0-8218-015	1	0-8224-015	1
1.	Pool Parts List	573-2592	1	573-2592	1	573-2592	1
2.	Pool Installation Instructions	573-2565	1	573-2565	1	573-2565	1
3.	Top Rail	587-1079	12	587-1080	14	587-1081	18
4.	Bottom Rail	589-1054	12	589-1048	14	589-1050	18
5.	Vertical Support	580-1472	12	580-1472	14	580-1472	18
6.	Top Connector	5186-1189	12	5186-1189	14	5186-1189	18
7.	Bottom Connector	580-1470	12	580-1470	14	580-1470	18
8.	Rail Stabilizer	583-1056	12	583-1056	14	583-1056	18
9.	Plastic Coping, 24"	545-1001	24	545-1001	28	545-1001	38
*10.	#10 x 3/8" Hex Hd. Screw	510-1000	24	510-1000	28	510-1000	36
11.	"Read Me First" Booklet	573-2417	1	573-2417	1	573-2417	1
12.	"Enjoy Your Pool" Booklet	573-2124	1	573-2124	1	573-2124	1
13.	"Safety First" Booklet	573-2583	1	573-2583	1	573-2583	1
14.	"Children Aren't . . ." Brochure	573-2338	1	573-2338	1	573-2338	1
15.	"Pool & Spa . . ." Brochure	573-2393	1	573-2393	1	573-2393	1
16.	Warranty Card - Metal	—	1	—	1	—	1
17.	Product Registration Card	565-1117	1	565-1117	1	565-1117	1
*18.	Screw #14 x 1/2"	330-1075	12	330-1075	14	330-1075	18
	<b>POOL LINER CARTON</b>						
19.	Chlorine/Winterizing Instructions	573-2421	1	573-2421	1	573-2421	1
**20.	Pool Liner — Galaxy (Standard)	0-1548-712	1	0-1848-712	1	0-2448-712	1
21.	Warranty Card - Liner	—	1	—	1	—	1
22.	"Warning" Decal	560-1041	3	560-1041	3	560-1041	3
23.	"Shallow" Decal	560-1043	3	560-1043	3	560-1043	3
**24.	Repair Patch	564-1000	1	564-1000	1	564-1000	1
25.	"Read Me First" Booklet	573-2417	1	573-2417	1	573-2417	1
	<b>SIDEWALL CARTON</b>						
26.	Pool Sidewall	0-6008-015	1	0-6008-018	1	0-6008-024	1
27.	Joint Piece	580-1002	1	580-1002	1	580-1002	1
28.	Cover Plate (small) (not shown)	580-1004	1	580-1004	1	580-1004	1
29.	Cover Plate (large) (not shown)	580-1003	1	580-1003	1	580-1003	1
30.	Warranty Card - Metal	—	1	—	1	—	1
31.	"Warning" Sign	560-1046	1	560-1046	1	560-1046	1
32.	"Read Me First" Booklet	573-2417	1	573-2417	1	573-2417	1
33.	Black Marking Pen	332-1079	1	332-1079	1	332-1079	1
34.	Adhesive Squares	310-1034	6	310-1034	6	310-1034	6
35.	Safety Video	573-2500	1	573-2500	1	573-2500	1

\*Screws are available in most hardware stores.

\*\*For additional patch kits order Part No. 0-5604-000.

\*\*\*If you have received a liner other than the one listed above, write the number of your liner in the space provided. # \_\_\_\_\_