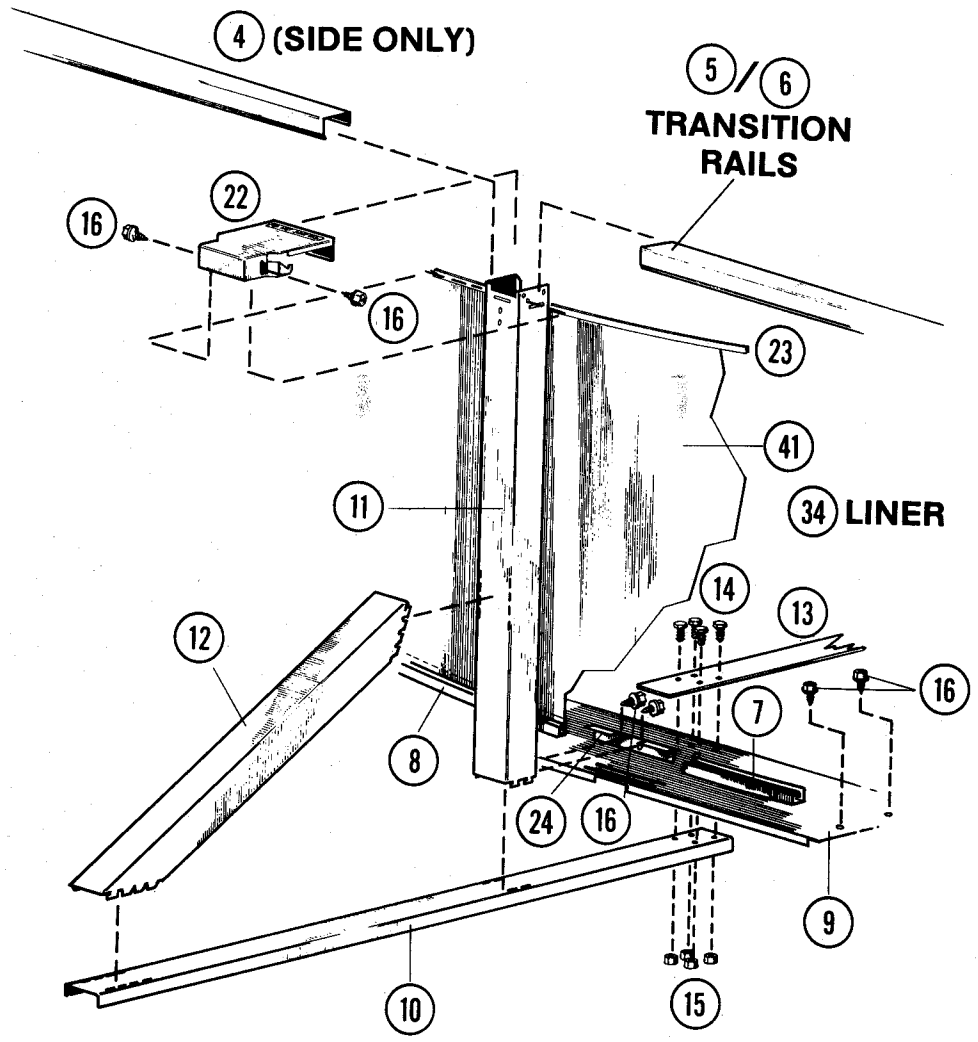
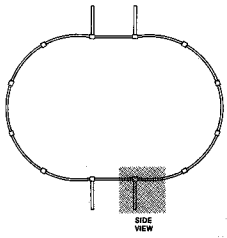
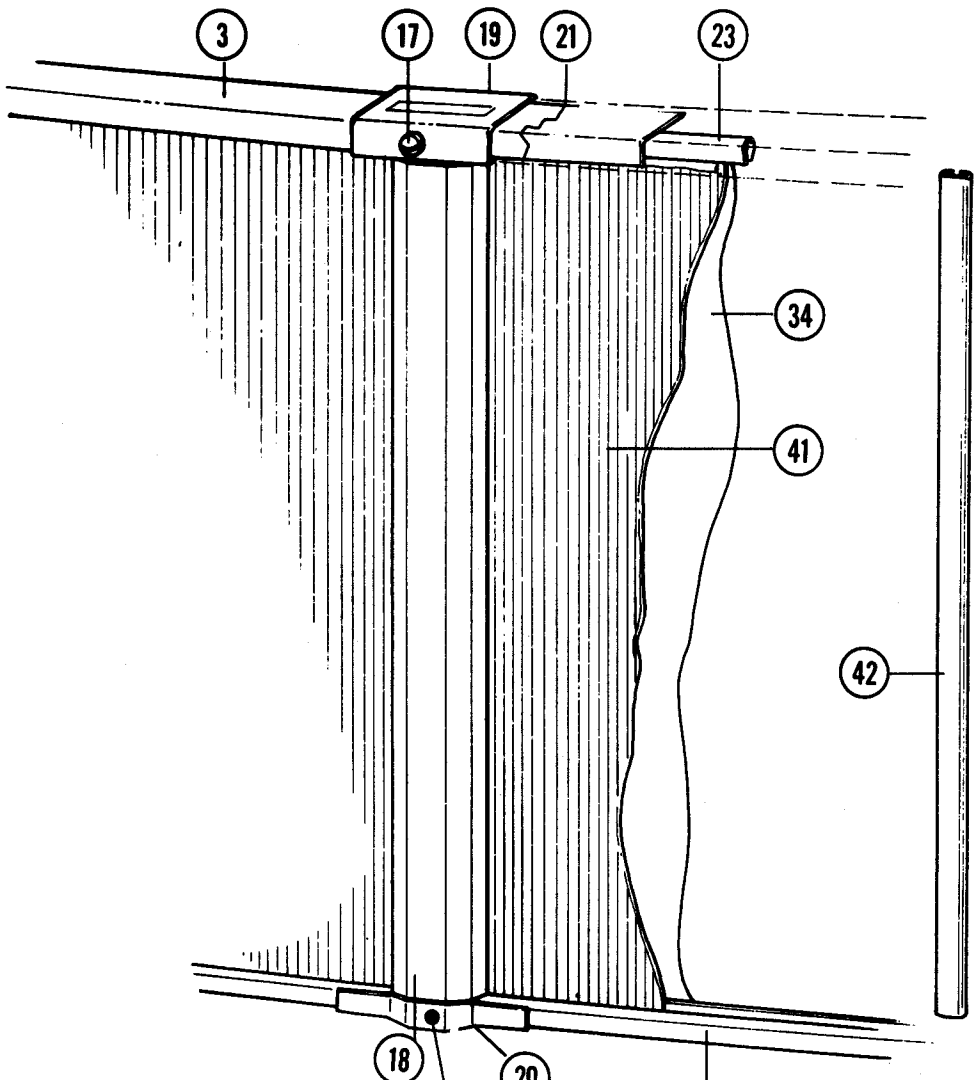


Aqualine

Strap Oval Pool





PARTS LIST

ITEM #	DESCRIPTION	15' x 10' x 48''		18' x 12' x 48''	
		PART #	QTY.	PART #	QTY.
	FRAME PACK CARTON	0-8250-005	1	0-8282-005	1
1.	Parts List	573-2352	1	573-2352	1
2.	Pool Assy./Installation Instructions	573-2369	1	573-2369	1
3.	Top Rail	587-1072	6	587-1073	8
4.	Side Top Rail	587-1074	2	587-1074	2
5.	Transition Top Rail R.H.	587-1075	2	587-1076	2
6.	Transition Top Rail L.H.	587-1077	2	587-1078	2
7.	Bottom Rail (Stamped A-10 or A-12)	589-1006	10	589-1007	12
8.	Side Bottom Rail (Stamped A-S)	589-1085	2	589-1085	2
9.	Pressure Pad	580-1274	4	580-1274	4
10.	Foundation Beam	580-1200	4	580-1200	4
11.	Side Vertical	580-1203	4	580-1203	4
12.	Side Brace	580-1209	4	580-1209	4
13.	Tension Strap	580-1224	2	580-1225	2
*14.	Screw ¼-20 x ½''	510-1018	16	510-1018	16
*15.	Hex Nut ¼-20	511-1000	16	511-1000	16
*16.	Sheet Metal Screw #10 x ¾'', Type AB	510-1000	20	510-1000	20
*17.	Sheet Metal Screw #10 x 1½''	510-1001	8	510-1001	10
18.	Vertical Supports	580-1472	8	580-1472	10
19.	Top Connector	5186-1111	8	5186-1111	10
20.	Bottom Connector (Ends)	580-1470	8	580-1470	10
21.	Rail Stabilizer	583-1026	8	583-1026	10
22.	Side Top Connector	5186-1110	4	5186-1110	4
23.	Plastic Coping 24''	545-1001	21	545-1001	25
24.	Bottom Rail Connector (Sides)	580-1135	4	580-1135	4
25.	Booklet — Enjoy Your Pool	573-2124	1	573-2124	1
26.	Safety First Handbook	573-2370	1	573-2370	1
27.	Brochure Night Swimming & Lighting	573-2334	1	573-2334	1
28.	Brochure — Children Aren't	573-2338	1	573-2338	1
28A.	Brochure — Pool & Spa	573-2393	1	573-2393	1
29.	"Danger" Sign	560-1035	1	560-1035	1
30.	Adhesive Square	310-1034	4	310-1034	4
31.	Warranty Card	565-1070	1	565-1070	1
32.	Product Registration Card	565-1073	1	565-1073	1
32A.	Screw #14x½''	330-1075	8	330-1075	10
	POOL LINER CARTON				
33.	Chlorine/Winterizing Instructions	369-1134	1	369-1134	1
***34.	Pool Liner—Galaxy (Standard)	0-1510-712	1	0-1812-712	1
35.	"Danger" Decal	560-1036	2	560-1036	2
**36.	Repair Patch	564-1000	1	564-1000	1
37.	"Danger" Shallow 3½ Ft.	560-1034	4	560-1034	4
38.	Warranty Card	565-1060	1	565-1060	1
39.	Danger Decal Installation Inst.	369-1133	1	369-1133	1
	SIDEWALL CARTON				
40.	"Danger" Decal	560-1036	2	560-1036	2
41.	Pool Sidewall	0-6008-050	1	0-6008-082	1
42.	Joint Piece	580-1002	1	580-1002	1
43.	Cover Plate, small	580-1004	1	580-1004	1
44.	Cover Plate, large	580-1003	1	580-1003	1
45.	Warranty Card	565-1070	1	565-1070	1
	Danger Decal Installation Inst.	369-1133	1	369-1133	1

*Screws are available in most hardware stores.

**For additional patch kits order Part No. 5604-00.

***If you have received a liner other than the one listed above, write the number of your liner in the space provided. #_____