



# Timberline III

## Strap Oval Pool

---

### Parts List



# Timberline III Strap Oval Pool — Parts List

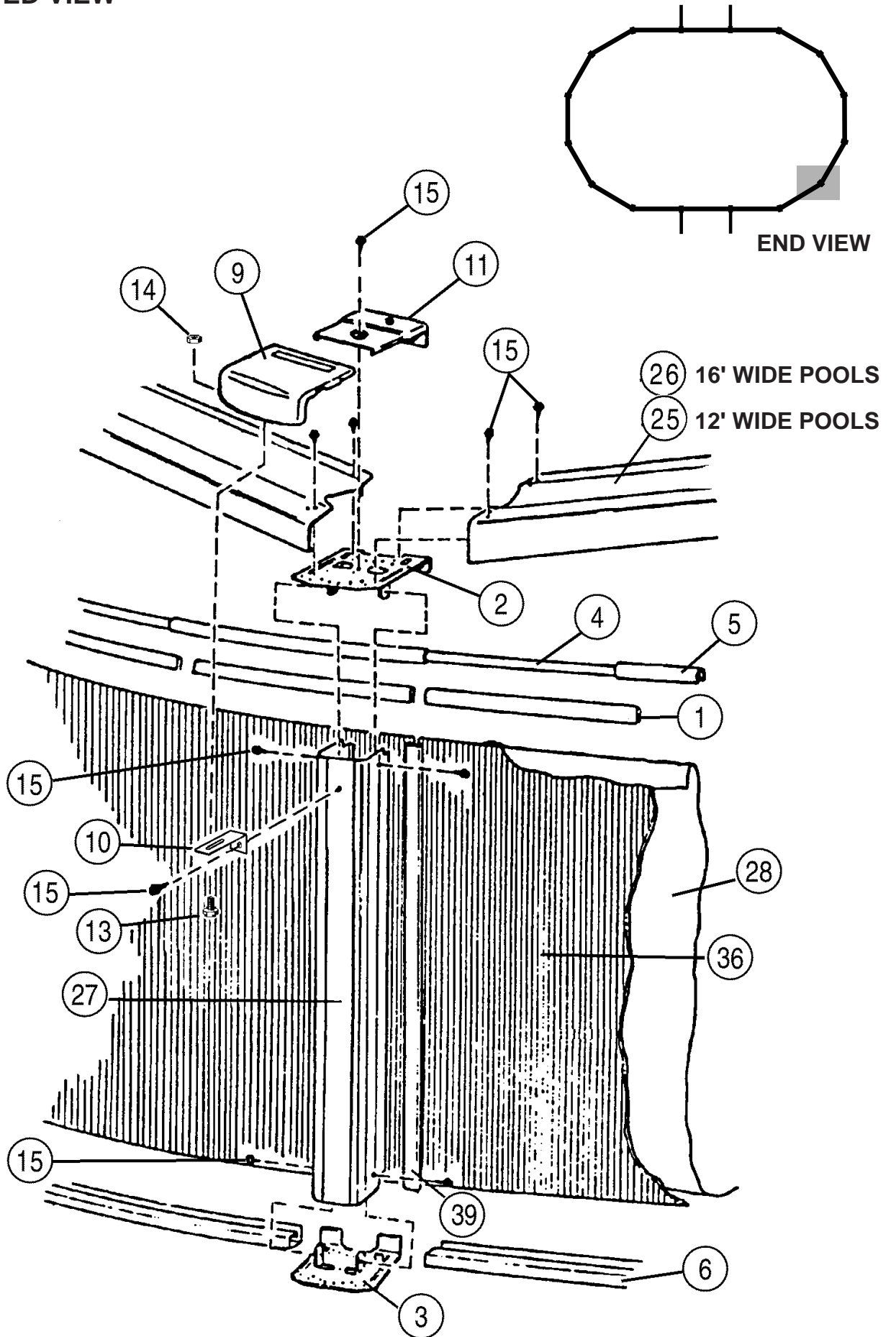
ITEM #	DESCRIPTION	20' x 12' x 48"		24' x 12' x 48"		24' x 16' x 48"		28' x 16' x 48"		32' x 16' x 48"	
		PART #	QTY.	PART #	QTY.	PART #	QTY.	PART #	QTY.	PART #	QTY.
	<b>ASSEMBLY PACK</b>	0-9902-600	1	0-9942-600	1	0-9946-600	1	0-9986-600	1	0-9926-600	1
1.	Plastic Coping, 24"	545-1001	30	545-1001	33	545-1001	36	545-1001	40	545-1001	44
2.	Vertical End Cap-Top	580-1926	10	580-1926	10	580-1926	12	580-1926	12	580-1926	12
3.	Vertical End Cap-Bottom	580-1949	10	580-1949	10	580-1949	12	580-1949	12	580-1949	12
4.	Stabilizer Rail, small dia.	583-1012	8	583-1012	8	583-1012	10	583-1012	10	583-1012	10
5.	Stabilizer Rail, large dia.	583-1011	10	583-1011	12	583-1011	10	583-1011	12	583-1011	14
6.	Bottom Rail (Stamped 12 or 16)	589-1046	12	589-1046	12	589-1047	10	589-1047	10	589-1047	10
7.	Side Rail (Stamped S)	589-1052	2	589-1052	4	589-1052	2	589-1052	4	589-1052	6
8.	Bottom Rail (Stamped TR)	—	—	—	—	589-1053	4	589-1053	4	589-1053	4
9.	6" Outer Connector	580-1927	14	580-1927	16	580-1927	16	580-1927	18	580-1927	20
10.	Outer Connector Bracket	580-1912	14	580-1912	16	580-1912	16	580-1912	18	580-1912	20
11.	Inner Connector	5186-1186	14	5186-1186	16	5186-1186	16	5186-1186	18	5186-1186	20
12.	Side Vertical Cap	580-1887	4	580-1887	6	580-1887	4	580-1887	6	580-1887	8
13.	Machine Screw, 10-24 x 1/2"	510-1008	14	510-1008	16	510-1008	16	510-1008	18	510-1008	20
14.	Square Nut, 10-24	321-1025	14	321-1025	16	321-1025	16	321-1025	18	321-1025	20
*15.	Sheet Metal Screw #10 x 3/8" Hexwasher Head, Type AB	510-1000	100	510-1000	100	510-1000	120	510-1000	120	510-1000	120
16.	Pool Parts List	573-2959	1	573-2959	1	573-2959	1	573-2959	1	573-2959	1
17.	Pool Installation Instructions	573-2956	1	573-2956	1	573-2956	1	573-2956	1	573-2956	1
18.	"Read Me First" Booklet	573-2777	1	573-2777	1	573-2777	1	573-2777	1	573-2777	1
19.	"Enjoy Your Pool" Booklet	573-2743	1	573-2743	1	573-2743	1	573-2743	1	573-2743	1
20.	"Safety First" Booklet	573-2778	1	573-2778	1	573-2778	1	573-2778	1	573-2778	1
21.	"Children Aren't . . ." Brochure	573-2338	1	573-2338	1	573-2338	1	573-2338	1	573-2338	1
22.	"Pool & Spa . . ." Brochure	573-2393	1	573-2393	1	573-2393	1	573-2393	1	573-2393	1
23.	Warranty Card - Metal	—	1	—	1	—	1	—	1	—	1
24.	Product Registration Card	565-1117	1	565-1117	1	565-1117	1	565-1117	1	565-1117	1
25.	Top Rail	587-1356	14	587-1356	16	587-1356	2	587-1356	4	587-1356	6
26.	Top Rail (Common)	—	—	—	—	587-1357	14	587-1357	14	587-1357	14
27.	Vertical	580-1156	10	580-1156	10	580-1156	12	580-1156	12	580-1156	12
	<b>POOL LINER CARTON</b>										
***28.	Pool Liner	0-2012-___	1	0-2412-___	1	0-2416-___	1	0-2816-___	1	0-3216-___	1
29.	Chlorine/Winterizing Instructions	573-2421	1	573-2421	1	573-2421	1	573-2421	1	573-2421	1
30.	Installation Instruction Insert	369-1145	1	369-1145	1	369-1145	1	369-1145	1	369-1145	1
31.	"Warning" Decal	560-1041	3	560-1041	3	560-1041	3	560-1041	1	560-1041	1
32.	Warranty Card - Liner	—	1	—	1	—	1	—	1	—	1
**33.	Repair Patch	564-1000	1	564-1000	1	564-1000	1	564-1000	1	564-1000	1
34.	"Shallow" Decal	560-1043	3	560-1043	3	560-1043	1	560-1043	1	560-1043	1
35.	"Read Me First" Booklet	573-2777	1	573-2777	1	573-2777	1	573-2777	1	573-2777	1
	<b>SIDEWALL CARTON</b>										
36.	Sidewall	0-0008-002	1	0-0008-042	1	0-0008-046	1	0-0008-086	1	0-0008-026	2
37.	Cover Plate - Large (not shown)	—	—	—	—	—	—	—	—	580-1242	2
38.	Cover Plate - Small (not shown)	—	—	—	—	—	—	—	—	580-1241	2
39.	Joint Piece	580-1002	1	580-1002	1	580-1002	1	580-1002	1	580-1002	2
40.	"Warning" Sign	560-1046	1	560-1046	1	560-1046	1	560-1046	1	560-1046	2
41.	"Read Me First" Booklet	573-2777	1	573-2777	1	573-2777	1	573-2777	1	573-2777	2
42.	Adhesive Squares	310-1034	6	310-1034	6	310-1034	6	310-1034	6	310-1034	12
43.	Safety Video	573-2500	1	573-2500	1	573-2500	1	573-2500	1	573-2500	2
	<b>SUPPORT PACK 4 — CARTON</b>	0-8495-004	1			0-8496-004	1			0-8496-004	2
	<b>SUPPORT PACK 6 — CARTON</b>			0-8495-006	1			0-8496-006	1		
44.	Side Vertical	580-1615	4	580-1615	6	580-1615	4	580-1615	6	580-1615	8
45.	Vertical Brace	580-1208	4	580-1208	6	580-1208	4	580-1208	6	580-1208	8
46.	Bottom Rail Connector	580-1793	4	580-1793	6	580-1793	4	580-1793	6	580-1793	8
47.	Foundation Beam	580-1880	4	580-1880	6	580-1880	4	580-1880	6	580-1880	8
48.	Tension Strap	580-1225	2	580-1225	3	580-1226	2	580-1226	3	580-1226	4
49.	Pressure Pad	580-1965	4	580-1965	6	580-1965	4	580-1965	6	580-1965	8
*50.	Sheet Metal Screw, #10 x 3/8", Type AB	510-1000	48	510-1000	72	510-1000	48	510-1000	72	510-1000	96
*51.	High Strength Bolt 1/4"-20 x 1/2" Hex Head	510-1018	16	510-1018	24	510-1018	16	510-1018	24	510-1018	32
*52.	Hex Nut, 1/4-20	511-1000	16	511-1000	24	511-1000	16	511-1000	24	511-1000	32

\*Screws are available in most hardware stores.

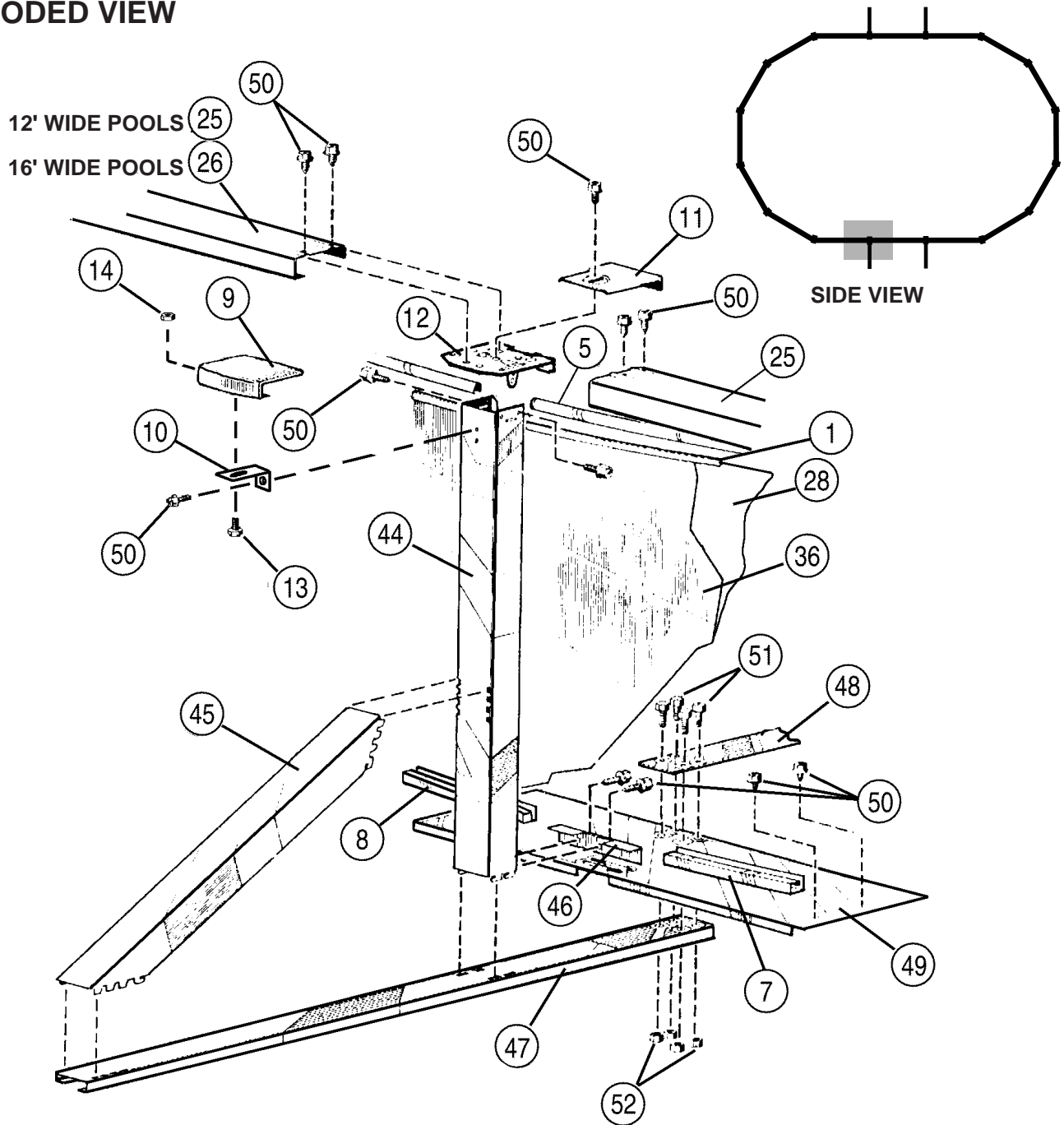
\*\*For additional patch kits order Part No. 0-5604-000.

\*\*\*Write the number of your liner in the spaces provided here and above. #\_\_\_\_\_.

# EXPLODED VIEW



# EXPLODED VIEW



**Important!** Above-ground pools are designed for swimming and wading only. **Do not Dive or Jump!** Misuse of your pool may result in crippling injury and/or other dangers to life and health. Do not use slides, diving boards, or any other platform or object which can be used for improper pool entry. Use only an above-ground swimming pool ladder to enter or exit your pool. It is the pool owner's responsibility to secure the pool against unauthorized, unsupervised or unintentional entry. It is also the pool owner's responsibility to warn all pool users of the hazards of diving into shallow water: paralyzing injury may result. Always obey all safety rules. Remember, pool safety is everybody's responsibility.

**Change of Design:** Doughboy Recreational expressly reserves the right to change or modify the design and construction of any product in due course of their manufacturing procedures, without incurring any obligation to furnish or install such changes or modifications on products previously or subsequently sold.

"the original portable pool"

# doughboy®

<b>WARNING</b>	
<p><b>NO DIVING!</b> Shallow water.</p>  <p>You can be permanently injured.</p>	<p><b>PREVENT DROWNING</b></p>  <p>Watch children at all times.</p>
<p>RESCUE: _____</p> <p><small>Do not remove or cover.</small></p>	

**DOUGHBOY RECREATIONAL • 10959 Jersey Blvd. • Rancho Cucamonga, CA 91730**  
 Visit our website at [www.doughboy-pools.com](http://www.doughboy-pools.com)