



Timberline III

Round Pool

Parts List



Timberline III Round Pool — Parts List

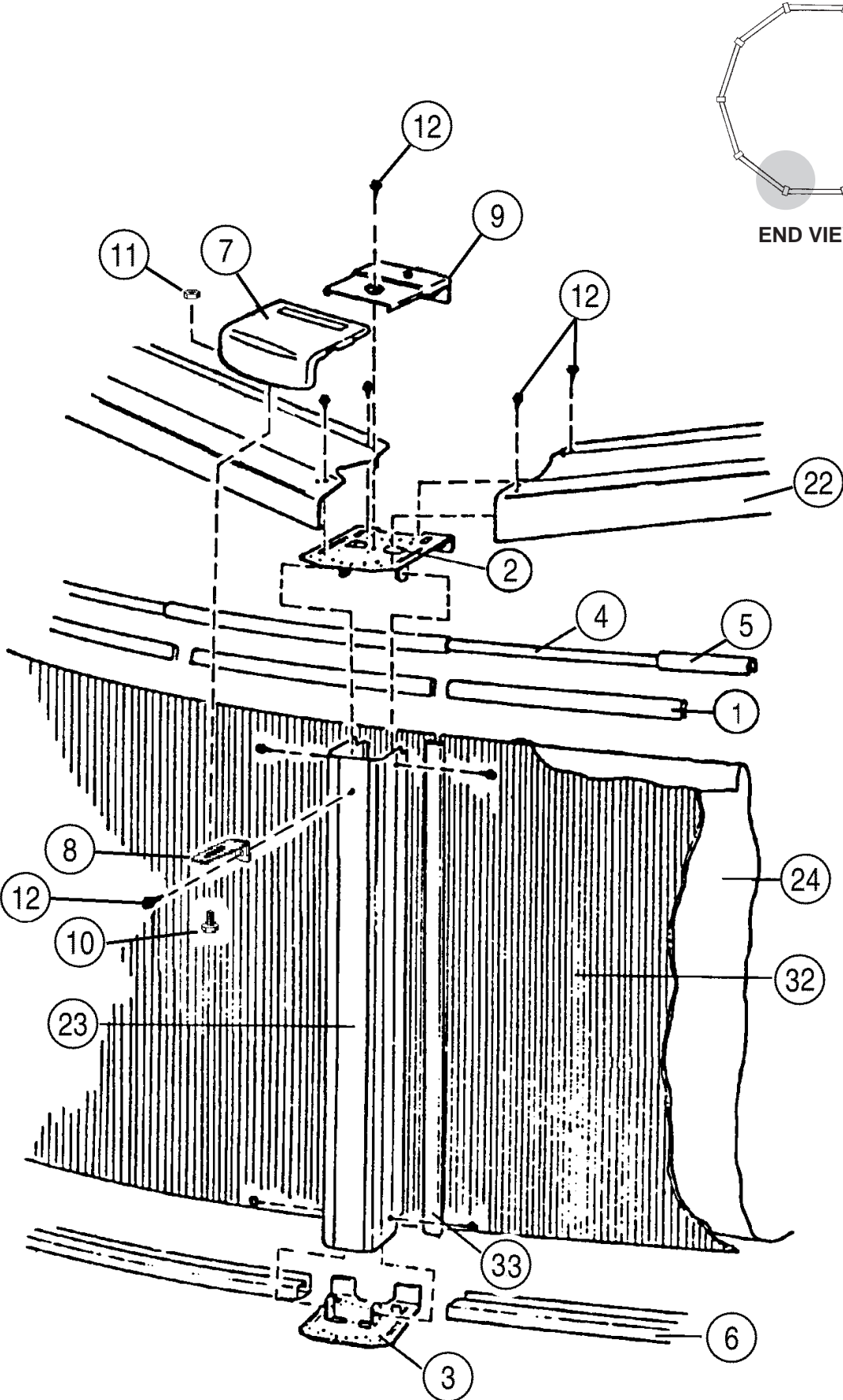
ITEM #	DESCRIPTION	12' x 48"		16' x 48"		18' x 48"		21' x 48"		24' x 48"	
		PART #	QTY.	PART #	QTY.	PART #	QTY.	PART #	QTY.	PART #	QTY.
	ASSEMBLY PACK	0-9912-600	1	0-9916-600	1	0-9918-600	1	0-9921-600	1	0-9924-600	1
1.	Plastic Coping, 24"	545-1001	22	545-1001	28	545-1001	30	545-1001	35	545-1001	40
2.	Vertical End Cap-Top	580-1926	10	580-1926	12	580-1926	14	580-1926	16	580-1926	18
3.	Vertical End Cap-Bottom	580-1949	10	580-1949	12	580-1949	14	580-1949	16	580-1949	18
4.	Stabilizer Rail, small dia.	583-1012	6	583-1012	8	583-1012	9	583-1004	10	583-1004	11
5.	Stabilizer Rail, large dia.	583-1011	6	583-1011	8	583-1011	9	583-1005	10	583-1005	11
6.	Bottom Rail	589-1046	10	589-1047	12	589-1048	14	589-1049	16	589-1050	18
7.	6" Outer Connector	580-1927	10	580-1927	12	580-1927	14	580-1927	16	580-1927	18
8.	Outer Connector Bracket	580-1912	10	580-1912	12	580-1912	14	580-1912	16	580-1912	18
9.	Inner Connector	5186-1186	10	5186-1186	12	5186-1186	14	5186-1186	16	5186-1186	18
10.	Machine Screw, 10-24 x 1/2"	510-1008	10	510-1008	12	510-1008	14	510-1008	16	510-1008	18
11.	Square Nut, 10-24	321-1025	10	321-1025	12	321-1025	14	321-1025	16	321-1025	18
*12.	Sheet Metal Screw-#10 x 3/8", Hexwasher Head, Type AB	510-1000	100	510-1000	120	510-1000	140	510-1000	160	510-1000	180
13.	Pool Parts List	573-2962	1	573-2962	1	573-2962	1	573-2962	1	573-2962	1
14.	Pool Installation Instructions	573-2947	1	573-2947	1	573-2947	1	573-2947	1	573-2947	1
15.	"Read Me First" Booklet	573-2777	1	573-2777	1	573-2777	1	573-2777	1	573-2777	1
16.	"Enjoy Your Pool" Booklet	573-2743	1	573-2743	1	573-2743	1	573-2743	1	573-2743	1
17.	"Safety First" Booklet	573-2778	1	573-2778	1	573-2778	1	573-2778	1	573-2778	1
18.	"Children Aren't . . ." Brochure	573-2338	1	573-2338	1	573-2338	1	573-2338	1	573-2338	1
19.	"Pool & Spa . . ." Brochure	573-2393	1	573-2393	1	573-2393	1	573-2393	1	573-2393	1
20.	Warranty Card - Metal	—	1	—	1	—	1	—	1	—	1
21.	Product Registration Card	565-1117	1	565-1117	1	565-1117	1	565-1117	1	565-1117	1
22.	Top Rail	587-1356	10	587-1357	12	587-1357	14	587-1357	16	587-1357	18
23.	Vertical	580-1156	10	580-1156	12	580-1156	14	580-1156	16	580-1156	18
	POOL LINER CARTON										
***24.	Pool Liner	0-1248-___	1	0-1648-___	1	0-1848-___	1	0-2148-___	1	0-2448-___	1
25.	Chlorine/Winterizing Instructions	573-2421	1	573-2421	1	573-2421	1	573-2421	1	573-2421	1
26.	Installation Instruction Insert	369-1145	1	369-1145	1	369-1145	1	369-1145	1	369-1145	1
27.	"Warning" Decal	560-1041	3	560-1041	3	560-1041	3	560-1041	3	560-1041	3
28.	Warranty Card-Liner		1		1		1		1		1
29.	"Shallow" Decal	560-1043	3	560-1043	3	560-1043	3	560-1043	3	560-1043	3
**30.	Repair Patch	564-1000	1	564-1000	1	564-1000	1	564-1000	1	564-1000	1
31.	"Read Me First" Booklet	573-2777	1	573-2777	1	573-2777	1	573-2777	1	573-2777	1
	SIDEWALL CARTON										
32.	Sidewall	0-0008-012	1	0-0008-016	1	0-0008-018	1	0-0008-021	1	0-0008-024	1
33.	Joint Piece	580-1002	1	580-1002	1	580-1002	1	580-1002	1	580-1002	1
34.	"Warning" Sign	560-1046	1	560-1046	1	560-1046	1	560-1046	1	560-1046	1
35.	"Read Me First" Booklet	573-2777	1	573-2777	1	573-2777	1	573-2777	1	573-2777	1
36.	Adhesive Squares	310-1034	6	310-1034	6	310-1034	6	310-1034	6	310-1034	6
37.	Safety Video	573-2500	1	573-2500	1	573-2500	1	573-2500	1	573-2500	1

*Screws are available in most hardware stores.

**For additional patch kits order Part No. 0-5604-000.

***Write the number of your liner in the spaces provided here and above # _____

EXPLODED VIEW





Important! Above-ground pools are designed for swimming and wading only. **Do not Dive or Jump!** Misuse of your pool may result in crippling injury and/or other dangers to life and health. Do not use slides, diving boards, or any other platform or object which can be used for improper pool entry. Use only an above-ground swimming pool ladder to enter or exit your pool. It is the pool owner's responsibility to secure the pool against unauthorized, unsupervised or unintentional entry. It is also the pool owner's responsibility to warn all pool users of the hazards of diving into shallow water: paralyzing injury may result. Always obey all safety rules. Remember, pool safety is everybody's responsibility.

Change of Design: Doughboy Recreational expressly reserves the right to change or modify the design and construction of any product in due course of their manufacturing procedures, without incurring any obligation to furnish or install such changes or modifications on products previously or subsequently sold.

"the original portable pool"

doughboy®

DOUGHBOY RECREATIONAL • 10959 Jersey Blvd. • Rancho Cucamonga, CA 91730
Visit our website at www.doughboy-pools.com