



Shadow Ridge

Round Pool

Parts List



Shadow Ridge Round Pool — Parts List

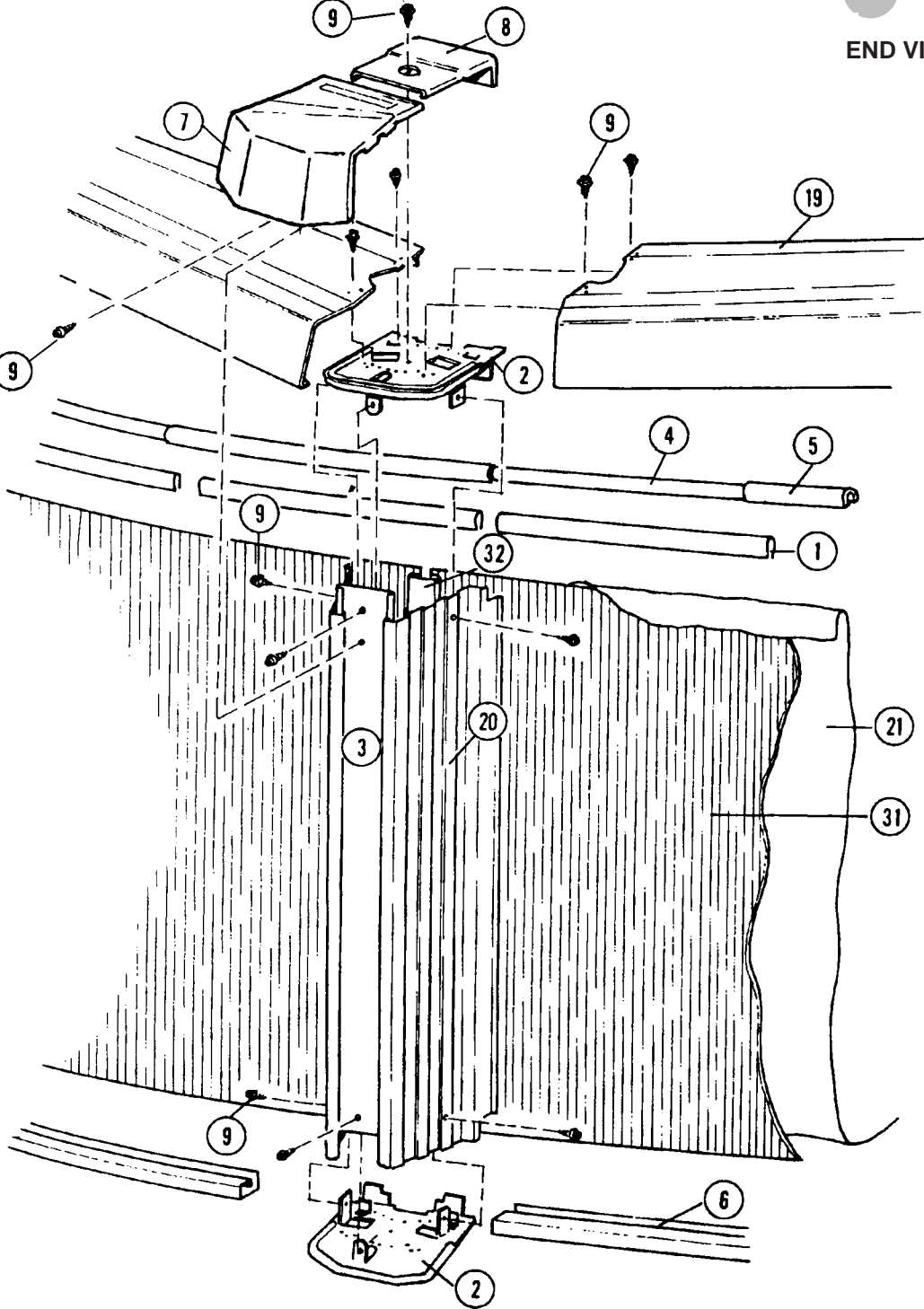
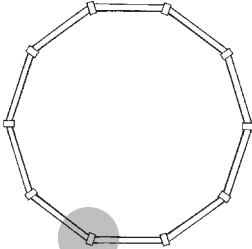
ITEM #	DESCRIPTION	12' x 52"		16' x 52"		18' x 52"		21' x 52"		24' x 52"	
		PART #	QTY.	PART #	QTY.	PART #	QTY.	PART #	QTY.	PART #	QTY.
	ASSEMBLY PACK	0-9912-601	1	0-9916-601	1	0-9918-601	1	0-9921-601	1	0-9924-601	1
1.	Plastic Coping, 24"	545-1001	22	545-1001	28	545-1001	30	545-1001	35	545-1001	40
2.	Vertical End Cap	580-1619	20	580-1619	24	580-1619	28	580-1619	32	580-1619	36
3.	Vertical Center Section	580-1954	10	580-1954	12	580-1954	14	580-1954	16	580-1954	18
4.	Stabilizer Rail, small dia.	583-1012	6	583-1012	8	583-1012	9	583-1004	10	583-1004	11
5.	Stabilizer Rail, large dia.	583-1011	6	583-1011	8	583-1011	9	583-1005	10	583-1005	11
6.	Bottom Rail	589-1046	10	589-1047	12	589-1048	14	589-1049	16	589-1050	18
7.	6" Outer Connector	580-1958	10	580-1958	12	580-1958	14	580-1958	16	580-1958	18
8.	Inner Connector	5186-1205	10	5186-1205	12	5186-1205	14	5186-1205	16	5186-1205	18
*9.	Sheet Metal Screw#10 x 3/8" Hexwasher Head, Type AB	510-1000	130	510-1000	160	510-1000	190	510-1000	210	510-1000	235
10.	Pool Parts List	573-2961	1	573-2961	1	573-2961	1	573-2961	1	573-2961	1
11.	Pool Installation Instructions	573-2947	1	573-2947	1	573-2947	1	573-2947	1	573-2947	1
12.	"Read Me First" Booklet	573-2777	1	573-2777	1	573-2777	1	573-2777	1	573-2777	1
13.	"Enjoy Your Pool" Booklet	573-2743	1	573-2743	1	573-2743	1	573-2743	1	573-2743	1
14.	"Safety First" Booklet	573-2778	1	573-2778	1	573-2778	1	573-2778	1	573-2778	1
15.	"Children Aren't . . ." Brochure	573-2338	1	573-2338	1	573-2338	1	573-2338	1	573-2338	1
16.	"Pool & Spa . . ." Brochure	573-2393	1	573-2393	1	573-2393	1	573-2393	1	573-2393	1
17.	Warranty Card - Metal	—	1	—	1	—	1	—	1	—	1
18.	Product Registration Card	565-1117	1	565-1117	1	565-1117	1	565-1117	1	565-1117	1
	TOP RAIL PACK	0-9801-601	1	0-9812-601	1	0-9814-601	1	0-9816-601	1	0-9818-601	1
19.	Top Rail	587-1394	10	587-1393	12	587-1393	14	587-1393	16	587-1393	18
	VERTICAL PACK	0-9710-601	1	0-9712-601	1	0-9714-601	1	0-9716-601	1	0-9718-601	1
20.	Vertical Side Section	580-1955	20	580-1955	24	580-1955	28	580-1955	32	580-1955	36
	POOL LINER CARTON										
***21.	Pool Liner	0-1248-___	1	0-1648-___	1	0-1848-___	1	0-2148-___	1	0-2448-___	1
22.	Chlorine/Winterizing Instructions	573-2421	1	573-2421	1	573-2421	1	573-2421	1	573-2421	1
23.	"Warning" Decal	560-1041	3	560-1041	3	560-1041	3	560-1041	3	560-1041	3
24.	Warranty Card - Liner	—	1	—	1	—	1	—	1	—	1
25.	Installation Insert Sheet	369-1145	1	369-1145	1	369-1145	1	369-1145	1	369-1145	1
**26.	Repair Patch	564-1000	1	564-1000	1	564-1000	1	564-1000	1	564-1000	1
27.	"Deeper Area" Decal	560-1042	2	560-1042	2	560-1042	2	560-1042	2	560-1042	2
28.	Shallow Decal, 3-3/4 ft.	560-1043	3	560-1043	3	560-1043	3	560-1043	3	560-1043	3
29.	Shallow Decal Insert Sheet	369-1216	1	369-1216	1	369-1216	1	369-1216	1	369-1216	1
30.	"Read Me First" Booklet	573-2777	1	573-2777	1	573-2777	1	573-2777	1	573-2777	1
	SIDEWALL CARTON										
31.	Sidewall	0-0852-012	1	0-0852-016	1	0-0852-018	1	0-0852-021	1	0-0852-024	1
32.	Joint Piece	580-1914	1	580-1914	1	580-1914	1	580-1914	1	580-1914	1
33.	Warranty Card - Metal	—	1	—	1	—	1	—	1	—	1
34.	"Warning" Sign	560-1046	1	560-1046	1	560-1046	1	560-1046	1	560-1046	1
35.	"Read Me First" Booklet	573-2777	1	573-2777	1	573-2777	1	573-2777	1	573-2777	1
36.	Adhesive Squares	310-1034	6	310-1034	6	310-1034	6	310-1034	6	310-1034	6
37.	Safety Video	573-2500	1	573-2500	1	573-2500	1	573-2500	1	573-2500	1

*Screws are available in most hardware stores.

**For additional patch kits order Part No. 0-5604-000.

***Write the number of your liner in the spaces provided here and above. # _____.

EXPLODED VIEW





Important! Above-ground pools are designed for swimming and wading only. **Do not Dive or Jump!** Misuse of your pool may result in crippling injury and/or other dangers to life and health. Do not use slides, diving boards, or any other platform or object which can be used for improper pool entry. Use only an above-ground swimming pool ladder to enter or exit your pool. It is the pool owner's responsibility to secure the pool against unauthorized, unsupervised or unintentional entry. It is also the pool owner's responsibility to warn all pool users of the hazards of diving into shallow water: paralyzing injury may result. Always obey all safety rules. Remember, pool safety is everybody's responsibility.

Change of Design: Doughboy Recreational expressly reserves the right to change or modify the design and construction of any product in due course of their manufacturing procedures, without incurring any obligation to furnish or install such changes or modifications on products previously or subsequently sold.



DOUGHBOY RECREATIONAL • 10959 Jersey Blvd. • Rancho Cucamonga, CA 91730
 Visit our website at www.doughboy-pools.com