



Shadow Ridge

Oval Pool

Parts List



Shadow Ridge Oval Pool — Parts List

ITEM #	DESCRIPTION	24' x 12' x 52"		24' x 16' x 52"		32' x 16' x 52"	
		PART #	QTY.	PART #	QTY.	PART#	QTY.
	ASSEMBLY PACK	0-9942-601	1	0-9946-601	1	0-9926-601	1
1.	Plastic Coping, 24"	545-1001	33	545-1001	36	545-1001	44
2.	Vertical End Cap	580-1619	20	580-1619	24	580-1619	24
3.	Side Vertical Cap	580-1887	6	580-1887	4	580-1887	8
4.	Vertical Center Section	580-1954	10	580-1954	12	580-1954	12
5.	Stabilizer Rail, small dia.	583-1012	8	583-1012	10	583-1012	10
***6.	Stabilizer Rail, large dia.	583-1011	12	583-1011	10	583-1011	14
7.	Bottom Rail (Stamped 12 or 16)	589-1046	12	589-1047	10	589-1047	10
8.	Side Rail (Stamped S)	589-1052	4	589-1052	2	589-1052	6
9.	Transition Rail (Stamped TR)	—	—	589-1053	4	589-1053	4
10.	6" Outer Connector (Ends)	580-1958	10	580-1958	12	580-1958	12
11.	Outer Connector Bracket	580-1912	6	580-1912	4	580-1912	8
12.	Inner Connector	5186-1205	16	5186-1205	16	5186-1205	20
13.	Outer Connector, 6" x 3" (Side)	580-1970	6	580-1970	4	580-1970	8
*14.	#10 x 3/8" Sheet Metal Screw	510-1000	130	510-1000	156	510-1000	156
*15.	Machine Screw, #10-24 x 1/2" pan head	510-1008	6	510-1008	4	510-1008	8
*16.	Square Nut, #10-24	321-1025	6	321-1025	4	321-1025	8
17.	SideTop Rail	587-1393	4	—	—	—	—
18.	Pool Parts List	573-2958	1	573-2958	1	573-2958	1
19.	Pool Installation Instructions	573-2957	1	573-2957	1	573-2957	1
20.	"Read Me First" Booklet	573-2777	1	573-2777	1	573-2777	1
21.	"Enjoy Your Pool" Booklet	573-2743	1	573-2743	1	573-2743	1
22.	"Safety First" Booklet	573-2778	1	573-2778	1	573-2778	1
23.	"Children Aren't . . ." Brochure	573-2338	1	573-2338	1	573-2338	1
24.	"Pool & Spa . . ." Brochure	573-2393	1	573-2393	1	573-2393	1
25.	Warranty Card - Metal	—	1	—	1	—	1
26.	Product Registration Card	565-1117	1	565-1117	1	565-1117	1
	TOP RAIL PACK	0-9803-601	1	0-9816-601	1	0-9810-601	2
27.	Top Rail	587-1394	12	587-1393	16	587-1393	20
	POOL LINER CARTON						
****28.	Pool Liner	0-2412-___	1	0-2416-___	1	0-3216-___	1
29.	Chlorine/Winterizing Instructions	573-2421	1	573-2421	1	573-2421	1
30.	"Warning" Decal	560-1041	3	560-1041	3	560-1041	3
31.	Warranty Card - Liner	—	1	—	1	—	1
32.	Installation Insert Sheet	369-1145	1	369-1145	1	369-1145	1
**33.	Repair Patch	564-1000	1	564-1000	1	564-1000	1
34.	—	—	—	—	—	—	—
35.	"Read Me First" Booklet	573-2777	1	573-2777	1	573-2777	1
36.	"Shallow" Decal, 3-3/4 ft.	560-1056	3	560-1056	3	560-1056	3
37.	Shallow Decal Insert Sheet	369-1216	1	369-1216	1	369-1216	1
	SIDEWALL CARTON						
38.	Sidewall	0-0852-042	1	0-0852-046	1	0-0852-026	2
39.	Joint Piece	580-1914	1	580-1914	1	580-1914	2
40.	Large Cover Plate	—	—	—	—	580-1979	1
41.	Small Cover Plate	—	—	—	—	580-1980	1
42.	—	—	—	—	—	—	—
43.	"Warning" Sign	560-1046	1	560-1046	1	560-1046	1
44.	"Read Me First" Booklet	573-2777	1	573-2777	1	573-2777	1
45.	Adhesive Squares	310-1034	6	310-1034	6	310-1034	6
46.	Safety Video	573-2500	1	573-2500	1	573-2500	1
	VERTICAL PACK	0-9710-601	1	0-9712-601	1	0-9712-601	1
47.	Vertical Side Section	580-1955	20	580-1955	24	580-1955	24
	SUPPORT PACK 4 — CARTON	—	—	0-8495-054	1	0-8495-054	2
	SUPPORT PACK 6 — CARTON	0-8495-056	1	—	—	—	—
48.	Side Vertical	580-1964	6	580-1964	4	580-1964	8
49.	Horizontal Support	580-1962	6	580-1962	4	580-1962	8
50.	Vertical Brace	580-1969	6	580-1969	4	580-1969	8
51.	Support Bracket	580-1862	6	580-1862	4	580-1862	8
52.	Brace Connector-Long	580-1051	6	580-1051	4	580-1051	8
53.	Brace Connector-Short	580-1971	6	580-1971	4	580-1971	8
54.	Pressure Pad	580-1965	6	580-1965	4	580-1965	8
55.	Horizontal End Cap	580-1412	6	580-1412	4	580-1412	8
56.	Bottom Rail Locator	580-1793	6	580-1793	4	580-1793	8
57.	Tension Strap - 12'	580-1966	3	—	—	—	—
58.	Tension Strap - 16'	—	—	580-1967	2	580-1967	4
*59.	Hex Head Screw, 1/4 - 20 x 1/2"	510-1018	108	510-1018	72	510-1018	144
*60.	Hex Nut 1/4 - 20	511-1000	108	511-1000	72	511-1000	144
*61.	#10 x 3/8" Sheet Metal Screw	510-1000	138	510-1000	92	510-1000	184

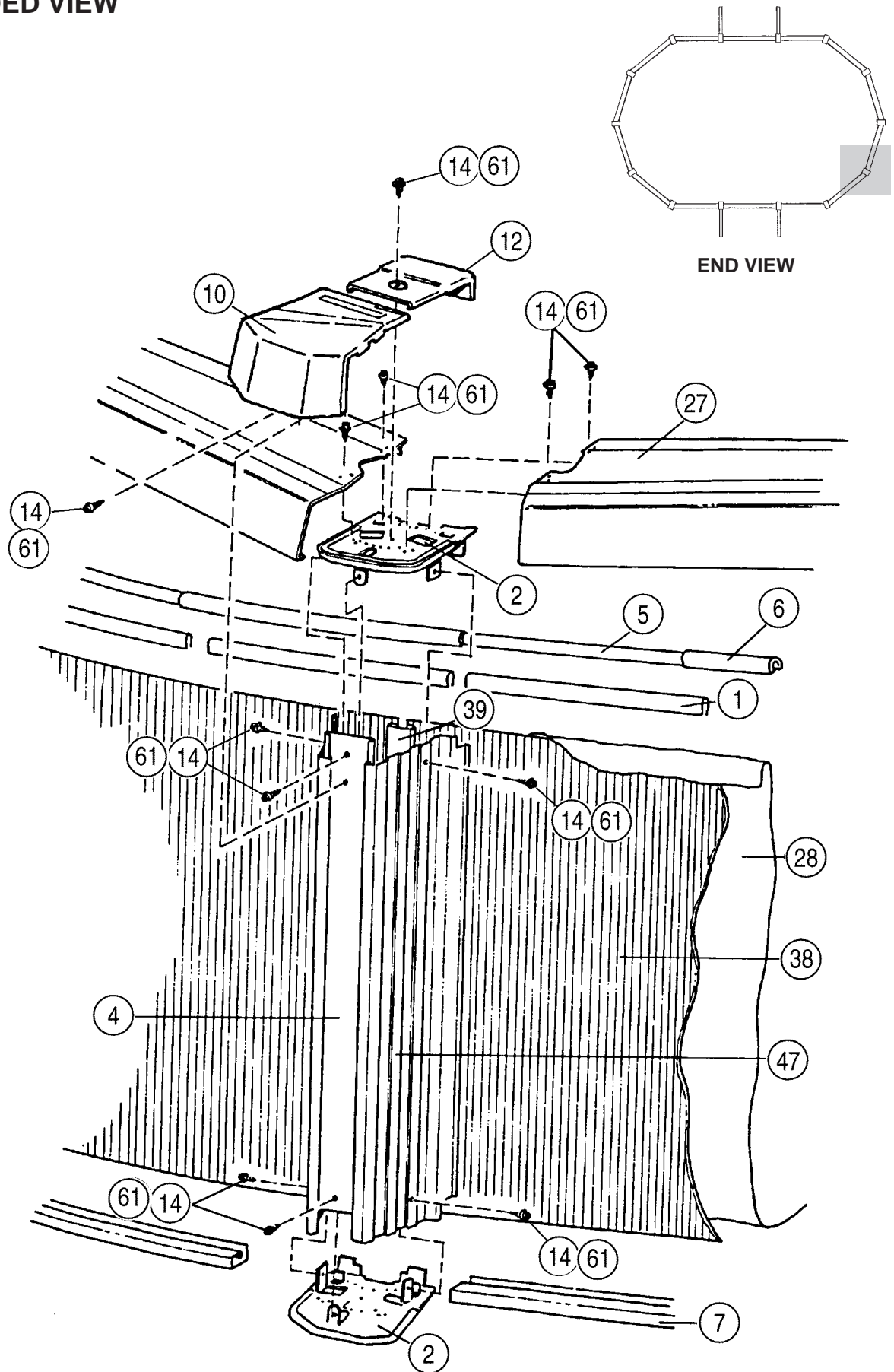
*Screws are available in most hardware stores.

**For additional patch kits order Part No. 0-5604-000.

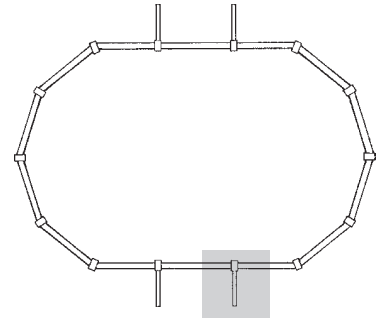
***These stabilizers are 43 1/4" long and are used on the sides between the buttresses. Use all remaining small and large stabilizers on the ends of the pool.

****Write the number of your liner in the spaces provided here and above. #_____.

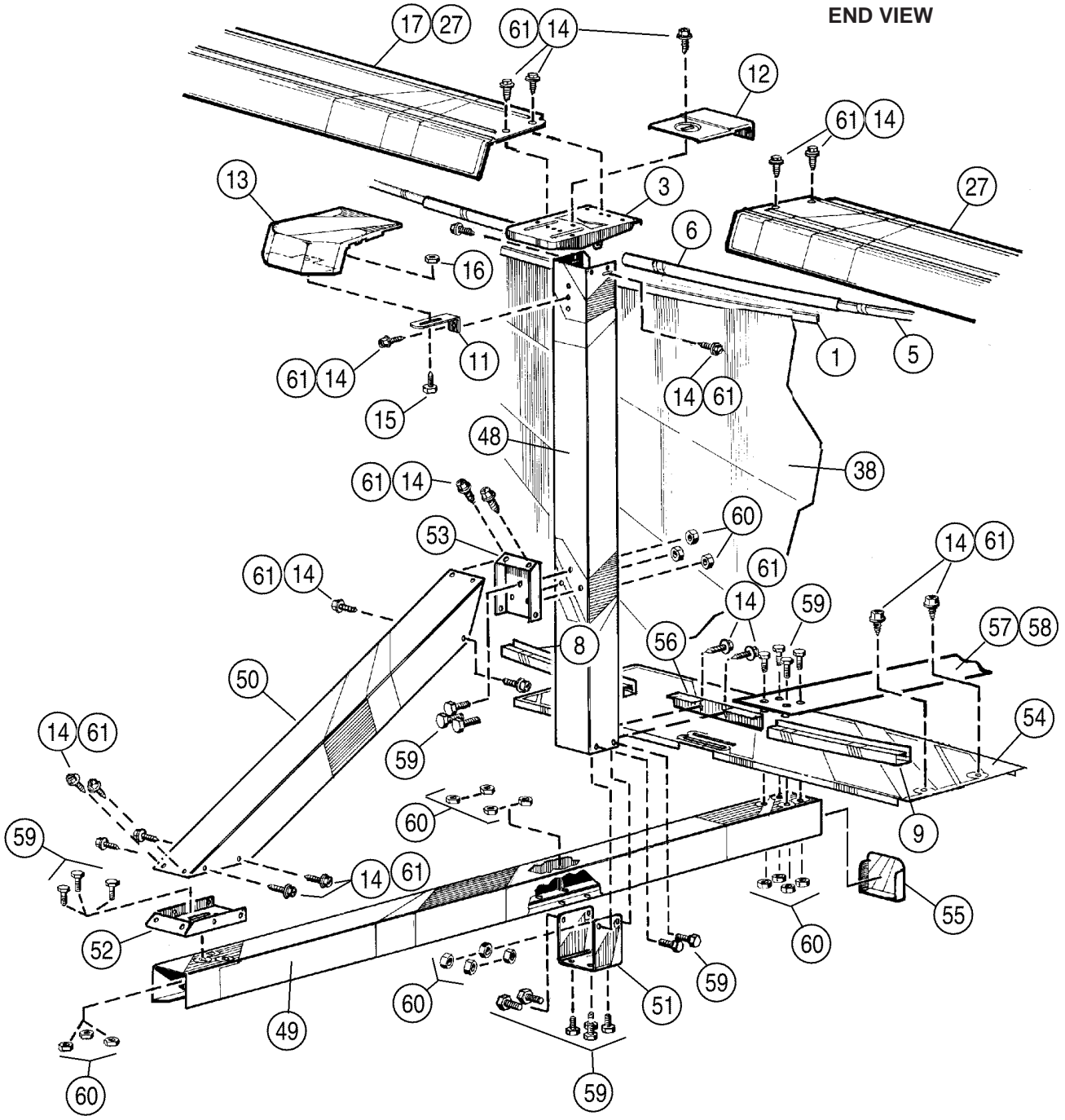
EXPLODED VIEW



EXPLODED VIEW



END VIEW





Important! Above-ground pools are designed for swimming and wading only. **Do not Dive or Jump!** Misuse of your pool may result in crippling injury and/or other dangers to life and health. Do not use slides, diving boards, or any other platform or object which can be used for improper pool entry. Use only an above-ground swimming pool ladder to enter or exit your pool. It is the pool owner's responsibility to secure the pool against unauthorized, unsupervised or unintentional entry. It is also the pool owner's responsibility to warn all pool users of the hazards of diving into shallow water: paralyzing injury may result. Always obey all safety rules. Remember, pool safety is everybody's responsibility.

Change of Design: Doughboy Recreational expressly reserves the right to change or modify the design and construction of any product in due course of their manufacturing procedures, without incurring any obligation to furnish or install such changes or modifications on products previously or subsequently sold.

"the original portable pool"
doughboy[®]

DOUGHBOY RECREATIONAL • 10959 Jersey Blvd. • Rancho Cucamonga, CA 91730
 Visit our website at www.doughboy-pools.com