



Morning Dance

Round Pool

Parts List



Morning Dance Round Pool — Parts List

| ITEM # | DESCRIPTION | 12' x 48" | | 16' x 48" | | 18' x 48" | | 21' x 48" | | 24' x 48" | | 28' x 48" | |
|--------|--|------------|------|------------|------|------------|------|------------|------|------------|------|------------|------|
| | | PART # | QTY. | PART # | QTY. | PART # | QTY. | PART # | QTY. | PART # | QTY. | PART # | QTY. |
| | ASSEMBLY PACK | 0-9912-905 | 1 | 0-9916-905 | 1 | 0-9918-905 | 1 | 0-9921-905 | 1 | 0-9924-905 | 1 | 0-9928-905 | 1 |
| 1. | Plastic Coping, 24" | 545-1001 | 22 | 545-1001 | 28 | 545-1001 | 30 | 545-1001 | 35 | 545-1001 | 40 | 545-1001 | 46 |
| †2. | Connector Decor Strip | 340-2214 | 11 | 340-2214 | 13 | 340-2214 | 15 | 340-2214 | 17 | 340-2214 | 19 | 340-2214 | 22 |
| 3. | Vertical End Cap | 580-1587 | 20 | 580-1587 | 24 | 580-1587 | 28 | 580-1587 | 32 | 580-1587 | 36 | 580-1587 | 42 |
| 4. | Vertical Center Section | 580-2004 | 10 | 580-2004 | 12 | 580-2004 | 14 | 580-2004 | 16 | 580-2004 | 18 | 580-2004 | 21 |
| 5. | Stabilizer Rail, small dia. | 583-1012 | 6 | 583-1012 | 8 | 583-1012 | 9 | 583-1004 | 10 | 583-1004 | 11 | 583-1004 | 13 |
| 6. | Stabilizer Rail, large dia. | 583-1011 | 6 | 583-1011 | 8 | 583-1011 | 9 | 583-1005 | 10 | 583-1005 | 11 | 583-1005 | 13 |
| 7. | Bottom Rail | 589-1046 | 10 | 589-1047 | 12 | 589-1048 | 14 | 589-1049 | 16 | 589-1050 | 18 | 589-1051 | 21 |
| 8. | Top Connector | 5186-1207 | 10 | 5186-1207 | 12 | 5186-1207 | 14 | 5186-1207 | 16 | 5186-1207 | 18 | 5186-1207 | 21 |
| 9. | Connector Skirt | 580-2005 | 10 | 580-2005 | 12 | 580-2005 | 14 | 580-2005 | 16 | 580-2005 | 18 | 580-2005 | 21 |
| *10. | Sheet Metal#10 x 3/8" Lg. Hex Washer Hd. Screw | 510-1000 | 130 | 510-1000 | 156 | 510-1000 | 182 | 510-1000 | 208 | 510-1000 | 234 | 510-1000 | 273 |
| 11. | Pool Parts List | 573-2953 | 1 | 573-2953 | 1 | 573-2953 | 1 | 573-2953 | 1 | 573-2953 | 1 | 573-2953 | 1 |
| 12. | Pool Installation Instructions | 573-2947 | 1 | 573-2947 | 1 | 573-2947 | 1 | 573-2947 | 1 | 573-2947 | 1 | 573-2947 | 1 |
| 13. | "Read Me First" Booklet | 573-2777 | 1 | 573-2777 | 1 | 573-2777 | 1 | 573-2777 | 1 | 573-2777 | 1 | 573-2777 | 1 |
| 14. | "Enjoy Your Pool" Booklet | 573-2743 | 1 | 573-2743 | 1 | 573-2743 | 1 | 573-2743 | 1 | 573-2743 | 1 | 573-2743 | 1 |
| 15. | "Safety First" Booklet | 573-2778 | 1 | 573-2778 | 1 | 573-2778 | 1 | 573-2778 | 1 | 573-2778 | 1 | 573-2778 | 1 |
| 16. | "Children Aren't . . ." Brochure | 573-2338 | 1 | 573-2338 | 1 | 573-2338 | 1 | 573-2338 | 1 | 573-2338 | 1 | 573-2338 | 1 |
| 17. | "Pool & Spa . . ." Brochure | 573-2393 | 1 | 573-2393 | 1 | 573-2393 | 1 | 573-2393 | 1 | 573-2393 | 1 | 573-2393 | 1 |
| 18. | Warranty Card - Metal | — | 1 | — | 1 | — | 1 | — | 1 | — | 1 | — | 1 |
| 19. | Product Registration Card | 565-1117 | 1 | 565-1117 | 1 | 565-1117 | 1 | 565-1117 | 1 | 565-1117 | 1 | 565-1117 | 1 |
| | TOP RAIL PACK | 0-9801-905 | 1 | 0-9812-905 | 1 | 0-9814-905 | 1 | 0-9816-905 | 1 | 0-9809-905 | 2 | 0-9809-905 | 1 |
| 20. | Top Rail | 587-1410 | 10 | 587-1409 | 12 | 587-1409 | 14 | 587-1409 | 16 | 587-1409 | 18 | 587-1409 | 21 |
| | VERTICAL PACK | 0-9710-905 | 1 | 0-9712-905 | 1 | 0-9714-905 | 1 | 0-9716-905 | 1 | 0-9718-905 | 1 | 0-9721-905 | 1 |
| 21. | Vertical Side Section | 580-2007 | 20 | 580-2007 | 24 | 580-2007 | 28 | 580-2007 | 32 | 580-2007 | 36 | 580-2007 | 42 |
| | POOL LINER CARTON | | | | | | | | | | | | |
| ***22. | Pool Liner — | 0-1248-___ | 1 | 0-1648-___ | 1 | 0-1848-___ | 1 | 0-2148-___ | 1 | 0-2448-___ | 1 | 0-2848-___ | 1 |
| 23. | Chlorine/Winterizing Instructions | 573-2421 | 1 | 573-2421 | 1 | 573-2421 | 1 | 573-2421 | 1 | 573-2421 | 1 | 573-2421 | 1 |
| 24. | Installation Instruction Insert | 369-1145 | 1 | 369-1145 | 1 | 369-1145 | 1 | 369-1145 | 1 | 369-1145 | 1 | 369-1145 | 1 |
| 25. | "Warning" Decal | 560-1041 | 3 | 560-1041 | 3 | 560-1041 | 3 | 560-1041 | 3 | 560-1041 | 3 | 560-1041 | 3 |
| 26. | Warranty Card - Liner | — | 1 | — | 1 | — | 1 | — | 1 | — | 1 | — | 1 |
| **27. | Repair Patch | 564-1000 | 1 | 564-1000 | 1 | 564-1000 | 1 | 564-1000 | 1 | 564-1000 | 1 | 564-1000 | 1 |
| 28. | "Deeper Area" Decal | 560-1042 | 2 | 560-1042 | 2 | 560-1042 | 2 | 560-1042 | 2 | 560-1042 | 2 | 560-1042 | 2 |
| 29. | "Shallow" Decal | 560-1043 | 3 | 560-1043 | 3 | 560-1043 | 3 | 560-1043 | 3 | 560-1043 | 3 | 560-1043 | 3 |
| 30. | "Read Me First" Booklet | 573-2777 | 1 | 573-2777 | 1 | 573-2777 | 1 | 573-2777 | 1 | 573-2777 | 1 | 573-2777 | 1 |
| | SIDEWALL CARTON | | | | | | | | | | | | |
| 31. | Sidewall | 0-0809-012 | 1 | 0-0809-016 | 1 | 0-0809-018 | 1 | 0-0809-021 | 1 | 0-0809-024 | 1 | 0-0809-028 | 1 |
| 32. | Joint Piece | 580-1002 | 1 | 580-1002 | 1 | 580-1002 | 1 | 580-1002 | 1 | 580-1002 | 1 | 580-1002 | 1 |
| 33. | Large Cover Plate | — | — | — | — | — | — | — | — | — | — | 580-2003 | 1 |
| 34. | Small Cover Plate | — | — | — | — | — | — | — | — | — | — | 580-2002 | 1 |
| 35. | "Warning" Sign | 560-1046 | 1 | 560-1046 | 1 | 560-1046 | 1 | 560-1046 | 1 | 560-1046 | 1 | 560-1046 | 1 |
| 36. | "Read Me First" Booklet | 573-2777 | 1 | 573-2777 | 1 | 573-2777 | 1 | 573-2777 | 1 | 573-2777 | 1 | 573-2777 | 1 |
| 37. | Adhesive Squares | 310-1034 | 6 | 310-1034 | 6 | 310-1034 | 6 | 310-1034 | 6 | 310-1034 | 6 | 310-1034 | 6 |
| 38. | Safety Video | 573-2500 | 1 | 573-2500 | 1 | 573-2500 | 1 | 573-2500 | 1 | 573-2500 | 1 | 573-2500 | 1 |

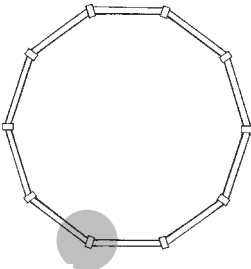
*Screws are available in most hardware stores.

**For additional patch kits order Part No. 0-5604-000.

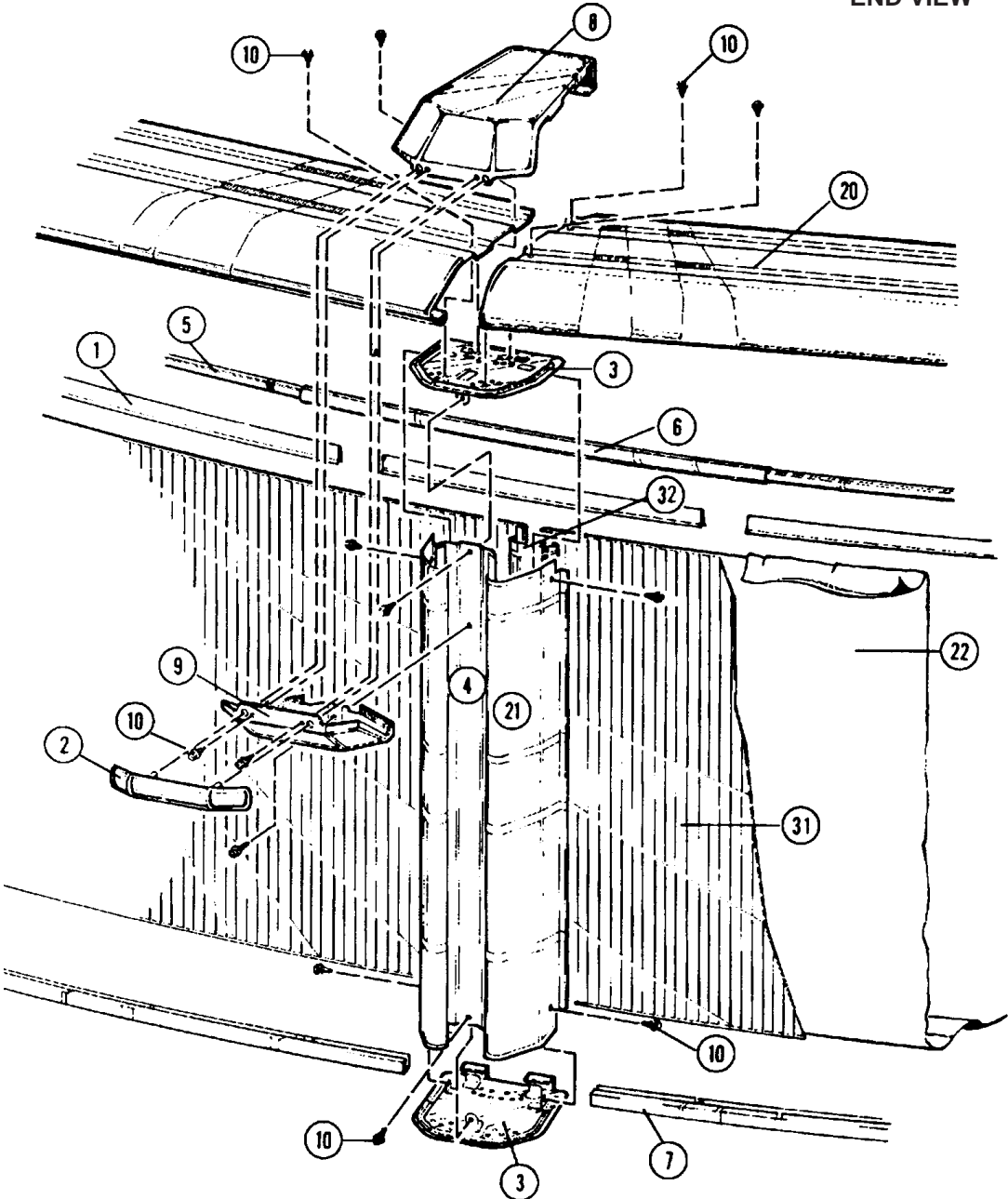
***If you have received a liner other than the one listed above, write the number of your liner in the space provided. # _____.

† One extra decor strip is provided.

EXPLODED VIEW



END VIEW





Important! Above-ground pools are designed for swimming and wading only. **Do not Dive or Jump!** Misuse of your pool may result in crippling injury and/or other dangers to life and health. Do not use slides, diving boards, or any other platform or object which can be used for improper pool entry. Use only an above-ground swimming pool ladder to enter or exit your pool. It is the pool owner's responsibility to secure the pool against unauthorized, unsupervised or unintentional entry. It is also the pool owner's responsibility to warn all pool users of the hazards of diving into shallow water: paralyzing injury may result. Always obey all safety rules. Remember, pool safety is everybody's responsibility.

Change of Design: Doughboy Recreational expressly reserves the right to change or modify the design and construction of any product in due course of their manufacturing procedures, without incurring any obligation to furnish or install such changes or modifications on products previously or subsequently sold.



DOUGHBOY RECREATIONAL • 10959 Jersey Blvd. • Rancho Cucamonga, CA 91730
Visit our website at www.doughboy-pools.com