



Morning Dance

Oval Pool

Parts List



Morning Dance Oval Pool — Parts List

ITEM #	DESCRIPTION	24' x 16' x 48"		28' x 16' x 48"		32' x 16' x 48"		34' x 18' x 48"		38' x 18' x 48"		41' x 21' x 48"	
		PART #	QTY.	PART #	QTY.	PART #	QTY.	PART #	QTY.	PART #	QTY.	PART #	QTY.
	ASSEMBLY PACK	0-9946-905	1	0-9986-905	1	0-9926-905	1	0-9948-905	1	0-9988-905	1	0-9911-905	1
1.	Plastic Coping, 24"	545-1001	36	545-1001	40	545-1001	44	545-1001	46	545-1001	50	545-1001	55
†2.	Connector Decor Strip	340-2214	17	340-2214	19	340-2214	21	340-2214	23	340-2214	25	340-2214	27
3.	Vertical End Cap	580-1587	24	580-1587	24	580-1587	24	580-1587	28	580-1587	28	580-1587	32
4.	Vertical Center Section	580-2004	12	580-2004	12	580-2004	12	580-2004	14	580-2004	14	580-2004	16
5.	Stabilizer Rail, small dia.	583-1012	10	583-1012	10	583-1012	10	583-1012	10	583-1012	10	583-1004	12
6.	Stabilizer Rail, large dia.											583-1005	10
**6A.	Stabilizer Rail, large dia.	583-1011	10	583-1011	12	583-1011	14	583-1011	16	583-1011	18	583-1011	8
7.	Bottom Rail (Stamped 16, 18 or 21)	589-1047	10	589-1047	10	589-1047	10	589-1048	16	589-1048	16	589-1049	14
8.	Side Rail (Stamped S)	589-1052	2	589-1052	4	589-1052	6	589-1052	6	589-1052	8	589-1052	8
9.	Transition Rail (Stamped TR)	589-1053	4	589-1053	4	589-1053	4					589-1053	4
10.	Outer Connector Bracket	580-1912	4	580-1912	6	580-1912	8	580-1912	8	580-1912	10	580-1912	10
11.	Connector Support Bracket	580-1654	4	580-1654	6	580-1654	8	580-1654	8	580-1654	10	580-1654	10
12.	Side Vertical Cap	580-1887	4	580-1887	6	580-1887	8	580-1887	8	580-1887	10	580-1887	10
13.	Connector Skirt, Vertical	580-2005	12	580-2005	12	580-2005	12	580-2005	14	580-2005	14	580-2005	16
14.	Top Connector	5186-1207	16	5186-1207	18	5186-1207	20	5186-1207	22	5186-1207	24	5186-1207	26
15.	Connector, Skirt, Buttress	580-2006	4	580-2006	6	580-2006	8	580-2006	8	580-2006	10	580-2006	10
*16.	Sheet Metal Screw, # 10x3/8" Type AB	510-1000	192	510-1000	210	510-1000	228	510-1000	258	510-1000	276	510-1000	298
*17.	Machine Screw, # 10-24 x 1/2" pan head	510-1008	4	510-1008	6	510-1008	8	510-1008	8	510-1008	10	510-1008	10
*18.	Square Nut, # 10-24	321-1025	4	321-1025	6	321-1025	8	321-1025	8	321-1025	10	321-1025	10
19.	Pool Parts List	573-2952	1	573-2952	1	573-2952	1	573-2952	1	573-2952	1	573-2952	1
20.	Pool Installation Instructions	573-2949	1	573-2949	1	573-2949	1	573-2949	1	573-2949	1	573-2949	1
21.	"Read Me First" Booklet	573-2777	1	573-2777	1	573-2777	1	573-2777	1	573-2777	1	573-2777	1
22.	"Enjoy Your Pool" Booklet	573-2743	1	573-2743	1	573-2743	1	573-2743	1	573-2743	1	573-2743	1
23.	"Safety First" Booklet	573-2778	1	573-2778	1	573-2778	1	573-2778	1	573-2778	1	573-2778	1
24.	"Children Aren't . . ." Booklet	573-2338	1	573-2338	1	573-2338	1	573-2338	1	573-2338	1	573-2338	1
25.	"Pool & Spa . . ." Booklet	573-2393	1	573-2393	1	573-2393	1	573-2393	1	573-2393	1	573-2393	1
26.	Warranty Card	—	1	—	1	—	1	—	1	—	1	—	1
27.	Product Registration Card	565-1117	1	565-1117	1	565-1117	1	565-1117	1	565-1117	1	565-1117	1
	TOP RAIL PACK	0-9816-905	1	0-9809-905	2	0-9810-905	2	0-9810-905	1	0-9812-905	2	0-9812-905	1
28.	Top Rail	587-1409	16	587-1409	18	587-1409	20	587-1409	22	587-1409	24	587-1409	26
	VERTICAL CARTON	0-9712-905	1	0-9712-905	1	0-9712-905	1	0-9714-905	1	0-9714-905	1	0-9716-905	1
29.	Vertical Side Section	580-2007	24	580-2007	24	580-2007	24	580-2007	28	580-2007	28	580-2007	32
	POOL LINER CARTON	0-2416-___	1	0-2816-___	1	0-3216-___	1	0-3418-___	1	0-3818-___	1	0-4121-___	1
***30.	Pool Liner												
31.	Chlorine/Winterizing Instructions	573-2421	1	573-2421	1	573-2421	1	573-2421	1	573-2421	1	573-2421	1
32.	Installation Instruction Insert	369-1145	1	369-1145	1	369-1145	1	369-1145	1	369-1145	1	369-1145	1
33.	"Warning" Decal	560-1041	3	560-1041	3	560-1041	3	560-1041	3	560-1041	3	560-1041	3
34.	Warranty Card - Liner	—	1	—	1	—	1	—	1	—	1	—	1
**35.	Repair Patch	564-1000	1	564-1000	1	564-1000	1	564-1000	1	564-1000	1	564-1000	1
36.	"Deeper Area" Decal	560-1042	2	560-1042	2	560-1042	2	560-1042	2	560-1042	2	560-1042	2
37.	"Shallow" Decal	560-1043	3	560-1043	3	560-1043	3	560-1043	3	560-1043	3	560-1043	3
38.	"Read Me First" Booklet	573-2777	1	573-2777	1	573-2777	1	573-2777	1	573-2777	1	573-2777	1
	SIDEWALL CARTON	0-0809-046	1	0-0809-086	1	0-0809-026	2	0-0809-048	2	0-0809-088	2	0-0809-011	2
39.	Sidewall												
40.	Joint Piece	580-1002	1	580-1002	1	580-1002	2	580-1002	2	580-1002	2	580-1002	2
41.	Large Cover Plate	—		—		580-2003	2	580-2003	2	580-2003	2	580-2003	2
42.	Small Cover Plate	—		—		580-2002	2	580-2002	2	580-2002	2	580-2002	2
43.	"Warning" Sign	560-1046	1	560-1046	1	560-1046	2	560-1046	2	560-1046	2	560-1046	2
44.	"Read Me First" Booklet	573-2777	1	573-2777	1	573-2777	2	573-2777	2	573-2777	2	573-2777	2
45.	Adhesive Squares	310-1034	6	310-1034	6	310-1034	12	310-1034	12	310-1034	12	310-1034	12
46.	Safety Video	573-2500	1	573-2500	1	573-2500	2	573-2500	2	573-2500	2	573-2500	2
	SUPPORT PACK 2 — CARTON			0-8888-052	1					0-8888-052	1	0-8888-052	1
	SUPPORT PACK 4 — CARTON	0-8888-054	1	0-8888-054	1	0-8888-054	2	0-8888-054	2	0-8888-054	2	0-8888-054	2
47.	Vertical Brace - Right	580-2008	4	580-2008	6	580-2008	8	580-2008	8	580-2008	10	580-2008	10
48.	Vertical Brace - Left	580-2009	4	580-2009	6	580-2009	8	580-2009	8	580-2009	10	580-2009	10
49.	Support Vertical	580-2010	4	580-2010	6	580-2010	8	580-2010	8	580-2010	10	580-2010	10
50.	Skid Support	580-1779	4	580-1779	6	580-1779	8	580-1779	8	580-1779	10	580-1779	10
51.	Ground Support - Top	580-1851	4	580-1851	6	580-1851	8	580-1851	8	580-1851	10	580-1851	10
52.	Ground Support - Bottom	580-1852	4	580-1852	6	580-1852	8	580-1852	8	580-1852	10	580-1852	10
53.	Vertical Spacer	341-1257	12	341-1257	18	341-1257	24	341-1257	24	341-1257	30	341-1257	30
54.	Pressure Pad - Outside	580-1869	4	580-1869	6	580-1869	8	580-1869	8	580-1869	10	580-1869	10
55.	Pressure Pad - Side Vertical	580-1870	4	580-1870	6	580-1870	8	580-1870	8	580-1870	10	580-1870	10
56.	Bottom Rail Locator	580-1792	4	580-1792	6	580-1792	8	580-1792	8	580-1792	10	580-1792	10
*57.	Sheet Metal Screw, No. 12 x 3/4"	510-1035	24	510-1035	36	510-1035	48	510-1035	48	510-1035	60	510-1035	60
*58.	Hex Head Bolt, 3/8 - 16 x 3-1/2"	330-1220	32	330-1220	48	330-1220	64	330-1220	64	330-1220	80	330-1220	80
*59.	Hex Nut, 3/8 - 16	321-1069	32	321-1069	48	321-1069	64	321-1069	64	321-1069	80	321-1069	80
*60.	Hex Head Screw, 1/4 - 20 x 1/2"	510-1018	16	510-1018	24	510-1018	32	510-1018	32	510-1018	40	510-1018	40
61.	Hex Nut 1/4 - 20	511-1000	16	511-1000	24	511-1000	32	511-1000	32	511-1000	40	511-1000	40
62.	Sheet Metal Screw, No. 10 x 3/8"	510-1000	36	510-1000	54	510-1000	72	510-1000	72	510-1000	90	510-1000	90
63.	Side Vertical Shim	341-1274	8	341-1274	12	341-1274	16	341-1274	16	341-1274	20	341-1274	20

*Screws are available in most hardware stores.

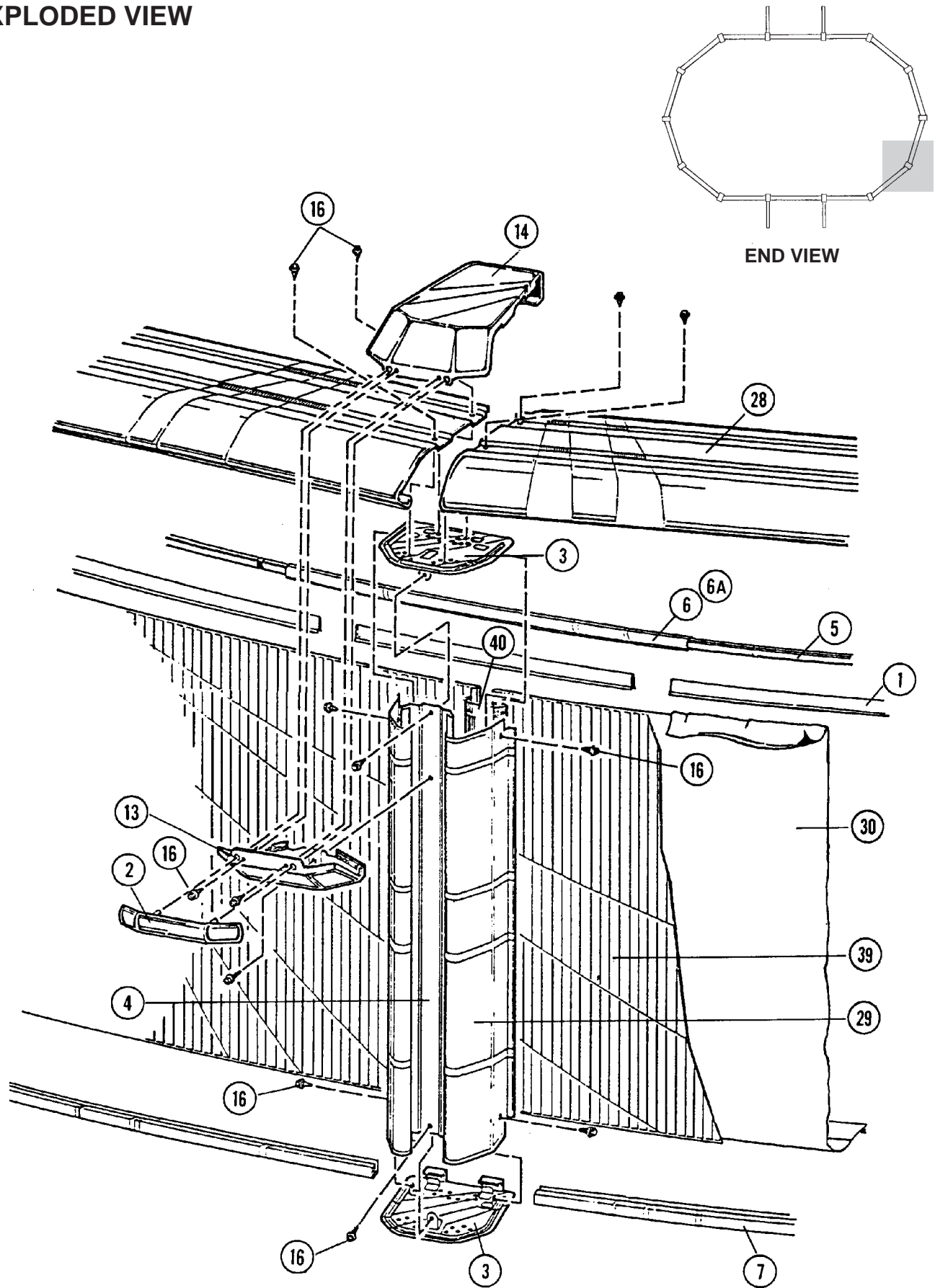
**For additional patch kits order Part No. 0-5604-000.

***These stabilizers are 43 1/4" long and are used on sides, between the buttresses. Use all remaining small and large diameter rails on the ends of the pool.

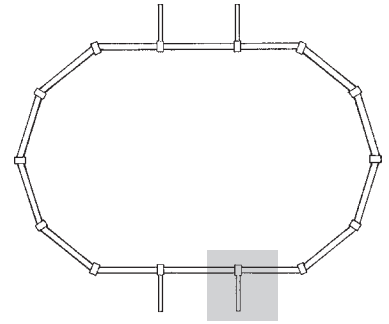
****Write the number of your liner in the spaces provided here and above. # _____.

† One extra Decor Strip is provided.

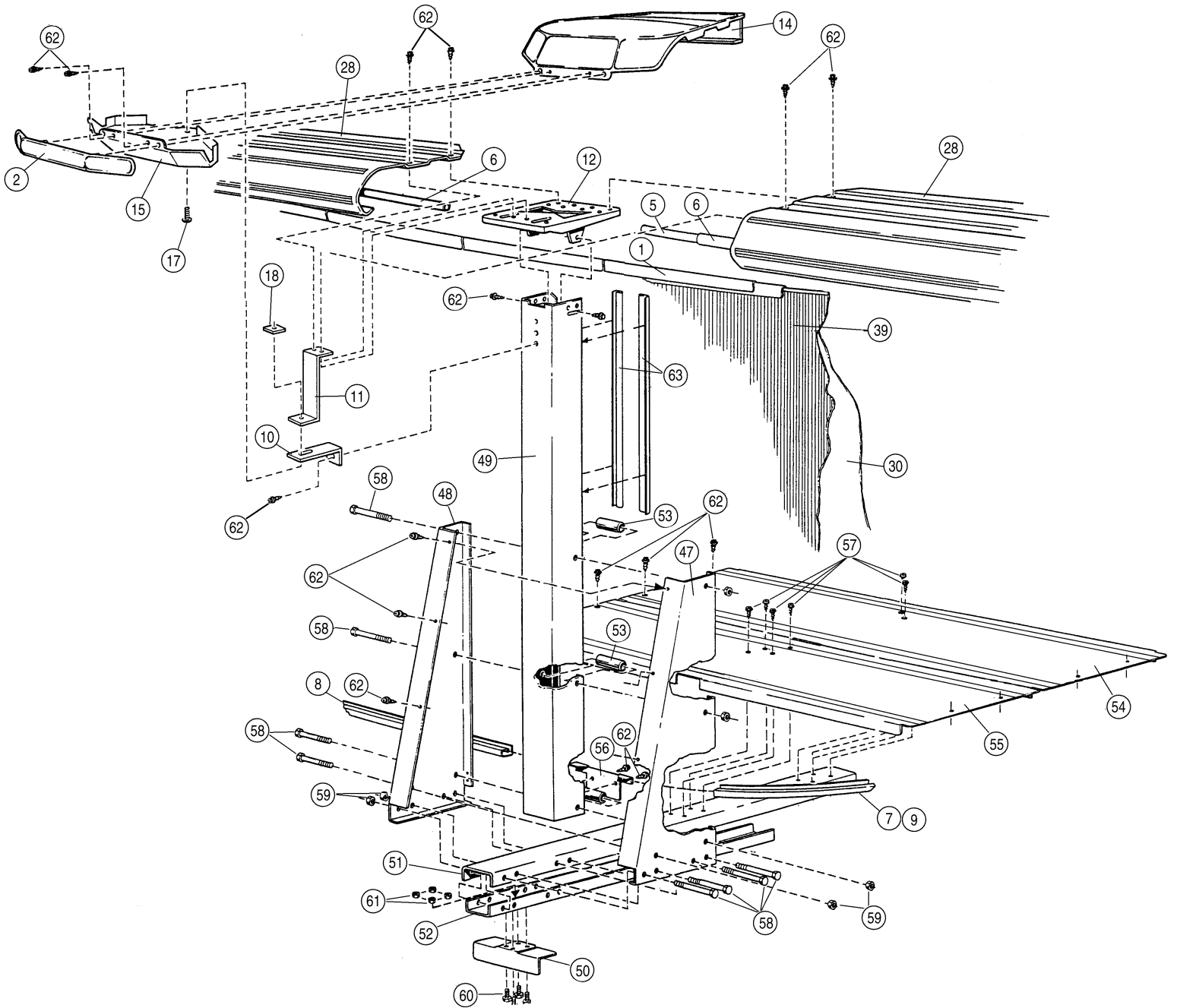
EXPLODED VIEW



EXPLODED VIEW



END VIEW





Important! Above-ground pools are designed for swimming and wading only. **Do not Dive or Jump!** Misuse of your pool may result in crippling injury and/or other dangers to life and health. Do not use slides, diving boards, or any other platform or object which can be used for improper pool entry. Use only an above-ground swimming pool ladder to enter or exit your pool. It is the pool owner's responsibility to secure the pool against unauthorized, unsupervised or unintentional entry. It is also the pool owner's responsibility to warn all pool users of the hazards of diving into shallow water: paralyzing injury may result. Always obey all safety rules. Remember, pool safety is everybody's responsibility.

Change of Design: Doughboy Recreational expressly reserves the right to change or modify the design and construction of any product in due course of their manufacturing procedures, without incurring any obligation to furnish or install such changes or modifications on products previously or subsequently sold.

"the original portable pool"

doughboy®

DOUGHBOY RECREATIONAL • 10959 Jersey Blvd. • Rancho Cucamonga, CA 91730
Visit our website at www.doughboy-pools.com