



Signature Series

10-1/2" Top Rail Round Pool

Parts List



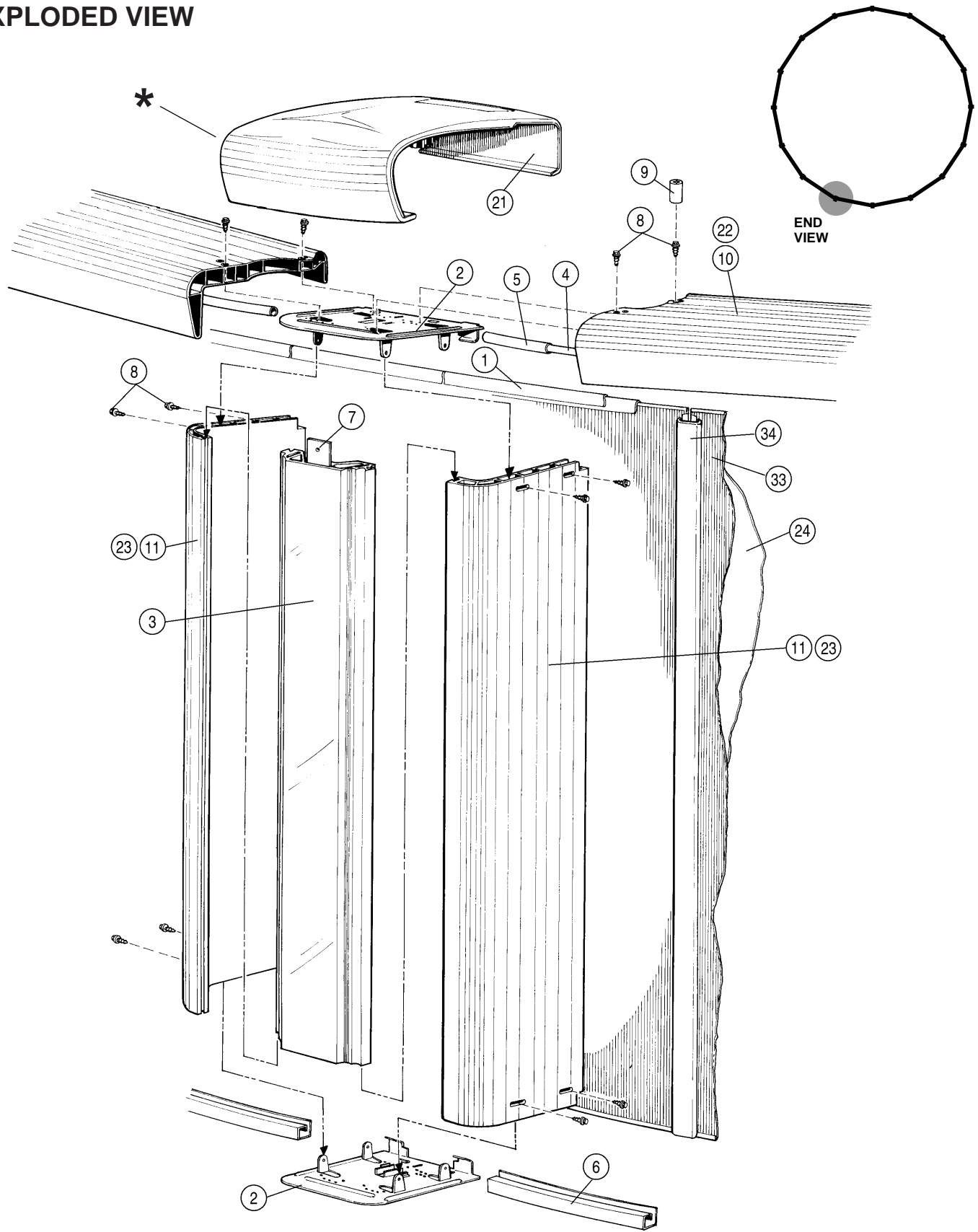
Signature Series Round Pool — Parts List

ITEM	DESCRIPTION	18' x 48"		21' x 48"		24' x 48"		28' x 48"	
		PART#	QTY.	PART#	QTY.	PART#	QTY.	PART#	QTY.
	ASSEMBLY PACK	0-9918-000	1	0-9921-000	1	0-9924-000	1	0-9928-000	1
1.	Plastic Coping - 24"	545-1001	30	545-1001	35	545-1001	40	545-1001	46
2.	Vertical End Cap	580-1775	28	580-1775	32	580-1775	36	580-1775	42
3.	Vertical Center Section	341-1271	14	341-1271	16	341-1271	18	341-1271	21
4.	Stabilizer Rail - Small	583-1012	9	583-1004	10	583-1004	11	583-1004	13
5.	Stabilizer Rail-Large	583-1011	9	583-1005	10	583-1005	11	583-1005	13
6.	Bottom Rail	589-1048	14	589-1049	16	589-1050	18	589-1051	21
7.	Fencing Strip	580-1798	14	580-1798	16	580-1798	18	580-1798	21
*8.	Sheet Metal Screw #10 x 3/8"	510-1000	168	510-1000	192	510-1000	216	510-1000	252
9.	Magnetic Socket - 5/16"	317-1016	1	317-1016	1	317-1016	1	317-1016	1
10.	Top Rail	—————	—	—————	—	—————	—	587-1292	1
11.	Vertical Side Section	—————	—	—————	—	—————	—	341-1253	2
12.	Pool Parts List	573-2969	1	573-2969	1	573-2969	1	573-2969	1
13.	Pool Installation Instructions	573-2947	1	573-2947	1	573-2947	1	573-2947	1
14.	"Read Me First" Booklet	573-2777	1	573-2777	1	573-2777	1	573-2777	1
15.	"Enjoy Your Pool" Booklet	573-2743	1	573-2743	1	573-2743	1	573-2743	1
16.	"Safety First" Booklet	573-2778	1	573-2778	1	573-2778	1	573-2778	1
17.	"Children Aren't. . ." Booklet	573-2338	1	573-2338	1	573-2338	1	573-2338	1
18.	"Pool and Spa" Booklet	573-2393	1	573-2393	1	573-2393	1	573-2393	1
19.	Warranty Card	—————	1	—————	1	—————	1	—————	1
20.	Product Registration Card	565-1117	1	565-1117	1	565-1117	1	565-1117	1
	TOP CONNECTOR PACK	0-9999-014	1	0-9999-016	1	0-9999-018	1	0-9999-021	1
21.	Top Connector	5188-0046	14	5188-0046	16	5188-0046	18	5188-0046	21
	TOP RAIL PACK	—————	—	—————	—	0-9810-000	1	0-9810-000	2
		0-9806-000	1	—————	—	—————	—	—————	—
		0-9808-000	1	0-9808-000	2	0-9808-000	1	—————	—
22.	Top Rail	587-1292	14	587-1292	16	587-1292	18	587-1292	20
	VERTICAL PACK	—————	—	—————	—	0-9710-000	1	0-9710-000	2
		0-9706-000	1	—————	—	—————	—	—————	—
		0-9708-000	1	0-9708-000	2	0-9708-000	1	—————	—
23.	Vertical Side Section	341-1253	28	341-1253	32	341-1253	36	341-1253	40
	POOL LINER CARTON	0-1848-726-000	1	0-2148-726-000	1	0-2448-726-000	1	0-2848-726-000	1
24.	Pool Liner	0-1848-726-000	1	0-2148-726-000	1	0-2448-726-000	1	0-2848-726-000	1
25.	Chlorine/Winterizing Instructions	573-2421	1	573-2421	1	573-2421	1	573-2421	1
26.	"Warning" Decal	560-1041	3	560-1041	3	560-1041	3	560-1041	3
27.	Warranty Card	—————	1	—————	1	—————	1	—————	1
**28.	Repair Patch	564-1000	1	564-1000	1	564-1000	1	564-1000	1
29.	"Deeper Area" Decal	560-1042	2	560-1042	2	560-1042	2	560-1042	2
30.	"Shallow" Decal	560-1043	3	560-1043	3	560-1043	3	560-1043	3
31.	"Read Me First" Booklet	573-2777	1	573-2777	1	573-2777	1	573-2777	1
32.	Installation Insert Sheet	369-1145	1	369-1145	1	369-1145	1	369-1145	1
	SIDEWALL CARTON	0-0608-018	1	0-0608-021	1	0-0608-024	1	0-0608-028	1
33.	Sidewall	0-0608-018	1	0-0608-021	1	0-0608-024	1	0-0608-028	1
34.	Joint Piece	580-1002	1	580-1002	1	580-1002	1	580-1002	1
35.	Large Cover Plate	—————	—	—————	—	—————	—	580-1799	1
36.	Small Cover Plate	—————	—	—————	—	—————	—	580-1800	1
37.	"Warning" Sign	560-1046	1	560-1046	1	560-1046	1	560-1046	1
38.	"Read Me First" Booklet	573-2777	1	573-2777	1	573-2777	1	573-2777	1
39.	Adhesive Squares	310-1034	6	310-1034	6	310-1034	6	310-1034	6
40.	Safety Video	573-2500	1	573-2500	1	573-2500	1	573-2500	1

* Screws are available in most hardware stores.

**For additional patch kits, order part number 0-5604-000.

EXPLODED VIEW



*** CAUTION:** To prevent a potentially damaging heat rise condition from occurring under your pool's winter cover, do not leave your cover on your pool too long at the beginning of the swimming season, or install it too soon at the end of the season. Warping of pool parts due to excessive heat is not considered to be a manufacturer's defect under the terms of your warranty.



Important! Above-ground pools are designed for swimming and wading only. **Do not Dive or Jump!** Misuse of your pool may result in crippling injury and/or other dangers to life and health. Do not use slides, diving boards, or any other platform or object which can be used for improper pool entry. Use only an above-ground swimming pool ladder to enter or exit your pool. It is the pool owner's responsibility to secure the pool against unauthorized, unsupervised or unintentional entry. It is also the pool owner's responsibility to warn all pool users of the hazards of diving into shallow water: paralyzing injury may result. Always obey all safety rules. Remember, pool safety is everybody's responsibility.

Change of Design: Doughboy Recreational expressly reserves the right to change or modify the design and construction of any product in due course of their manufacturing procedures, without incurring any obligation to furnish or install such changes or modifications on products previously or subsequently sold.

"the original portable pool"

doughboy[®]

DOUGHBOY RECREATIONAL • 10959 Jersey Blvd. • Rancho Cucamonga, CA 91730
Visit our website at www.doughboy-pools.com