



# Signature Series

10-1/2" Top Rail Oval Pool

---

## Parts List



# Signature Series Oval Pool — Parts List

ITEM #	DESCRIPTION	24' x 12' x 48"		24' x 16' x 48"		28' x 16 x 48"		32' x 16' x 48"		34' x 18' x 48"		41' x 21' x 48"	
		PART#	QTY.	PART#	QTY.	PART#	QTY.	PART#	QTY.	PART #	QTY.	PART #	QTY.
<b>ASSEMBLY PACK</b>													
	0-9942-001	1	0-9946-001	1	0-9986-001	1	0-9926-001	1	0-9948-001	1	0-9911-001	1	
1.	Plastic Coping 24"	545-1001	33	545-1001	36	545-1001	40	545-1001	44	545-1001	46	545-1001	55
2.	Vertical End Cap 10-1/2"	580-1775	26	580-1775	28	580-1775	30	580-1775	32	580-1775	36	580-1775	42
3.	Vertical Center Section-Side	341-1255	6	341-1255	4	341-1255	6	341-1255	8	341-1255	8	341-1255	10
4.	Vertical Center Section-End	341-1271	10	341-1271	12	341-1271	12	341-1271	12	341-1271	14	341-1271	16
5.	Fencing Strip	580-1798	16	580-1798	16	580-1798	18	580-1798	20	580-1798	22	580-1798	26
6.	Stabilizer Rail-Small	583-1012	8	583-1012	10	583-1012	10	583-1012	10	583-1012	10	***583-1004	12
7.	Stabilizer Rail-Large	_____	—	_____	—	_____	—	_____	—	_____	—	***583-1005	10
7A.	Stabilizer Rail - Large	583-1011	12	583-1011	10	583-1011	12	583-1011	14	583-1011	16	583-1011	8
8.	Bottom Rail	589-1046	12	589-1047	10	589-1047	10	589-1047	10	589-1048	16	589-1049	14
	(Stamped 16,18 or 21)												
9.	Side Rail (Stamped S)	589-1052	4	589-1052	2	589-1052	4	589-1052	6	589-1052	6	589-1052	8
10.	Transition Rail (Stamped TR)	_____	—	589-1053	4	589-1053	4	589-1053	4	_____	—	589-1053	4
11.	Side Vertical Bracket	580-1784	6	580-1784	4	580-1784	6	580-1784	8	580-1784	8	580-1784	10
12.	Side Vertical Bottom Cap	580-1776	12	580-1776	8	580-1776	12	580-1776	16	580-1776	16	580-1776	20
13.*	Sheet Metal Screw #10x3/8"	510-1000	222	510-1000	212	510-1000	246	510-1000	280	510-1000	304	510-1000	362
14.	Magnetic Socket 5/16"	317-1016	1	317-1016	1	317-1016	1	317-1016	1	317-1016	1	317-1016	1
15.	Pool Parts List	573-2977	1	573-2977	1	573-2977	1	573-2977	1	573-2977	1	573-2977	1
16.	Pool Installation Instructions	573-2976	1	573-2976	1	573-2976	1	573-2976	1	573-2976	1	573-2976	1
17.	"Read Me First" Booklet	573-2777	1	573-2777	1	573-2777	1	573-2777	1	573-2777	1	573-2777	1
18.	"Enjoy Your Pool" Booklet	573-2743	1	573-2743	1	573-2743	1	573-2743	1	573-2743	1	573-2743	1
19.	"Safety First" Booklet	573-2778	1	573-2778	1	573-2778	1	573-2778	1	573-2778	1	573-2778	1
20.	"Children Aren't" Booklet	573-2338	1	573-2338	1	573-2338	1	573-2338	1	573-2338	1	573-2338	1
21.	"Pool and Spa" Booklet	573-2393	1	573-2393	1	573-2393	1	573-2393	1	573-2393	1	573-2393	1
22.	Warranty Card	_____	1	_____	1	_____	1	_____	1	_____	1	_____	1
23.	Product Registration Card	565-1117	1	565-1117	1	565-1117	1	565-1117	1	565-1117	1	565-1117	1
24.	Top Rail (Common)	587-1292	4	_____	—	_____	—	_____	—	_____	—	_____	—
<b>TOP CONNECTOR PACK</b>													
25.	Top Connector	0-9999-016	1	0-9999-016	1	0-9999-018	1	0-9999-020	1	0-9999-022	1	0-9999-026	1
		5188-0046	16	5188-0046	16	5188-0046	18	5188-0046	20	5188-0046	22	5188-0046	26
<b>TOP RAIL PACK</b>													
<b>TOP RAIL PACK</b>													
26.	Top Rail	0-9821-000	1	0-9808-000	2	0-9808-000	1	0-9810-000	2	0-9806-000	1	0-9808-000	2
		_____	—	_____	—	0-9810-000	1	_____	—	0-9808-000	2	0-9810-000	1
		587-1293	12	587-1292	16	587-1292	18	587-1292	20	587-1292	22	587-1292	26
<b>VERTICAL PACK</b>													
<b>VERTICAL PACK</b>													
27.	Vertical Side Section	0-9708-000	2	0-9708-000	2	0-9708-000	1	0-9710-000	2	0-9706-000	1	0-9708-000	2
		_____	—	_____	—	0-9710-000	1	_____	—	0-9708-000	2	0-9710-000	1
		341-1253	32	341-1253	32	341-1253	36	341-1253	40	341-1253	44	341-1253	52
<b>POOL LINER CARTON</b>													
28.****	Pool Liner _____	0-2412-XXX	1	0-2416-XXX	1	0-2816-XXX	1	0-3216-XXX	1	0-3418-XXX	1	0-4121-XXX	1
29.	Chlorine/Winterizing Instruct.	573-2421	1	573-2421	1	573-2421	1	573-2421	1	573-2421	1	573-2421	1
30.	"Warning" Decal	560-1041	3	560-1041	3	560-1041	3	560-1041	3	560-1041	3	560-1041	3
31.	Warranty Card - Liner	_____	1	_____	1	_____	1	_____	1	_____	1	_____	1
32.**	Repair Patch	564-1000	1	564-1000	1	564-1000	1	564-1000	1	564-1000	1	564-1000	1
33.	"Deeper Area" Decal	560-1042	2	560-1042	2	560-1042	2	560-1042	2	560-1042	2	560-1042	2
34.	"Shallow" Decal	560-1043	3	560-1043	3	560-1043	3	560-1043	3	560-1043	3	560-1043	3
35.	"Read Me First" Booklet	573-2777	1	573-2777	1	573-2777	1	573-2777	1	573-2777	1	573-2517	1
36.	Installation Insert Sheet	369-1145	1	369-1145	1	369-1145	1	369-1145	1	369-1145	1	369-1145	1
<b>SIDEWALL CARTON</b>													
37.	Sidewall	0-0608-042	1	0-0608-046	1	0-0608-086	1	0-0608-026	2	0-0608-048	2	0-0608-011	2
38.	Joint Piece	580-1002	1	580-1002	1	580-1002	1	580-1002	2	580-1002	2	580-1002	2
39.	Large Cover Plate	_____	—	_____	—	_____	—	580-1799	2	580-1799	2	580-1799	2
40.	Small Cover Plate	_____	—	_____	—	_____	—	580-1800	2	580-1800	2	580-1800	2
41.	"Warning" Sign	560-1046	1	560-1046	1	560-1046	1	560-1046	2	560-1046	2	560-1046	2
42.	"Read Me First" Booklet	573-2777	1	573-2777	1	573-2777	1	573-2777	2	573-2777	2	573-2777	2
43.	Adhesive Squares	310-1034	6	310-1034	6	310-1034	6	310-1034	12	310-1034	12	310-1034	12
44.	Safety Video	573-2500	1	573-2500	1	573-2500	1	573-2500	2	573-2500	2	573-2500	2

\* Screws are available in most hardware stores.

\*\* For additional patch kits, order part number 0-5604-000.

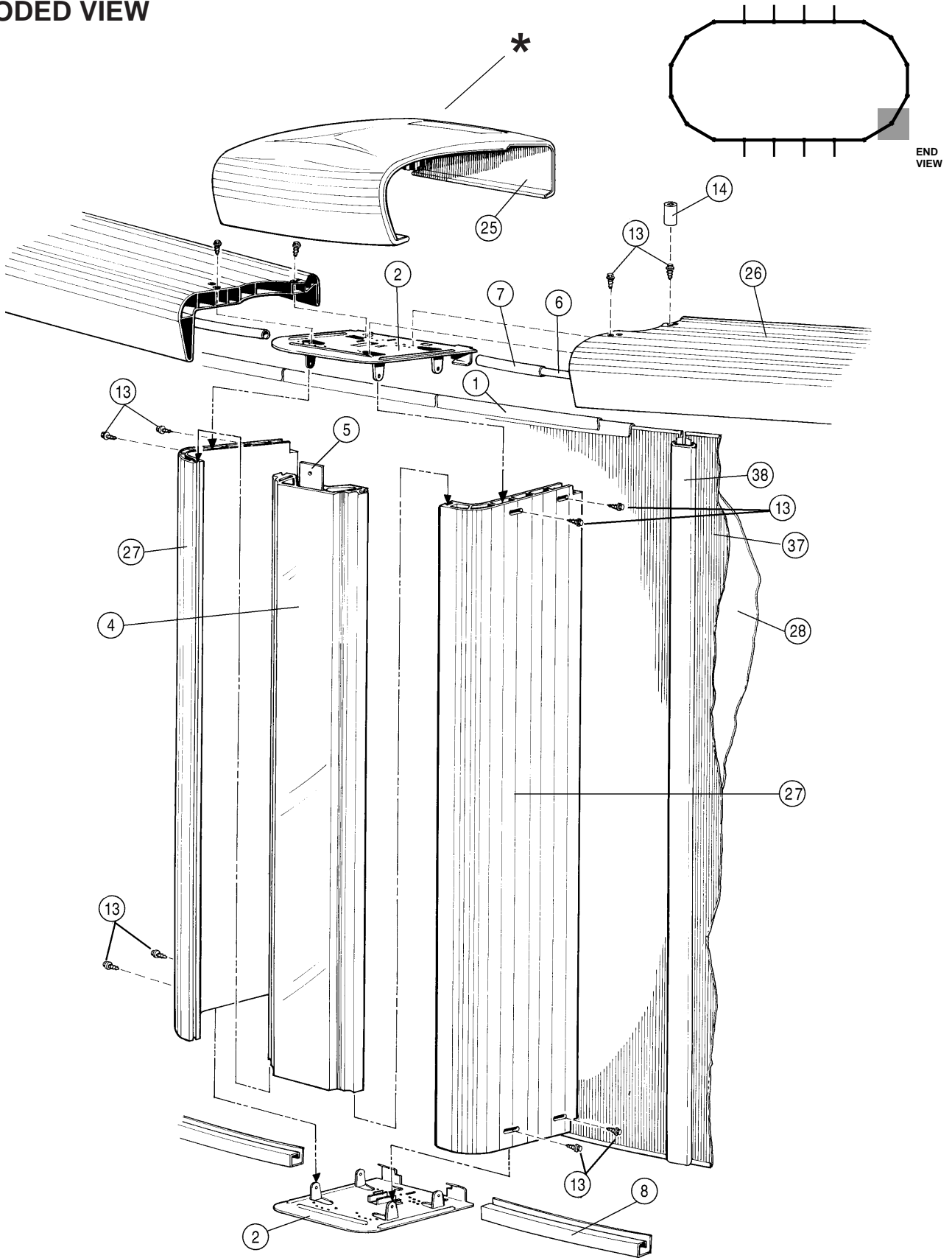
\*\*\* These stabilizer rails are for the ends only. P/N 583-1011 is used on the side.

\*\*\*\* Write the number of your liner in the spaces here and above. # \_\_\_\_\_

## Signature Series Oval Pool — Parts List

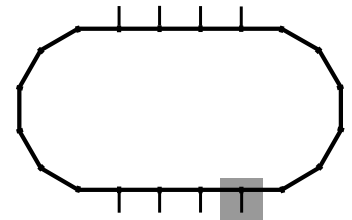
		24' x 12' x 48"		24' x 16' x 48"		28' x 16 x 48"		32' x 16' x 48"		34' x 18' x 48"		41' x 21' x 48"	
ITEM #	DESCRIPTION	PART#	QTY.	PART#	QTY.	PART#	QTY.	PART#	QTY.	PART#	QTY.	PART #	QTY.
	<b>SUPPORT PACK 2 - CARTON</b>	0-8888-062	1	————	—	0-8888-062	1	————	—	————	—	0-8888-062	1
	<b>SUPPORT PACK 4 - CARTON</b>	0-8888-064	1	0-8888-064	1	0-8888-064	1	0-8888-064	2	0-8888-064	2	0-8888-064	2
45.	Vertical Brace - Right	580-1837	6	580-1837	4	580-1837	6	580-1837	8	580-1837	8	580-1837	10
46.	Vertical Brace - Left	580-1839	6	580-1839	4	580-1839	6	580-1839	8	580-1839	8	580-1839	10
47.	Support Vertical	580-1849	6	580-1849	4	580-1849	6	580-1849	8	580-1849	8	580-1849	10
48.	Skid Support	580-1779	6	580-1779	4	580-1779	6	580-1779	8	580-1779	8	580-1779	10
49.	Ground Support - Top	580-1851	6	580-1851	4	580-1851	6	580-1851	8	580-1851	8	580-1851	10
50.	Ground Support - Bottom	580-1852	6	580-1852	4	580-1852	6	580-1852	8	580-1852	8	580-1852	10
51.	Vertical Spacer	341-1257	18	341-1257	12	341-1257	18	341-1257	24	341-1257	24	341-1257	30
52.	Pressure Pad - Outside	580-1869	6	580-1869	4	580-1869	6	580-1869	8	580-1869	8	580-1869	10
53.	Pressure Pad - Side Vertical	580-1870	6	580-1870	4	580-1870	6	580-1870	8	580-1870	8	580-1870	10
54.	Bottom Rail Locator	580-1792	6	580-1792	4	580-1792	6	580-1792	8	580-1792	8	580-1792	10
55.	Sheet Metal Screw #12x3/4"	510-1035	36	510-1035	24	510-1035	36	510-1035	48	510-1035	48	510-1035	60
56.	Hex Head Bolt 3/8-16x3-1/2"	330-1220	48	330-1220	32	330-1220	48	330-1220	64	330-1220	64	330-1220	80
57.	Hex Nut 3/8-16	321-1069	48	321-1069	32	321-1069	48	321-1069	64	321-1069	64	321-1069	80
58.	Hex Head Screw 1/4-20x1/2"	510-1018	24	510-1018	16	510-1018	24	510-1018	32	510-1018	32	510-1018	40
59.	Hex Nut 1/4x20	511-1000	24	511-1000	16	511-1000	24	511-1000	32	511-1000	32	511-1000	40
60.	Sheet Metal Screw #10x3/8"	510-1000	54	510-1000	36	510-1000	54	510-1000	72	510-1000	72	510-1000	90
61.	Side Vertical Shim	341-1274	12	341-1274	8	341-1274	12	341-1274	16	341-1274	16	341-1274	20

# EXPLODED VIEW

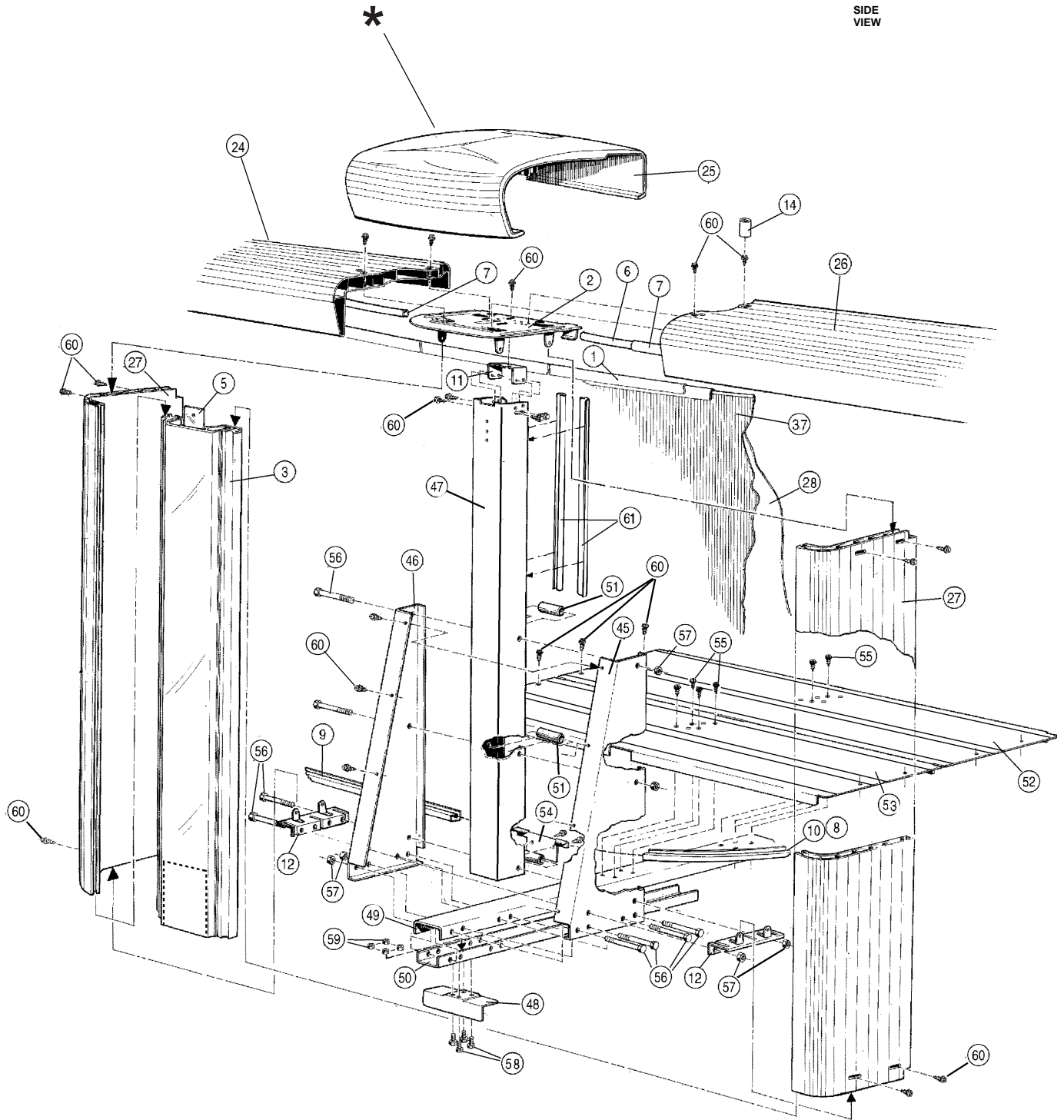


**\* CAUTION:** To prevent a potentially damaging heat rise condition from occurring under your pool's winter cover, do not leave your cover on your pool too long at the beginning of the swimming season, or install it too soon at the end of the season. Warping of pool parts due to excessive heat is not considered to be a manufacturer's defect under the terms of your warranty.

# EXPLODED VIEW



SIDE VIEW



**\* CAUTION:** To prevent a potentially damaging heat rise condition from occurring under your pool's winter cover, do not leave your cover on your pool too long at the beginning of the swimming season, or install it too soon at the end of the season. Warping of pool parts due to excessive heat is not considered to be a manufacturer's defect under the terms of your warranty.



**Important!** Above-ground pools are designed for swimming and wading only. **Do not Dive or Jump!** Misuse of your pool may result in crippling injury and/or other dangers to life and health. Do not use slides, diving boards, or any other platform or object which can be used for improper pool entry. Use only an above-ground swimming pool ladder to enter or exit your pool. It is the pool owner's responsibility to secure the pool against unauthorized, unsupervised or unintentional entry. It is also the pool owner's responsibility to warn all pool users of the hazards of diving into shallow water: paralyzing injury may result. Always obey all safety rules. Remember, pool safety is everybody's responsibility.

**Change of Design:** Doughboy Recreational expressly reserves the right to change or modify the design and construction of any product in due course of their manufacturing procedures, without incurring any obligation to furnish or install such changes or modifications on products previously or subsequently sold.



**DOUGHBOY RECREATIONAL • 10959 Jersey Blvd. • Rancho Cucamonga, CA 91730**  
Visit our website at [www.doughboy-pools.com](http://www.doughboy-pools.com)