



Blue Glacier

Round Pool

Parts List



Blue Glacier Round Pool — Parts List

ITEM #	DESCRIPTION	12' x 48"		16' x 48"		18' x 48"		21' x 48"		24' x 48"		28' x 48"	
		PART #	QTY.	PART #	QTY.	PART #	QTY.	PART #	QTY.	PART #	QTY.	PART #	QTY.
	ASSEMBLY PACK	0-9912-900	1	0-9916-900	1	0-9918-900	1	0-9921-900	1	0-9924-900	1	0-9928-900	1
1.	Plastic Coping, 24"	545-1001	22	545-1001	28	545-1001	30	545-1001	35	545-1001	40	545-1001	46
†2.	Connector Decor Strip	340-1780	11	340-1780	13	340-1780	15	340-1780	17	340-1780	19	340-1780	22
3.	Vertical End Cap	580-1587	20	580-1587	24	580-1587	28	580-1587	32	580-1587	36	580-1587	42
4.	Vertical Center Section	580-1583	10	580-1583	12	580-1583	14	580-1583	16	580-1583	18	580-1583	21
5.	Stabilizer Rail, small dia.	583-1012	6	583-1012	8	583-1012	9	583-1004	10	583-1004	11	583-1004	13
6.	Stabilizer Rail, large dia.	583-1011	6	583-1011	8	583-1011	9	583-1005	10	583-1005	11	583-1005	13
7.	Bottom Rail	589-1046	10	589-1047	12	589-1048	14	589-1049	16	589-1050	18	589-1051	21
8.	Top Connector	5186-1192	10	5186-1192	12	5186-1192	14	5186-1192	16	5186-1192	18	5186-1192	21
9.	Connector Skirt	580-1591	10	580-1591	12	580-1591	14	580-1591	16	580-1591	18	580-1591	21
*10.	Sheet Metal#10 x 3/8" Lg. Hex Washer Hd. Screw	510-1000	130	510-1000	156	510-1000	182	510-1000	208	510-1000	234	510-1000	273
11.	Pool Parts List	573-2963	1	573-2963	1	573-2963	1	573-2963	1	573-2963	1	573-2963	1
12.	Pool Installation Instructions	573-2947	1	573-2947	1	573-2947	1	573-2947	1	573-2947	1	573-2947	1
13.	"Read Me First" Booklet	573-2777	1	573-2777	1	573-2777	1	573-2777	1	573-2777	1	573-2777	1
14.	"Enjoy Your Pool" Booklet	573-2743	1	573-2743	1	573-2743	1	573-2743	1	573-2743	1	573-2743	1
15.	"Safety First" Booklet	573-2778	1	573-2778	1	573-2778	1	573-2778	1	573-2778	1	573-2778	1
16.	"Children Aren't . . ." Brochure	573-2338	1	573-2338	1	573-2338	1	573-2338	1	573-2338	1	573-2338	1
17.	"Pool & Spa . . ." Brochure	573-2393	1	573-2393	1	573-2393	1	573-2393	1	573-2393	1	573-2393	1
18.	Warranty Card - Metal	—	1	—	1	—	1	—	1	—	1	—	1
19.	Product Registration Card	565-1117	1	565-1117	1	565-1117	1	565-1117	1	565-1117	1	565-1117	1
	TOP RAIL PACK	0-9801-900	1	0-9812-900	1	0-9814-900	1	0-9816-900	1	0-9809-900	2	0-9809-900	1
20.	Top Rail	587-1188	10	587-1189	12	587-1189	14	587-1189	16	587-1189	18	587-1189	21
	VERTICAL PACK	0-9710-900	1	0-9712-900	1	0-9714-900	1	0-9716-900	1	0-9718-900	1	0-9721-900	1
21.	Vertical Side Section	580-1585	20	580-1585	24	580-1585	28	580-1585	32	580-1585	36	580-1585	42
	POOL LINER CARTON												
***22.	Pool Liner —	0-1248-___	1	0-1648-___	1	0-1848-___	1	0-2148-___	1	0-2448-___	1	0-2848-___	1
23.	Chlorine/Winterizing Instructions	573-2421	1	573-2421	1	573-2421	1	573-2421	1	573-2421	1	573-2421	1
24.	Installation Instruction Insert	369-1145	1	369-1145	1	369-1145	1	369-1145	1	369-1145	1	369-1145	1
25.	"Warning" Decal	560-1041	3	560-1041	3	560-1041	3	560-1041	3	560-1041	3	560-1041	3
26.	Warranty Card - Liner	—	1	—	1	—	1	—	1	—	1	—	1
**27.	Repair Patch	564-1000	1	564-1000	1	564-1000	1	564-1000	1	564-1000	1	564-1000	1
28.	"Deeper Area" Decal	560-1042	2	560-1042	2	560-1042	2	560-1042	2	560-1042	2	560-1042	2
29.	"Shallow" Decal	560-1043	3	560-1043	3	560-1043	3	560-1043	3	560-1043	3	560-1043	3
30.	"Read Me First" Booklet	573-2777	1	573-2777	1	573-2777	1	573-2777	1	573-2777	1	573-2777	1
	SIDEWALL CARTON												
31.	Sidewall	0-0808-012	1	0-0808-016	1	0-0808-018	1	0-0808-021	1	0-0808-024	1	0-0808-028	1
32.	Joint Piece	580-1002	1	580-1002	1	580-1002	1	580-1002	1	580-1002	1	580-1002	1
33.	Large Cover Plate	—	—	—	—	—	—	—	—	—	—	580-1900	1
34.	Small Cover Plate	—	—	—	—	—	—	—	—	—	—	580-1899	1
35.	"Warning" Sign	560-1046	1	560-1046	1	560-1046	1	560-1046	1	560-1046	1	560-1046	1
36.	"Read Me First" Booklet	573-2777	1	573-2777	1	573-2777	1	573-2777	1	573-2777	1	573-2777	1
37.	Adhesive Squares	310-1034	6	310-1034	6	310-1034	6	310-1034	6	310-1034	6	310-1034	6
38.	Safety Video	573-2500	1	573-2500	1	573-2500	1	573-2500	1	573-2500	1	573-2500	1

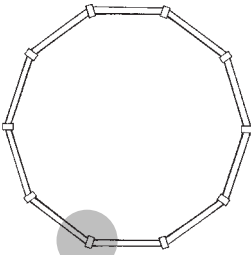
*Screws are available in most hardware stores.

**For additional patch kits order Part No. 0-5604-000.

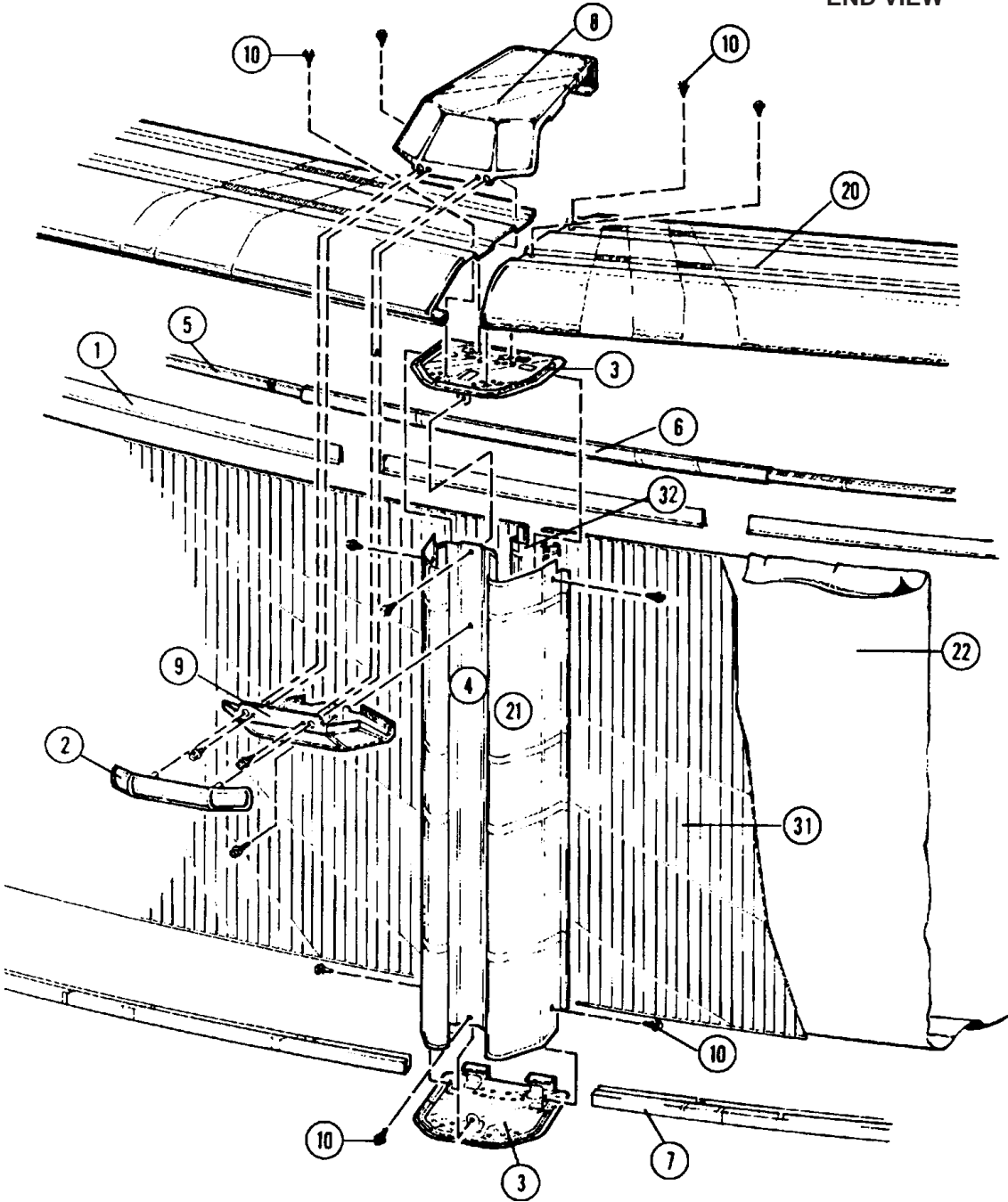
***If you have received a liner other than the one listed above, write the number of your liner in the space provided. # _____.

† One extra decor strip is provided.

EXPLODED VIEW



END VIEW





Important! Above-ground pools are designed for swimming and wading only. **Do not Dive or Jump!** Misuse of your pool may result in crippling injury and/or other dangers to life and health. Do not use slides, diving boards, or any other platform or object which can be used for improper pool entry. Use only an above-ground swimming pool ladder to enter or exit your pool. It is the pool owner's responsibility to secure the pool against unauthorized, unsupervised or unintentional entry. It is also the pool owner's responsibility to warn all pool users of the hazards of diving into shallow water: paralyzing injury may result. Always obey all safety rules. Remember, pool safety is everybody's responsibility.

Change of Design: Doughboy Recreational expressly reserves the right to change or modify the design and construction of any product in due course of their manufacturing procedures, without incurring any obligation to furnish or install such changes or modifications on products previously or subsequently sold.



DOUGHBOY RECREATIONAL • 10959 Jersey Blvd. • Rancho Cucamonga, CA 91730
Visit our website at www.doughboy-pools.com