



Adobe Canyon III

Round Pool

Parts List



Adobe Canyon III Round Pool — Parts List

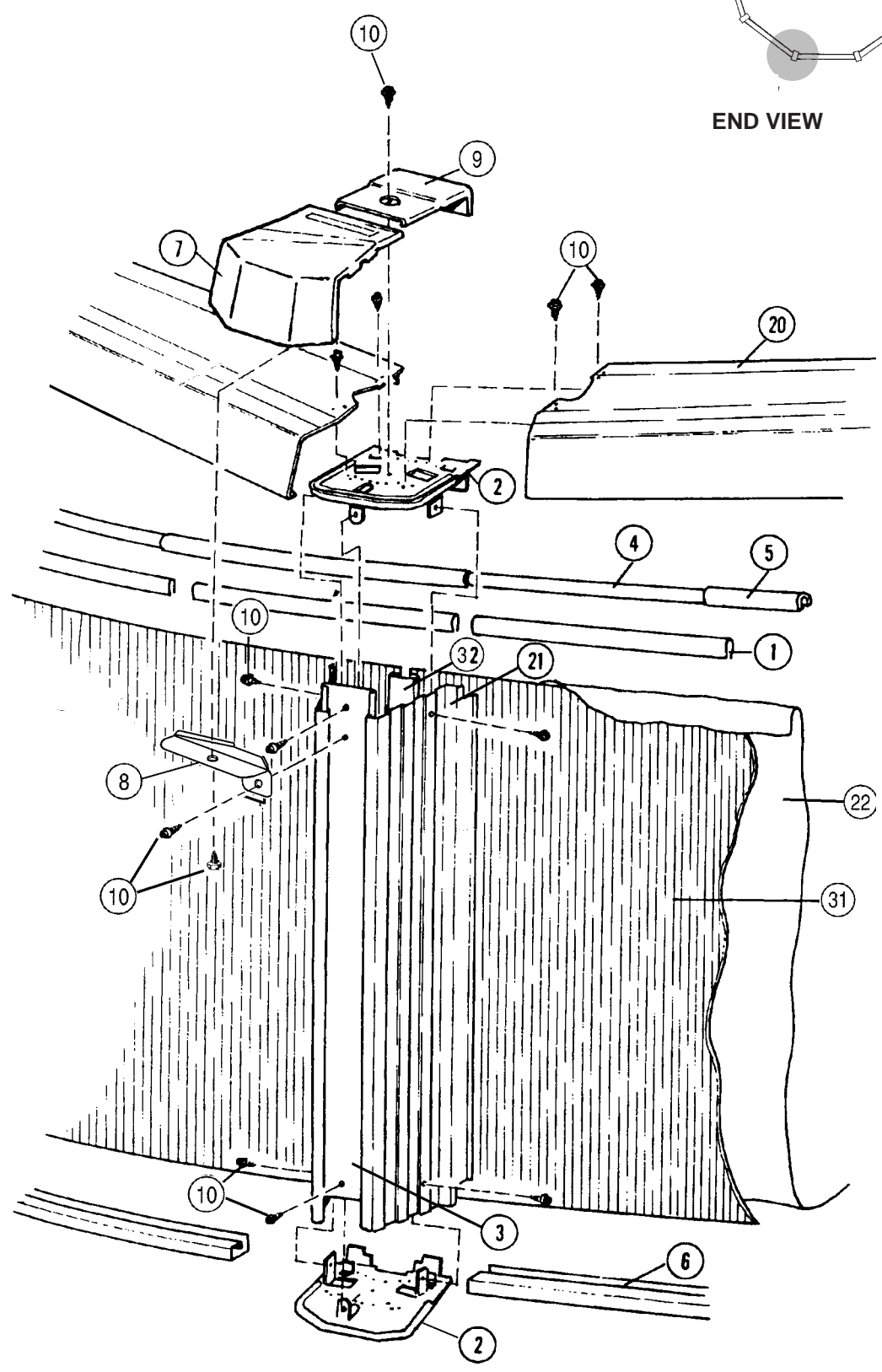
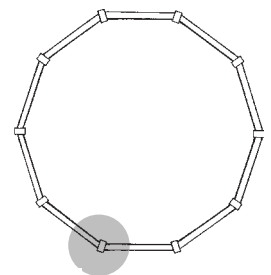
ITEM #	DESCRIPTION	12' x 48"		16' x 48"		18' x 48"		21' x 48"		24' x 48"		28' x 48"	
		PART #	QTY.	PART #	QTY.	PART #	QTY.	PART #	QTY.	PART #	QTY.	PART #	QTY.
	ASSEMBLY PACK	0-9912-709	1	0-9916-709	1	0-9918-709	1	0-9921-709	1	0-9924-709	1	0-9928-709	1
1.	Plastic Coping, 24"	545-1001	22	545-1001	28	545-1001	30	545-1001	35	545-1001	40	545-1001	46
2.	Vertical End Cap	580-1619	20	580-1619	24	580-1619	28	580-1619	32	580-1619	36	580-1619	42
3.	Vertical Center Section	580-1988	10	580-1988	12	580-1988	14	580-1988	16	580-1988	18	580-1988	21
4.	Stabilizer Rail, small dia.	583-1012	6	583-1012	8	583-1012	9	583-1004	10	583-1004	11	583-1004	13
5.	Stabilizer Rail, large dia.	583-1011	6	583-1011	8	583-1011	9	583-1005	10	583-1005	11	583-1005	13
6.	Bottom Rail	589-1046	10	589-1047	12	589-1048	14	589-1049	16	589-1050	18	589-1051	21
7.	7" Outer Connector	580-1919	10	580-1919	12	580-1919	14	580-1919	16	580-1919	18	580-1919	21
8.	7" Skirt	580-1989	10	580-1989	12	580-1989	14	580-1989	16	580-1989	18	580-1989	21
9.	Inner Connector	5186-1187	10	5186-1187	12	5186-1187	14	5186-1187	16	5186-1187	18	5186-1187	21
*10.	Sheet Metal Screw #10x3/8" Type AB	510-1000	130	510-1000	156	510-1000	182	510-1000	208	510-1000	234	510-1000	273
11.	Pool Parts List	573-2946	1	573-2946	1	573-2946	1	573-2946	1	573-2946	1	573-2946	1
12.	Pool Installation Instructions	573-2947	1	573-2947	1	573-2947	1	573-2947	1	573-2947	1	573-2947	1
13.	"Read Me First" Booklet	573-2777	1	573-2777	1	573-2777	1	573-2777	1	573-2777	1	573-2777	1
14.	"Enjoy Your Pool" Booklet	573-2743	1	573-2743	1	573-2743	1	573-2743	1	573-2743	1	573-2743	1
15.	"Safety First" Booklet	573-2778	1	573-2778	1	573-2778	1	573-2778	1	573-2778	1	573-2778	1
16.	"Children Aren't . . ." Brochure	573-2338	1	573-2338	1	573-2338	1	573-2338	1	573-2338	1	573-2338	1
17.	"Pool & Spa . . ." Brochure	573-2393	1	573-2393	1	573-2393	1	573-2393	1	573-2393	1	573-2393	1
18.	Warranty Card - Metal	—	1	—	1	—	1	—	1	—	1	—	1
19.	Product Registration Card	565-1117	1	565-1117	1	565-1117	1	565-1117	1	565-1117	1	565-1117	1
	TOP RAIL PACK	0-9801-705	1	0-9812-705	1	0-9814-705	1	0-9816-705	1	0-9818-705	1	0-9821-705	1
20.	Top Rail	587-1347	10	587-1348	12	587-1348	14	587-1348	16	587-1348	18	587-1348	21
	VERTICAL PACK	0-9710-702	1	0-9712-702	1	0-9714-702	1	0-9716-702	1	0-9718-702	1	0-9721-702	1
21.	Vertical Side Section	580-1669	20	580-1669	24	580-1669	28	580-1669	32	580-1669	36	580-1669	42
	POOL LINER CARTON	0-1248-___	1	0-1648-___	1	0-1848-___	1	0-2148-___	1	0-2448-___	1	0-2848-___	1
***22.	Pool Liner	0-1248-___	1	0-1648-___	1	0-1848-___	1	0-2148-___	1	0-2448-___	1	0-2848-___	1
23.	Chlorine/Winterizing Instructions	573-2421	1	573-2421	1	573-2421	1	573-2421	1	573-2421	1	573-2421	1
24.	Installation Instruction Insert	369-1145	1	369-1145	1	369-1145	1	369-1145	1	369-1145	1	369-1145	1
25.	"Warning" Decal	560-1041	3	560-1041	3	560-1041	3	560-1041	3	560-1041	3	560-1041	3
26.	Warranty Card - Liner	—	1	—	1	—	1	—	1	—	1	—	1
**27.	Repair Patch	564-1000	1	564-1000	1	564-1000	1	564-1000	1	564-1000	1	564-1000	1
28.	"Deeper Area" Decal	560-1042	2	560-1042	2	560-1042	2	560-1042	2	560-1042	2	560-1042	2
29.	"Shallow" Decal	560-1043	3	560-1043	3	560-1043	3	560-1043	3	560-1043	3	560-1043	3
30.	"Read Me First" Booklet	573-2777	1	573-2777	1	573-2777	1	573-2777	1	573-2777	1	573-2777	1
	SIDEWALL CARTON	0-0708-012	1	0-0708-016	1	0-0708-018	1	0-0708-021	1	0-0708-024	1	0-0708-028	1
31.	Sidewall	0-0708-012	1	0-0708-016	1	0-0708-018	1	0-0708-021	1	0-0708-024	1	0-0708-028	1
32.	Joint Piece	580-1002	1	580-1002	1	580-1002	1	580-1002	1	580-1002	1	580-1002	1
33.	Large Cover Plate	—	—	—	—	—	—	—	—	—	—	580-1898	1
34.	Small Cover Plate	—	—	—	—	—	—	—	—	—	—	580-1897	1
35.	"Warning" Sign	560-1046	1	560-1046	1	560-1046	1	560-1046	1	560-1046	1	560-1046	1
36.	"Read Me First" Booklet	573-2777	1	573-2777	1	573-2777	1	573-2777	1	573-2777	1	573-2777	1
37.	Adhesive Squares	310-1034	6	310-1034	6	310-1034	6	310-1034	6	310-1034	6	310-1034	6
38.	Safety Video	573-2500	1	573-2500	1	573-2500	1	573-2500	1	573-2500	1	573-2500	1

*Screws are available in most hardware stores.

**For additional patch kits order Part No. 0-5604-000.

***Write the number of your liner in the spaces provided here and above. #_____.

EXPLODED VIEW





Important! Above-ground pools are designed for swimming and wading only. **Do not Dive or Jump!** Misuse of your pool may result in crippling injury and/or other dangers to life and health. Do not use slides, diving boards, or any other platform or object which can be used for improper pool entry. Use only an above-ground swimming pool ladder to enter or exit your pool. It is the pool owner's responsibility to secure the pool against unauthorized, unsupervised or unintentional entry. It is also the pool owner's responsibility to warn all pool users of the hazards of diving into shallow water: paralyzing injury may result. Always obey all safety rules. Remember, pool safety is everybody's responsibility.

Change of Design: Doughboy Recreational expressly reserves the right to change or modify the design and construction of any product in due course of their manufacturing procedures, without incurring any obligation to furnish or install such changes or modifications on products previously or subsequently sold.

"the original portable pool"
doughboy[®]

DOUGHBOY RECREATIONAL • 10959 Jersey Blvd. • Rancho Cucamonga, CA 91730
 Visit our website at www.doughboy-pools.com