

# Lomart

## Royal Legacy — 8" Series

Oval Pools

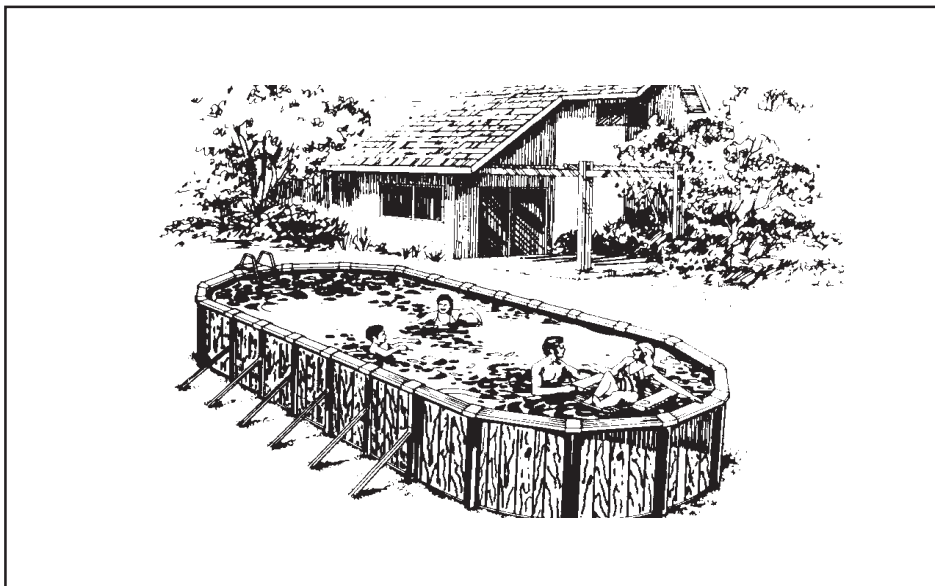
---

---

### Parts List

---

---



# Lomart Parts List (Oval)

			15' x 24' x 52"	15' x 30' x 52"	18' x 33' x 52"	18' x 36' x 52"
ITEM	DESCRIPTION	PART NO.	QTY.	QTY.	QTY.	QTY.
	<b>STEEL PACK "A" CARTON</b>	1-1500-901-753	—	1	—	—
	<b>STEEL PACK "A" CARTON</b>	1-1800-901-753	—	—	1	1
	<b>STEEL PACK "A" CARTON</b>	1-1524-901-753	1	—	—	—
	<b>STEEL PACK "B" CARTON</b>	1-1530-902-753	—	1	—	—
	<b>STEEL PACK "B" CARTON</b>	1-1833-902-753	—	—	1	—
	<b>STEEL PACK "B" CARTON</b>	1-1836-902-753	—	—	—	1
1.	Top Rail	587-1375	10	10	12	12
2.	Top Rail - Side	587-1406	8	12	12	14
3.	Stabilizer Rail (Large)	583-1011	9	9	11	11
4.	Stabilizer Rail (Small)	583-1012	9	9	11	11
5.	Vertical Center Section	580-1935	12	12	14	14
6.	Vertical End Cap	580-1825	24	24	28	28
7.	Side Vertical Top Cap	580-1907	6	10	10	12
8.	Top Connector	5188-0073	18	22	24	26
9.	Coping	545-1001	35	41	46	49
10.	Bottom Rail	589-1134	10	10	—	—
	Bottom Rail	589-1136	—	—	12	12
11.	Bottom Rail - Apex	589-1216	4	4	4	4
12.	Hold Down Plate	580-1976	4	8	8	10
13.	Side Stabilizer Rail	583-1063	4	8	8	10
14.	Bottom Rail Locator	580-1354	4	4	4	4
15.	#10 x 3/8" Screw	510-1000	145	160	180	190
16.	Book - "Read Me First"	573-2777	1	1	1	1
17.	Book - "Safety First"	573-2778	1	1	1	1
18.	Book - "Sensible Way. . ."	573-2743	1	1	1	1
19.	Brochure - "Children Aren't. . ."	573-2338	1	1	1	1
20.	Brochure - "Pool and Spa. . ."	573-2393	1	1	1	1
21.	Product Registration Card	565-1121	1	1	1	1
22.	Assembly/Installation Instructions	573-2965	1	1	1	1
23.	Warranty Card - Metal	573-2930	1	1	1	1
24.	Pool Parts List	573-2966	1	1	1	1
25.	Tension Strap - 15 Ft.	580-1349	3	5	—	—
	Tension Strap - 18 Ft.	580-1350	—	—	5	6
26.	Connector Bracket	580-1906	6	10	10	12
27.	Stabilizer Bracket	580-1942	6	10	10	12
	<b>VERTICAL PACK</b>	1-1501-904-703	1	1	—	—
	<b>VERTICAL PACK</b>	1-1801-904-703	—	—	1	1
28.	Vertical Side Section	580-1936	24	24	28	28

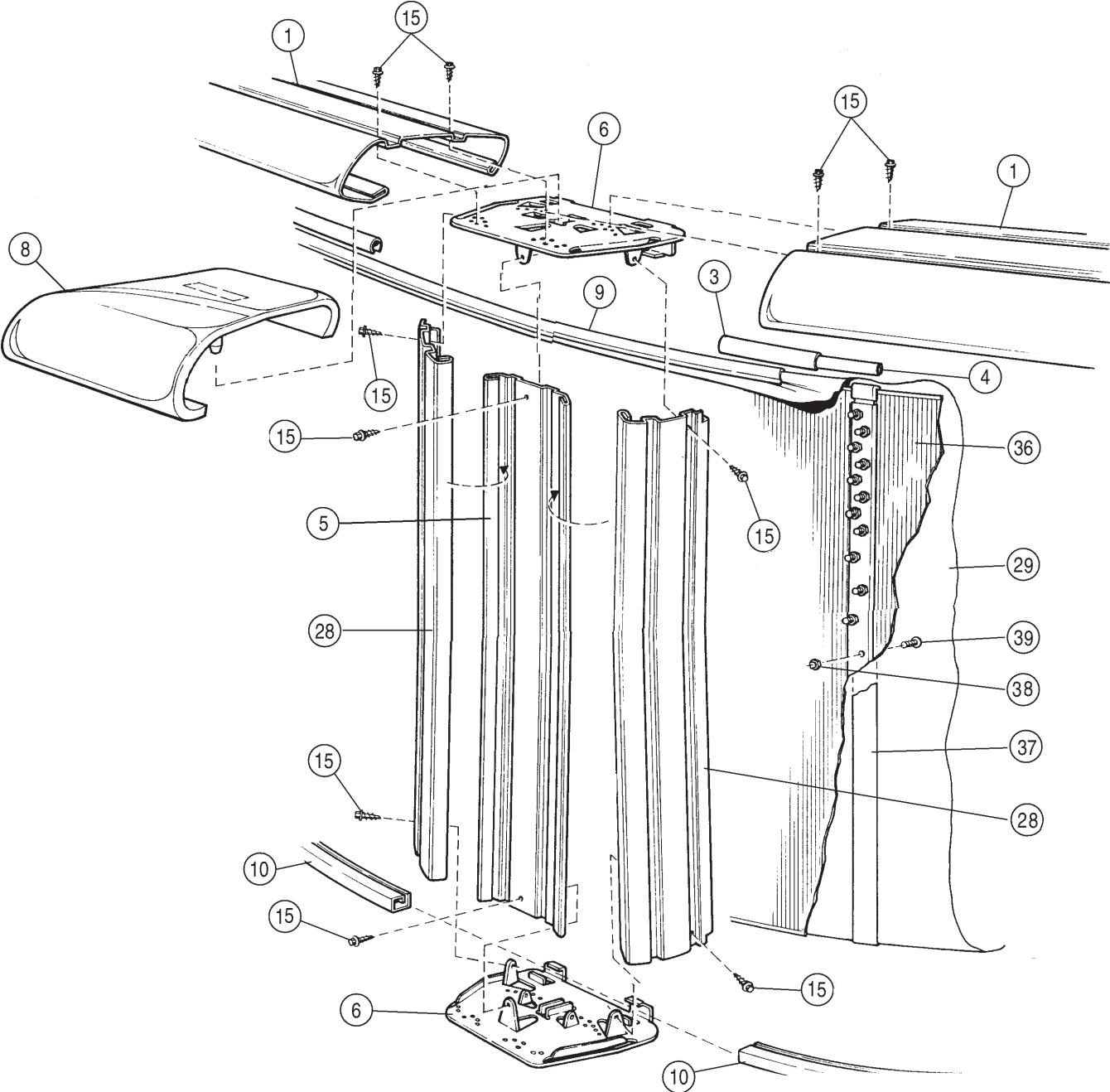
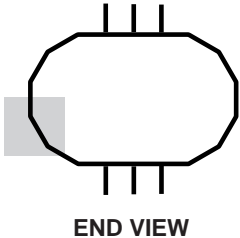
# Lomart Parts List (Oval)

			15' x 24' x 52"	15' x 30' x 52"	18' x 33' x 52"	18' x 36' x 52"
ITEM	DESCRIPTION	PART NO.	QTY.	QTY.	QTY.	QTY.
<b>VINYL LINER CARTON</b>						
**29.	Premium Liner (15' x 24' x 52")	1-1524-_____	1	—	—	—
	Premium Liner (15' x 30' x 52")	1-1530-_____	—	1	—	—
	Premium Liner (18' x 33' x 52")	1-1833-_____	—	—	1	—
	Premium Liner (18' x 36' x 52")	1-1836-_____	—	—	—	1
30.	Chlorine/Winterizing Instructions	573-2421	1	1	1	1
31.	Warranty Card	—	1	1	1	1
*32.	Repair Patch	564-1000	1	1	1	1
33.	Warning Decals	560-1041	3	3	3	3
34.	Decal - Shallow 3-3/4 Ft.	560-1056	3	3	3	3
34A.	Shallow Decal Insert Sheet	369-1216	1	1	1	1
35.	Book - "Read Me First"	573-2777	1	1	1	1
<b>SIDEWALL CARTON</b>						
36.	Royal Legacy	1-1524-906-028	1	—	—	—
	Royal Legacy	1-1530-906-028	—	1	—	—
	Royal Legacy	1-1833-906-028	—	—	1	—
	Royal Legacy	1-1836-906-028	—	—	—	2
37.	Wall Protective Strip	535-1442	1	1	1	2
38.	1/4" - 20 Hex Nut	511-1000	27	27	27	54
39.	1/4" - 20 x 1" Slotted Screw	330-1151	27	27	27	54
40.	Cover Plate Skimmer (not shown)	580-1977	—	—	—	2
41.	Cover Plate - Return (not shown)	580-1978	—	—	—	2
42.	Warning Sign	560-1055	1	1	1	2
43.	Book - "Read Me First"	573-2777	1	1	1	2
44.	Adhesive Square	310-1034	6	6	6	12
45.	Safety Video	573-2507	1	1	1	2
	<b>SUPPORT PACK 4</b>	1-0804-907	—	1	1	—
	<b>SUPPORT PACK 6</b>	1-0806-907	1	1	1	2
46.	Buttress Vertical	580-1972	6	10	10	12
47.	Buttress Diagonal	580-1973	6	10	10	12
48.	Vertical Yoke	580-1352	6	10	10	12
49.	Outside Tension Strap	580-1974	6	10	10	12
50.	Diagonal Cap	340-1493	6	10	10	12
51.	5/16" - 18 x 2-3/4" Bolt	330-1110	30	50	50	60
52.	5/16" - 18 Hex Nut	321-1031	42	70	70	84
53.	5/16" Washer	326-1019	42	70	70	84
54.	1/4" - 20 x 1/2" Machine Screw	330-1072	36	60	60	72
55.	1/4" - 20 Hex Nut	511-1000	36	60	60	72
56.	5/16" - 18 x 1-1/4" Screw	330-1109	12	20	20	24
57.	#10 x 3/8" Sheet Metal Screw	510-1000	6	10	10	12

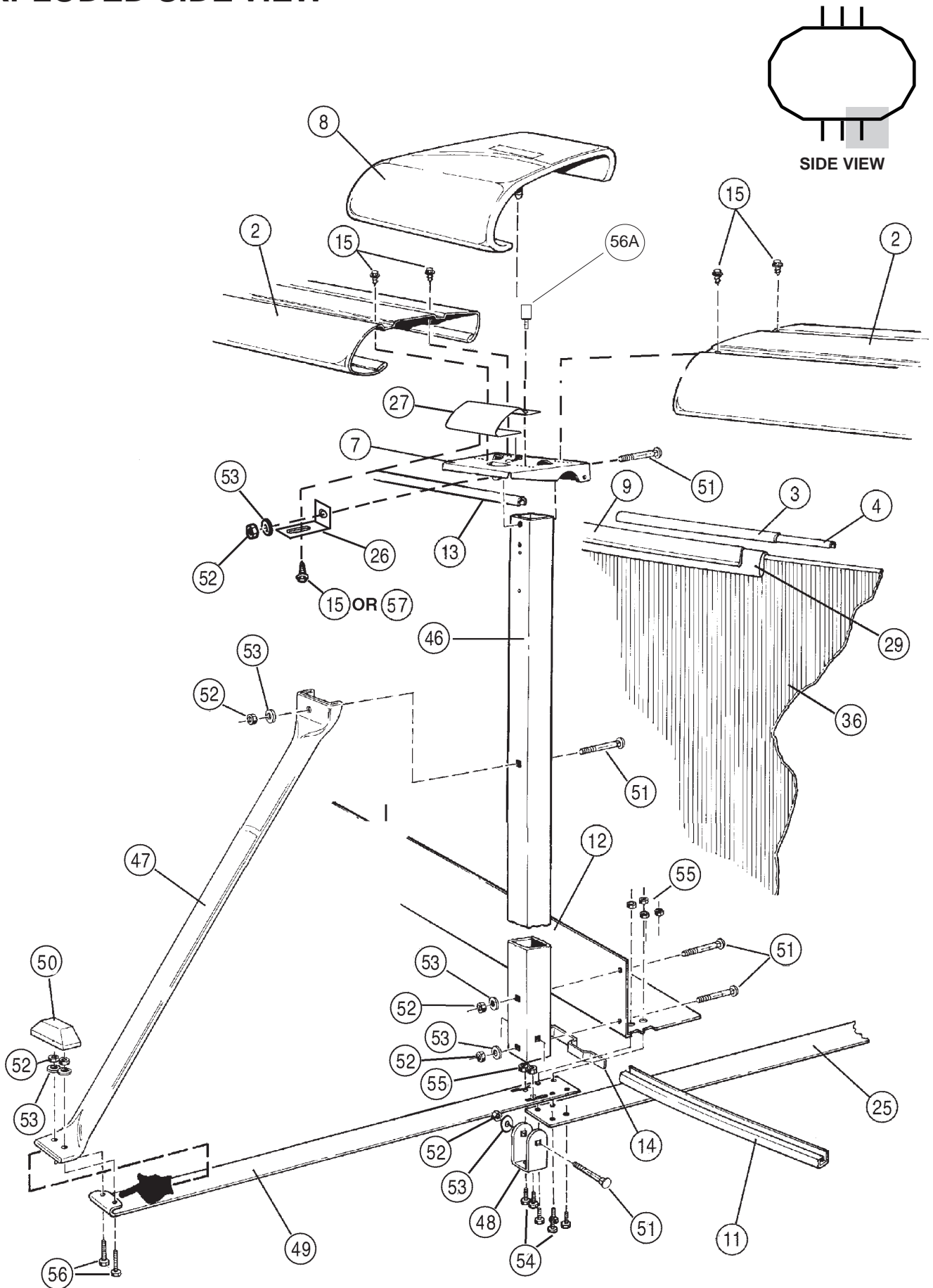
\* For additional Patch Kits, order part number 1-2002-006.

\*\* Write the number of your liner in the spaces provided here and above. #\_\_\_\_\_.

# EXPLODED END VIEW



# EXPLODED SIDE VIEW





**Important!** Above-ground pools are designed for swimming and wading only. **Do not Dive or Jump!** Misuse of your pool may result in crippling injury and/or other dangers to life and health. Do not use slides, diving boards, or any other platform or object which can be used for improper pool entry. Use only an above-ground swimming pool ladder to enter or exit your pool. It is the pool owner's responsibility to secure the pool against unauthorized, unsupervised or unintentional entry. It is also the pool owner's responsibility to warn all pool users of the hazards of diving into shallow water: paralyzing injury may result. Always obey all safety rules. Remember, pool safety is everybody's responsibility.

**Change of Design:** Lomart Industries expressly reserves the right to change or modify the design and construction of any product in due course of our manufacturing procedures, without incurring any obligation or liability to furnish or install such changes or modifications on products previously or subsequently sold.

**LOMART INDUSTRIES**  
10959 Jersey Blvd. • Rancho Cucamonga, CA 91730  
Visit our website at [www.lomart.com](http://www.lomart.com)