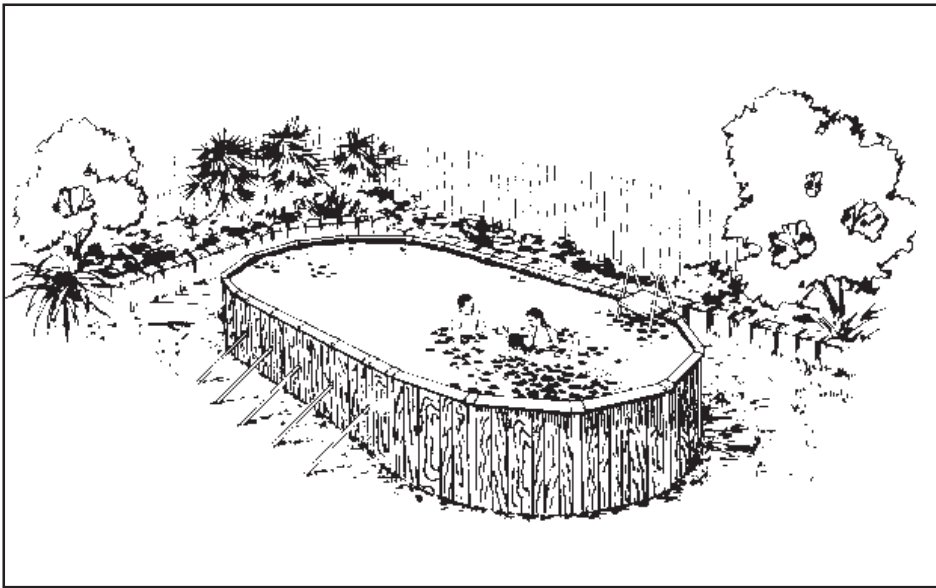


Lomart

Blue Galaxy — 6" Series

Oval Pools

Parts List



LOMART PARTS LIST (OVAL)

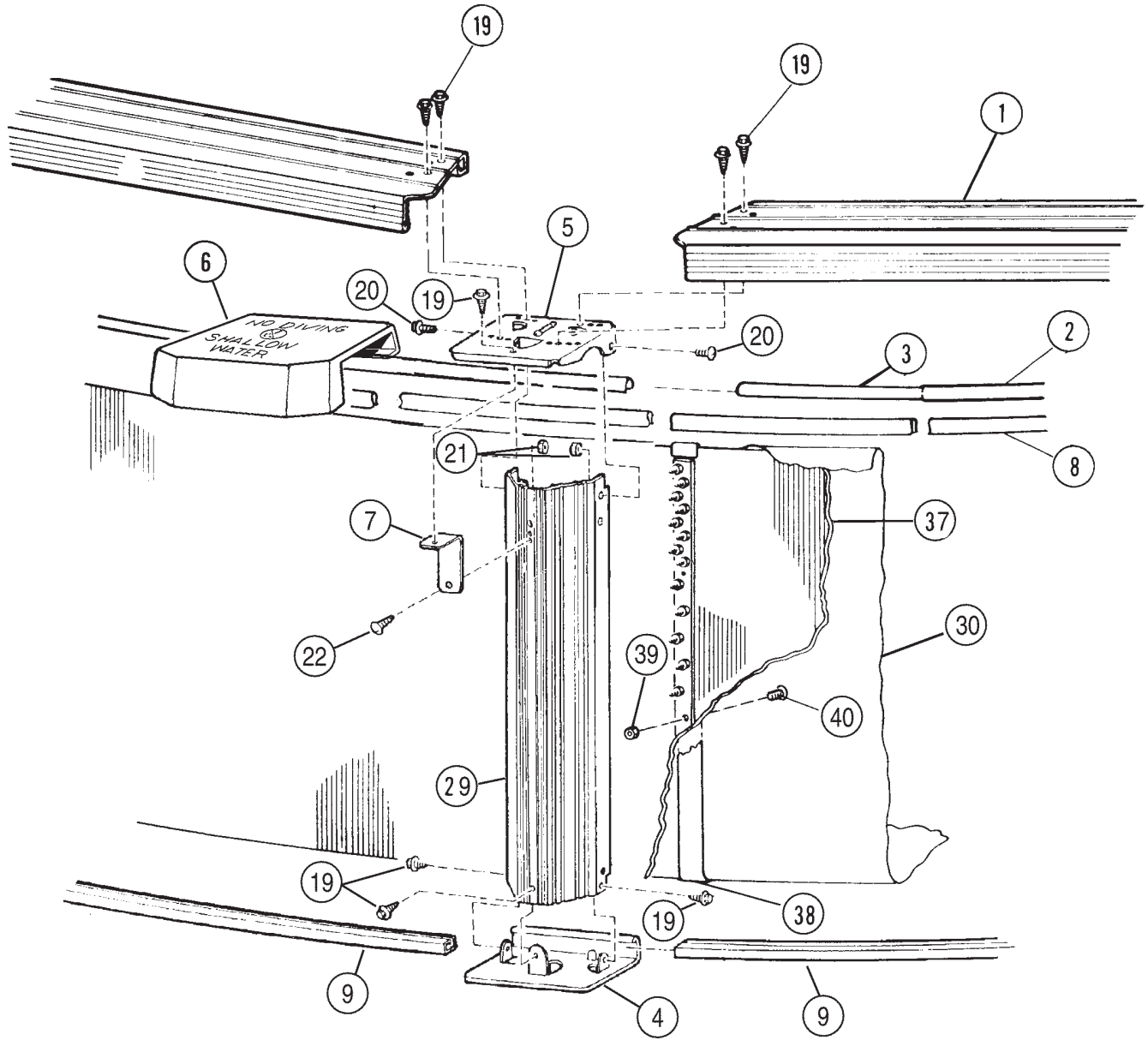
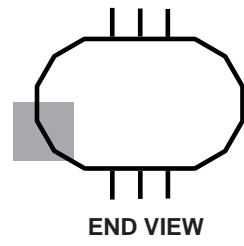
			15' x 24' x 52"	15' x 30' x 52"	18' x 33' x 52"
ITEM	DESCRIPTION	PART NO.	QTY.	QTY.	QTY.
	STEEL PACK "A" CARTON	1-1524-901-552	1	—	—
	STEEL PACK "A" CARTON	1-1530-901-552	—	1	—
	STEEL PACK "A" CARTON	1-1833-901-552	—	—	1
1.	Top Rail	587-1102	10	10	12
2.	Stabilizer Rail (Large)	583-1011	9	9	11
3.	Stabilizer Rail (Small)	583-1012	9	9	11
4.	Bottom Connector	580-1343	12	12	14
5.	Vertical Top Cap	580-1907	18	22	24
6.	Top Connector	340-2170	18	22	24
7.	Vertical Tab	580-1460	12	12	14
8.	Coping	545-1001	35	41	46
9.	Bottom Rail - 15 ft.	589-1134	10	10	—
	Bottom Rail - 18 ft.	589-1136	—	—	12
10.	Assembly/Installation Instructions	573-2965	1	1	1
11.	Warranty Card	—	1	1	1
12.	Product Registration Card	565-1121	1	1	1
13.	Pool Parts List	573-2967	1	1	1
14.	Book - "Sensible Way. . ."	573-2743	1	1	1
15.	Book - "Safety First"	573-2778	1	1	1
16.	Brochure - "Children Aren't Waterproof"	573-2338	1	1	1
17.	Brochure - "Pool and Spa. . ."	573-2393	1	1	1
18.	Book - "Read Me First"	573-2777	1	1	1
19.	#10 x 3/8" Sheet Metal Screw	510-1000	120	136	152
20.	1/4-20 x 1/2" Mach. Screw	330-1072	24	24	28
21.	1/4-20 Kep Nut	432-1000	24	24	28
22.	#14 x 1/2" Screw	330-1075	12	12	14
23.	Buttress Top Rail	587-1405	8	12	12
24.	Bottom Rail - Apex	589-1216	4	4	4
25.	Hold Down Plate	580-1976	4	8	8
26.	Stabilizer Rail - Side	583-1063	4	8	8
27.	Bottom Rail Locator	580-1354	4	4	4
28.	Tension Strap - 15 Foot	580-1349	3	5	—
	Tension Strap - 18 Foot	580-1350	—	—	5
	VERTICAL PACK	1-1501-904-502	1	1	—
	VERTICAL PACK	1-1801-904-502	—	—	1
29.	Vertical	580-1953	12	12	14
	VINYL LINER CARTON				
**30.	Liner 15' x 24'	1-1524-__	1	—	—
	Liner 15' x 30'	1-1530-__	—	1	—
	Liner 18' x 33'	1-1833-__	—	—	1
31.	Chlorine/Winterizing Instructions	573-2421	1	1	1
32.	Warranty Card	—	1	1	1
*33.	Repair Patch - Vinyl	564-1000	1	1	1
34.	Warning Decal	560-1041	3	3	3
35.	Decal - Shallow, 3-3/4 Ft.	560-1056	3	3	3
35A.	Shallow Decal Insert Sheet	369-1216	1	1	1
36.	Book - "Read Me First"	573-2777	1	1	1

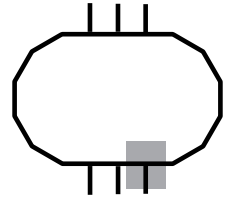
* For Additional Patch Kits, order part number 1-2002-006.

**Write the number of your liner in the spaces provided here and above. # _____.

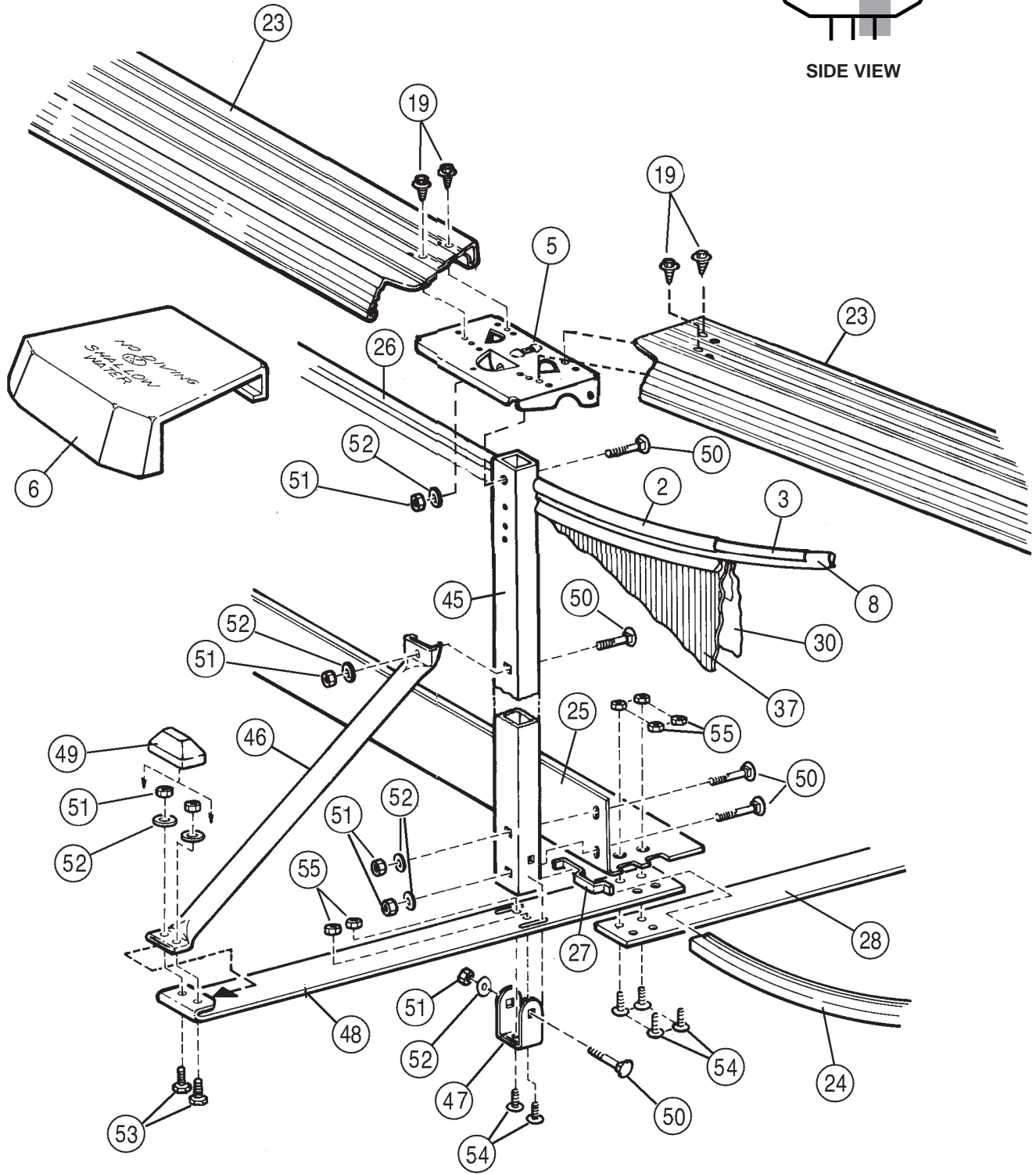
LOMART PARTS LIST (OVAL) Continued

			15' x 24' x 52"	15' x 30' x 52"	18' x 33' x 52"
ITEM	DESCRIPTION	PART NO.	QTY.	QTY.	QTY.
	SIDEWALL CARTON				
37.	Blue Galaxy - (15' x 24' x 52")	1-1524-906-028	1	—	—
	Blue Galaxy - (15' x 30' x 52")	1-1530-906-028	—	1	—
	Blue Galaxy - (18' x 33' x 52")	1-1833-906-028	—	—	1
38.	Wall Protective Strip	535-1442	1	1	1
39.	1/4" x 20 Hex Nut	511-1000	27	27	27
40.	1/4" - 20 x 1" Slotted Screw	330-1151	27	27	27
41.	Warning Sign	560-1055	1	1	1
42.	Book - "Read Me First"	573-2777	1	1	1
43.	Adhesive Squares	310-1034	6	6	6
44.	Safety Video	573-2507	1	1	1
	SUPPORT PACK - 4	1-0804-907	—	1	1
	SUPPORT PACK - 6	1-0806-907	1	1	1
45.	Buttress Vertical	580-1972	6	10	10
46.	Buttress Diagonal	580-1973	6	10	10
47.	Vertical Yoke	580-1352	6	10	10
48.	Outside Tension Strap	580-1974	6	10	10
49.	Diagonal Cap	340-1493	6	10	10
50.	5/16 - 18 x 2-3/4" Carriage Bolt	330-1110	30	50	50
51.	5/16 - 18 Hex Nut	321-1031	42	70	70
52.	5/16" Washer	326-1019	42	70	70
53.	5/16 - 18 x 1-1/4" Hex Head Bolt	330-1109	12	20	20
54.	1/4 - 20 x 1/2" Machine Screw	330-1072	36	60	60
55.	1/4-20 Hex Nut	511-1000	36	60	60
56.	#10 x 3/8" Sheet Metal Screw	510-1000	6	10	10





SIDE VIEW





Important! Above-ground pools are designed for swimming and wading only. **Do not Dive or Jump!** Misuse of your pool may result in crippling injury and/or other dangers to life and health. Do not use slides, diving boards, or any other platform or object which can be used for improper pool entry. Use only an above-ground swimming pool ladder to enter or exit your pool. It is the pool owner's responsibility to secure the pool against unauthorized, unsupervised or unintentional entry. It is also the pool owner's responsibility to warn all pool users of the hazards of diving into shallow water: paralyzing injury may result. Always obey all safety rules. Remember, pool safety is everybody's responsibility.

Change of Design: Lomart Industries expressly reserves the right to change or modify the design and construction of any product in due course of our manufacturing procedures, without incurring any obligation or liability to furnish or install such changes or modifications on products previously or subsequently sold.



LOMART INDUSTRIES
10959 Jersey Blvd. • Rancho Cucamonga, CA 91730
Visit our website at www.lomart.com