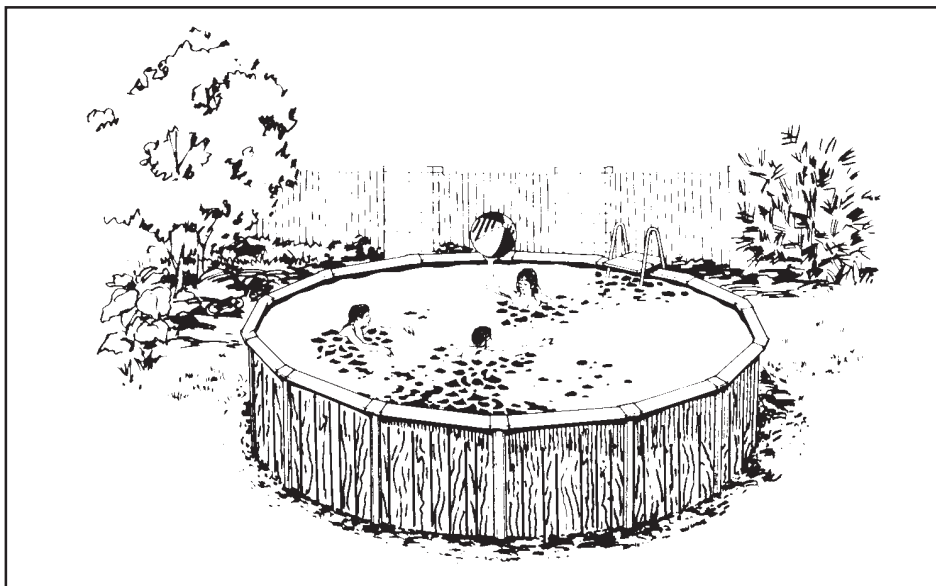


Lomart

Deluxe Greystone — 8" Series

Round Pools

Parts List



Lomart Parts List (Round)

			8' x 48"	12' x 48"	15' x 48"	18' x 48"	21' x 48"	24' x 48"	27' x 48"
ITEM	DESCRIPTION	PART NO.	QTY.	QTY.	QTY.	QTY.	QTY.	QTY.	QTY.
	STEEL PACK "A" CARTON	1-0848-901-702	1	—	—	—	—	—	—
	STEEL PACK "A" CARTON	1-1248-901-702	—	1	—	—	—	—	—
	STEEL PACK "A" CARTON	1-1548-901-702	—	—	1	—	—	—	—
	STEEL PACK "A" CARTON	1-1848-901-702	—	—	—	1	—	—	—
	STEEL PACK "A" CARTON	1-2148-901-702	—	—	—	—	1	—	—
	STEEL PACK "A" CARTON	1-2448-901-702	—	—	—	—	—	1	—
	STEEL PACK "A" CARTON	1-2748-901-702	—	—	—	—	—	—	1
1.	Top Rail	587-1310	—	10	12	14	—	—	—
	Top Rail	587-1312	—	—	—	—	16	18	20
	Top Rail	587-1315	10	—	—	—	—	—	—
2.	Stabilizer Rail (Large)	583-1011	—	6	8	9	—	—	—
	Stabilizer Rail	583-1005	—	—	—	—	10	11	12
	Stabilizer Rail (Small)	583-1012	—	6	8	9	—	—	—
	Stabilizer Rail	583-1004	—	—	—	—	10	11	12
	Stabilizer Rail (Small)	583-1060	6	—	—	—	—	—	—
	Stabilizer Rail	583-1059	6	—	—	—	—	—	—
3.	Vertical Center Section	580-1817	10	10	12	14	16	18	20
4.	Vertical End Cap	580-1825	20	20	24	28	32	36	40
5.	Top Connector	5188-0068	10	10	12	14	16	18	20
6.	Coping	545-1001	15	21	26	31	35	40	45
7.	Bottom Rail	589-1133	—	10	—	—	—	—	—
	Bottom Rail	589-1156	—	—	12	—	—	—	—
	Bottom Rail	589-1136	—	—	—	14	—	—	—
	Bottom Rail	589-1137	—	—	—	—	16	—	—
	Bottom Rail	589-1138	—	—	—	—	—	18	—
	Bottom Rail	589-1139	—	—	—	—	—	—	20
	Bottom Rail	589-1199	10	—	—	—	—	—	—
8.	Assembly/Installation Instructions	573-2892	1	1	1	1	1	1	1
9.	Warranty Card	—	1	1	1	1	1	1	1
10.	Product Registration Card	565-1121	1	1	1	1	1	1	1
11.	Pool Parts List	573-2925	1	1	1	1	1	1	1
12.	Book - "Read Me First"	573-2777	1	1	1	1	1	1	1
13.	Book - "Sensible Way. . ."	573-2743	1	1	1	1	1	1	1
14.	Book - "Safety First"	573-2778	1	1	1	1	1	1	1
15.	Brochure - "Children Aren't. . ."	573-2338	1	1	1	1	1	1	1
16.	Brochure - "Pool and Spa. . ."	573-2393	1	1	1	1	1	1	1
17.	#10 x 3/8" Screw	510-1000	100	100	120	140	160	180	200
	VERTICAL PACK	1-1200-904-702	1	1	—	—	—	—	—
	VERTICAL PACK	1-1500-904-702	—	—	1	—	—	—	—
	VERTICAL PACK	1-1800-904-702	—	—	—	1	—	—	—
	VERTICAL PACK	1-2100-904-702	—	—	—	—	1	—	—
	VERTICAL PACK	1-2400-904-702	—	—	—	—	—	1	—
	VERTICAL PACK	1-2700-904-702	—	—	—	—	—	—	1
18.	Vertical	580-1821	20	20	24	28	32	36	40
	VINYL LINER CARTON								
**19.	Premium Liner 8' x 48"	1-0848-_____	1	—	—	—	—	—	—
	Premium Liner 12' x 48"	1-1248-_____	—	1	—	—	—	—	—
	Premium Liner 15' x 48"	1-1548-_____	—	—	1	—	—	—	—
	Premium Liner 18' x 48"	1-1848-_____	—	—	—	1	—	—	—
	Premium Liner 21' x 48"	1-2148-_____	—	—	—	—	1	—	—
	Premium Liner 24' x 48"	1-2448-_____	—	—	—	—	—	1	—
	Premium Liner 27' x 48"	1-2748-_____	—	—	—	—	—	—	1
20.	Chlorine/Winterizing Instructions	573-2421	1	1	1	1	1	1	1
21.	Warranty Card - Liner	—	1	1	1	1	1	1	1
*22.	Repair Patch	564-1000	1	1	1	1	1	1	1
23.	Warning Decal	560-1041	3	3	3	3	3	3	3
24.	Decal - Shallow - 3-1/2 Ft.	560-1043	3	3	3	3	3	3	3
25.	"Read Me First" Book	573-2777	1	1	1	1	1	1	1
***25A.	"Deeper Area" Decal	560-1042	—	—	—	—	2	2	2

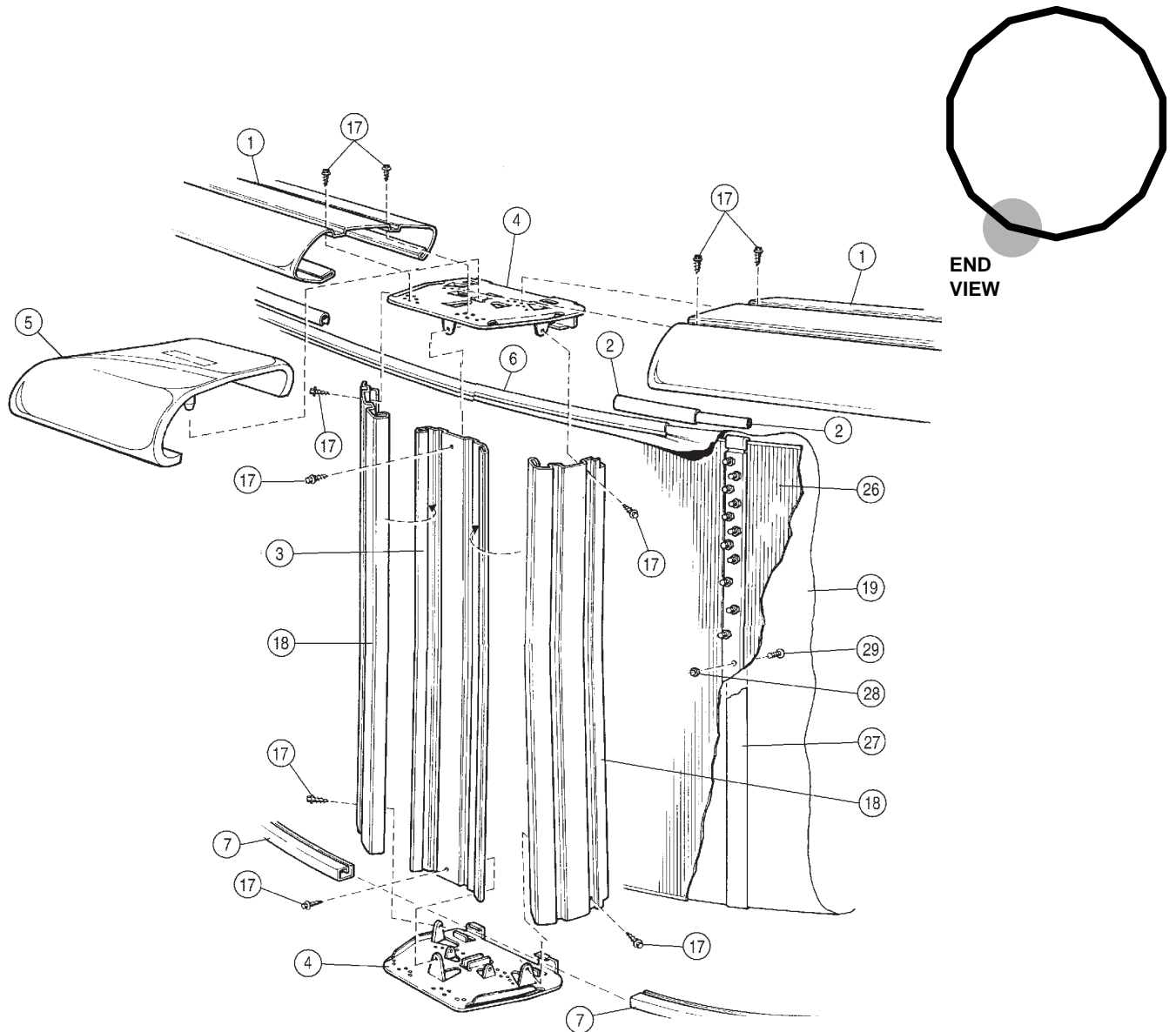
* For Additional Patch Kits, order part number 1-2002-006.

**Write the number of your liner in the spaces provided here and above. # _____ .

***Only supplied in Variable Depth Liners.

Lomart Parts List (Round)

ITEM	DESCRIPTION	PART NO.	8' x 48"	12' x 48"	15' x 48"	18' x 48"	21' x 48"	24' x 48"	27' x 48"
			QTY.	QTY.	QTY.	QTY.	QTY.	QTY.	QTY.
26.	SIDEWALL CARTON								
	Deluxe Greystone	1-0848-906-020	1	—	—	—	—	—	—
	Deluxe Greystone	1-1248-906-020	—	1	—	—	—	—	—
	Deluxe Greystone	1-8700-906-020	—	—	1	—	—	—	—
	Deluxe Greystone	1-1848-906-020	—	—	—	1	—	—	—
	Deluxe Greystone	1-2148-906-020	—	—	—	—	1	—	—
	Deluxe Greystone	1-2448-906-020	—	—	—	—	—	1	—
	Deluxe Greystone	1-2748-906-020	—	—	—	—	—	—	1
27.	Wall Protective Strip	535-1442	1	1	1	1	1	1	1
28.	1/4" - 20 Hex Nut	511-1000	23	23	23	23	23	23	23
29.	1/4" - 20 x 1" Slotted Screw	330-1151	23	23	23	23	23	23	23
30.	Warning Sign	560-1055	1	1	1	1	1	1	1
31.	Book - "Read Me First"	573-2777	1	1	1	1	1	1	1
32.	Adhesive Square	310-1034	6	6	6	6	6	6	6
33.	Safety Video	573-2507	1	1	1	1	1	1	1





Important! Above-ground pools are designed for swimming and wading only. Do not Dive or Jump! Misuse of your pool may result in crippling injury and/or other dangers to life and health. Do not use slides, diving boards, or any other platform or object which can be used for improper pool entry. Use only an above-ground swimming pool ladder to enter or exit your pool. It is the pool owner's responsibility to secure the pool against unauthorized, unsupervised or unintentional entry. It is also the pool owner's responsibility to warn all pool users of the hazards of diving into shallow water: paralyzing injury may result. Always obey all safety rules. Remember, pool safety is everybody's responsibility.

Change of Design: Lomart Industries expressly reserves the right to change or modify the design and construction of any product in due course of our manufacturing procedures, without incurring any obligation or liability to furnish or install such changes or modifications on products previously or subsequently sold.



LOMART INDUSTRIES
10959 Jersey Blvd. • Rancho Cucamonga, CA 91730