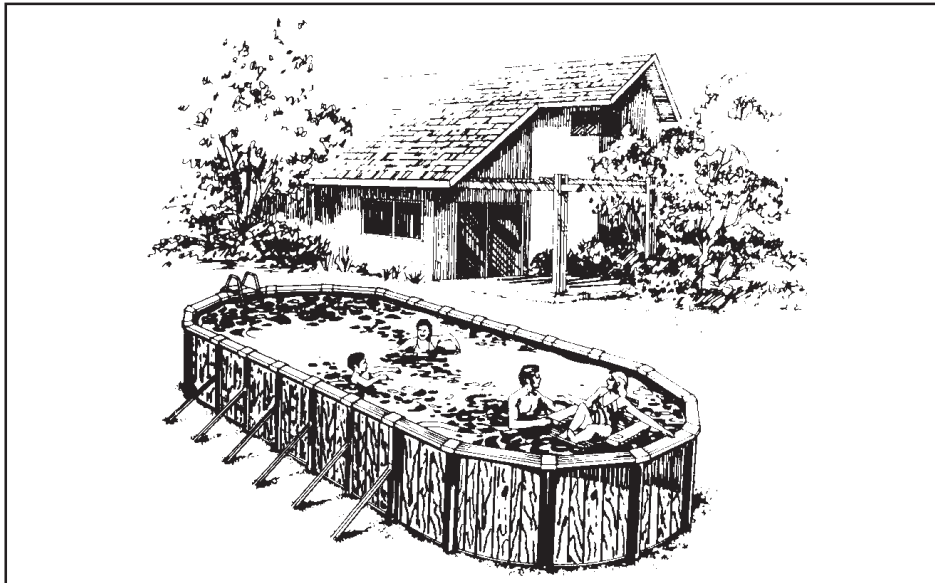


Lomart

Deluxe Grand Oak — 8" Series

Oval Pools

Parts List



Lomart Parts List (Oval)

			12' x 24'	15' x 24'	15' x 30'	18' x 33'	18' x 36'	18' x 39'
ITEM	DESCRIPTION	PART NO.	QTY.	QTY.	QTY.	QTY.	QTY.	QTY.
	STEEL PACK "A" CARTON	1-1224-901-711	1	—	—	—	—	—
	STEEL PACK "A" CARTON	1-1500-901-711	—	—	1	—	—	—
	STEEL PACK "A" CARTON	1-1800-901-711	—	—	—	1	1	1
	STEEL PACK "A" CARTON	1-1524-901-711	—	1	—	—	—	—
	STEEL PACK "B" CARTON	1-1530-902-711	—	—	1	—	—	—
	STEEL PACK "B" CARTON	1-1833-902-711	—	—	—	1	—	—
	STEEL PACK "B" CARTON	1-1836-902-711	—	—	—	—	1	—
	STEEL PACK "B" CARTON	1-1839-902-711	—	—	—	—	—	1
1.	Top Rail	587-1311	8	10	10	12	12	12
2.	Top Rail Side	587-1309	10	8	12	12	14	16
3.	Stabilizer Rail (Large)	583-1011	8	9	9	11	11	11
4.	Stabilizer Rail (Small)	583-1012	8	9	9	11	11	11
5.	Vertical Center Section	580-1818	10	12	12	14	14	14
6.	Vertical End Cap	580-1825	20	24	24	28	28	28
7.	Side Vertical Top Cap	580-1907	8	6	10	10	12	14
8.	Top Connector	5188-0067	18	18	22	24	26	28
9.	Coping	545-1001	33	35	41	46	49	52
10.	Bottom Rail	589-1133	8	—	—	—	—	—
	Bottom Rail	589-1134	—	10	10	—	—	—
	Bottom Rail	589-1136	—	—	—	12	12	12
10A.	Bottom Rail Apex	589-1135	4	4	4	4	4	4
11.	Hold Down Plate	580-1515	6	4	8	8	10	12
12.	Side Stabilizer Rail	583-1045	6	4	8	8	10	12
13.	Bottom Rail Locator	580-1354	4	4	4	4	4	4
14.	#10 x 3/8" Screw	510-1000	140	150	170	190	200	214
15.	Book - "Read Me First"	573-2777	1	1	1	1	1	1
16.	Book - "Safety First"	573-2778	1	1	1	1	1	1
17.	Book - "Sensible Way. . ."	573-2743	1	1	1	1	1	1
18.	Brochure - "Children Aren't. . ."	573-2338	1	1	1	1	1	1
19.	Brochure - "Pool and Spa. . ."	573-2393	1	1	1	1	1	1
20.	Product Registration Card	565-1121	1	1	1	1	1	1
21.	Assembly/Installation Instructions	573-2893	1	1	1	1	1	1
21A.	Optional Instructions	369-1214	1	1	1	1	1	1
22.	Warranty Card - Metal	—	1	1	1	1	1	1
23.	Pool Parts List	573-2924	1	1	1	1	1	1
24.	Tension Strap - 12 Ft.	580-1348	4	—	—	—	—	—
	Tension Strap - 15 Ft.	580-1349	—	3	5	—	—	—
	Tension Strap - 18 Ft.	580-1350	—	—	—	5	6	7
25.	Connector Bracket	580-1906	8	6	10	10	12	14
26.	Stabilizer Bracket	580-1942	8	6	10	10	12	14
	VERTICAL PACK	1-1200-904-701	1	—	—	—	—	—
	VERTICAL PACK	1-1500-904-701	—	1	1	—	—	—
	VERTICAL PACK	1-1800-904-701	—	—	—	1	1	1
27.	Vertical	580-1822	20	24	24	28	28	28

Lomart Parts List (Oval)

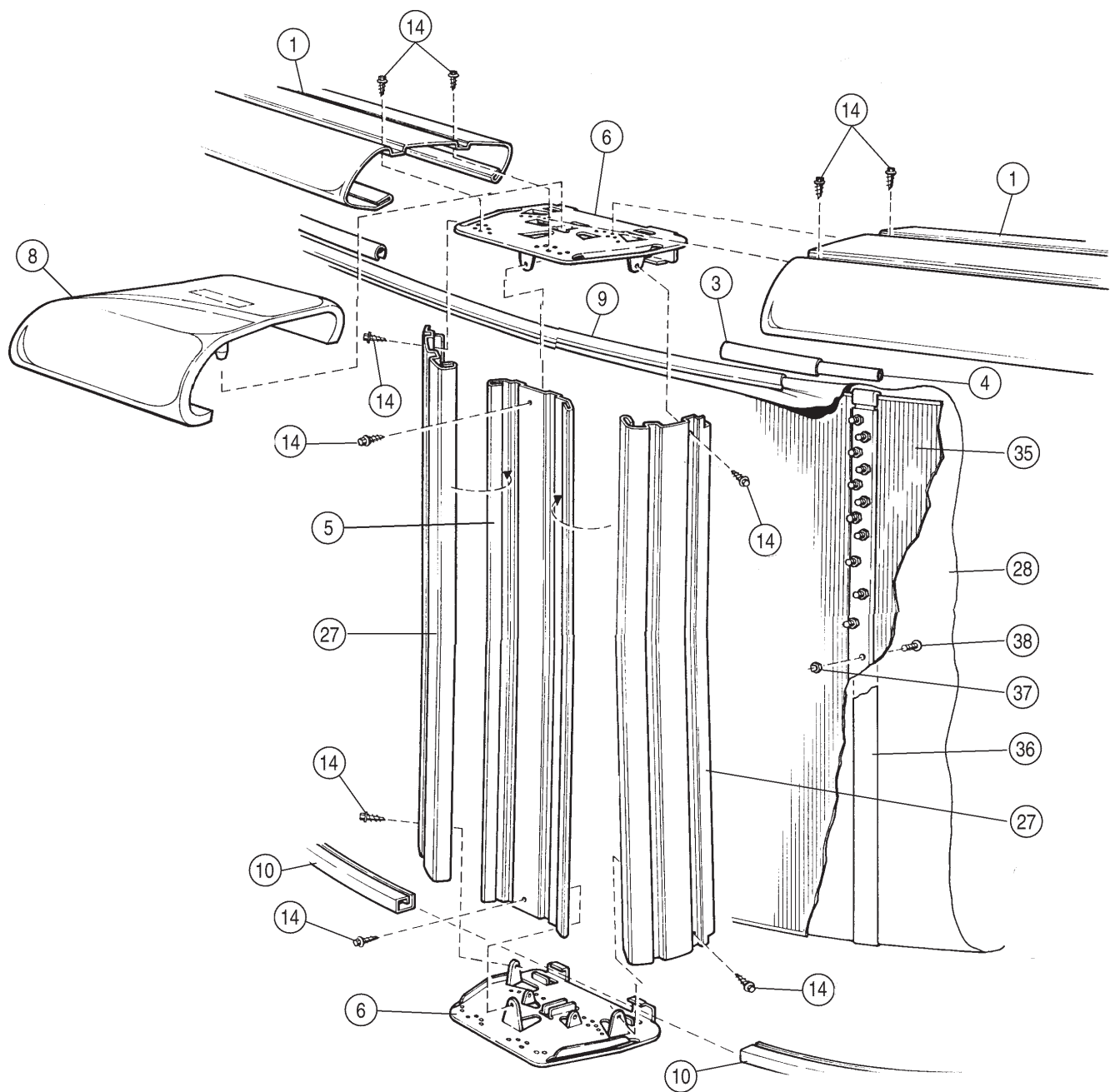
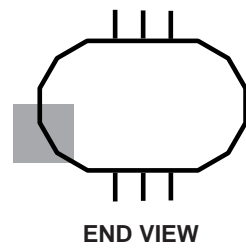
ITEM	DESCRIPTION	PART NO.	12' x 24'	15' x 24'	15' x 30'	18' x 33'	18' x 36'	18' x 39'
			QTY.	QTY.	QTY.	QTY.	QTY.	QTY.
	VINYL LINER CARTON							
**28.	Premium Liner (12' x 24' x 48")	1-1224-_____	1	—	—	—	—	—
	Premium Liner (15' x 24' x 48")	1-1524-_____	—	1	—	—	—	—
	Premium Liner (15' x 30' x 48")	1-1530-_____	—	—	1	—	—	—
	Premium Liner (18' x 33' x 48")	1-1833-_____	—	—	—	1	—	—
	Premium Liner (18' x 36' x 48")	1-1836-_____	—	—	—	—	1	—
	Premium Liner (18' x 39' x 48")	1-1839-_____	—	—	—	—	—	1
29.	Chlorine/Winterizing Instructions	573-2421	1	1	1	1	1	1
30.	Warranty Card	—	1	1	1	1	1	1
*31.	Repair Patch	564-1000	1	1	1	1	1	1
32.	Warning Decals	560-1041	3	3	3	3	3	3
33.	Decal - Shallow 3-1/2 Ft.	560-1043	3	3	3	3	3	3
34.	Book - "Read Me First"	573-2777	1	1	1	1	1	1
***34A.	Decal - "Deeper Area"	560-1042	—	2	2	2	2	2
	SIDEWALL CARTON							
35.	Deluxe Grand Oak	1-1224-906-019	1	—	—	—	—	—
	Deluxe Grand Oak	1-1524-906-019	—	1	—	—	—	—
	Deluxe Grand Oak	1-1530-906-019	—	—	1	—	—	—
	Deluxe Grand Oak	1-1833-906-019	—	—	—	1	—	—
	Deluxe Grand Oak	1-8700-906-019	—	—	—	—	2	—
	Deluxe Grand Oak	1-1839-906-019	—	—	—	—	—	2
36.	Wall Protective Strip	535-1442	1	1	1	1	2	2
37.	1/4" - 20 Hex Nut	511-1000	23	23	23	23	46	46
38.	1/4" - 20 x 1" Slotted Screw	330-1151	23	23	23	23	46	46
39.	Cover Plate Skimmer (not shown)	580-1794	—	—	—	—	2	2
40.	Cover Plate - Return (not shown)	580-1795	—	—	—	—	2	2
41.	Warning Sign	560-1055	1	1	1	1	2	2
42.	Book - "Read Me First"	573-2777	1	1	1	1	2	2
43.	Adhesive Square	310-1034	6	6	6	6	12	12
44.	Safety Video	573-2507	1	1	1	1	2	2
	SUPPORT PACK 4	1-9884-000	2	—	1	1	—	2
	SUPPORT PACK 6	1-9886-000	—	1	1	1	2	1
45.	Buttress Vertical	580-1493	8	6	10	10	12	14
46.	Buttress Diagonal	580-1494	8	6	10	10	12	14
47.	Vertical Yoke	580-1352	8	6	10	10	12	14
48.	Outside Tension Strap	580-1351	8	6	10	10	12	14
49.	Diagonal Cap	340-1493	8	6	10	10	12	14
50.	5/16" - 18 x 2-3/4" Bolt	330-1110	40	30	50	50	60	70
51.	5/16" - 18 Hex Nut	321-1031	56	42	70	70	84	98
52.	5/16" Washer	326-1019	56	42	70	70	84	98
53.	1/4" - 20 x 1/2" Machine Screw	330-1072	48	36	60	60	72	84
54.	5/16" - 18 x 1-1/4" Screw	330-1109	16	12	20	20	24	28
55.	1/4" - 20 Hex Nut	511-1000	48	36	60	60	72	84
55A	#10 x 3/8" Sheet Metal Screw	510-1000	8	6	10	10	12	14
****	DRAG PLATE KIT	1-9999-990	1	1	1	1	1	1
56.	Drag Plate	580-1428	4	4	4	4	4	4

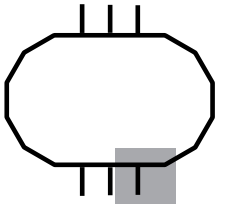
* For additional Patch Kits, order part number 1-2002-006.

** Write the number of your liner in the spaces provided here and above. # _____ .

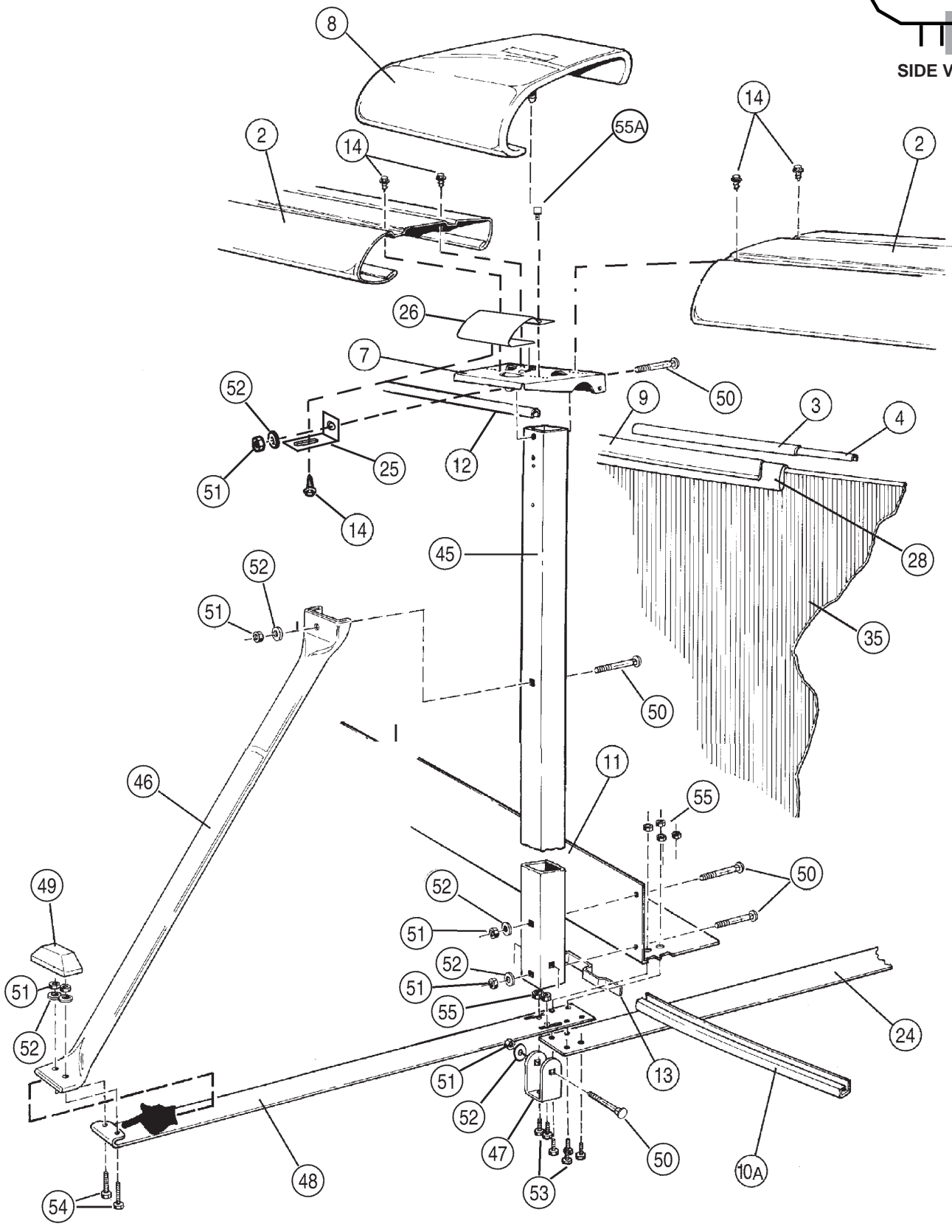
*** Only supplied in Variable Depth Liners.

**** Only supplied for deep end pools.





SIDE VIEW





Important! Above-ground pools are designed for swimming and wading only. Do not Dive or Jump! Misuse of your pool may result in crippling injury and/or other dangers to life and health. Do not use slides, diving boards, or any other platform or object which can be used for improper pool entry. Use only an above-ground swimming pool ladder to enter or exit your pool. It is the pool owner's responsibility to secure the pool against unauthorized, unsupervised or unintentional entry. It is also the pool owner's responsibility to warn all pool users of the hazards of diving into shallow water: paralyzing injury may result. Always obey all safety rules. Remember, pool safety is everybody's responsibility.

Change of Design: Lomart Industries expressly reserves the right to change or modify the design and construction of any product in due course of our manufacturing procedures, without incurring any obligation or liability to furnish or install such changes or modifications on products previously or subsequently sold.

Lomart

LOMART INDUSTRIES

10959 Jersey Blvd. • Rancho Cucamonga, CA 91730