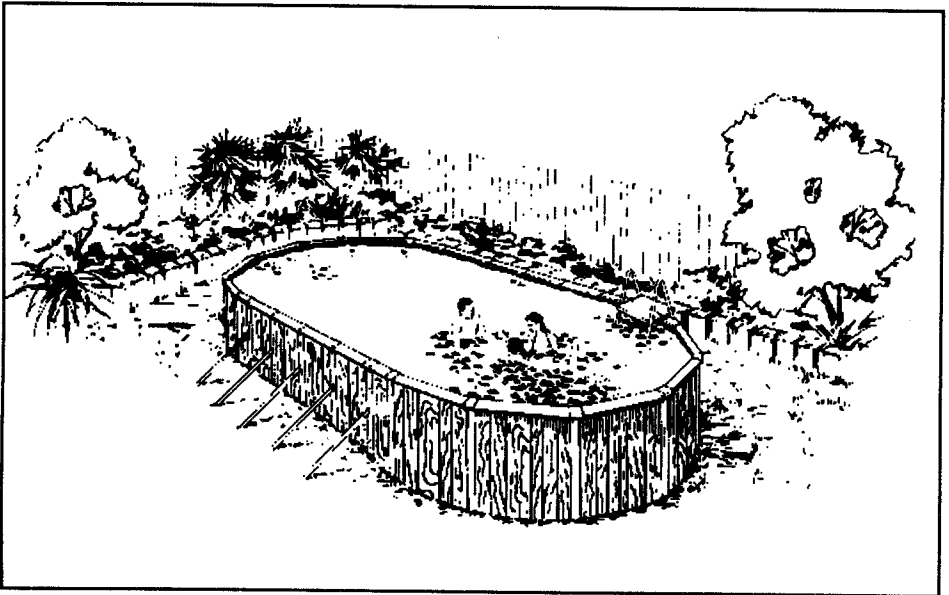


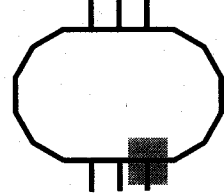
Lomart

Blue Galaxy — 6" Series

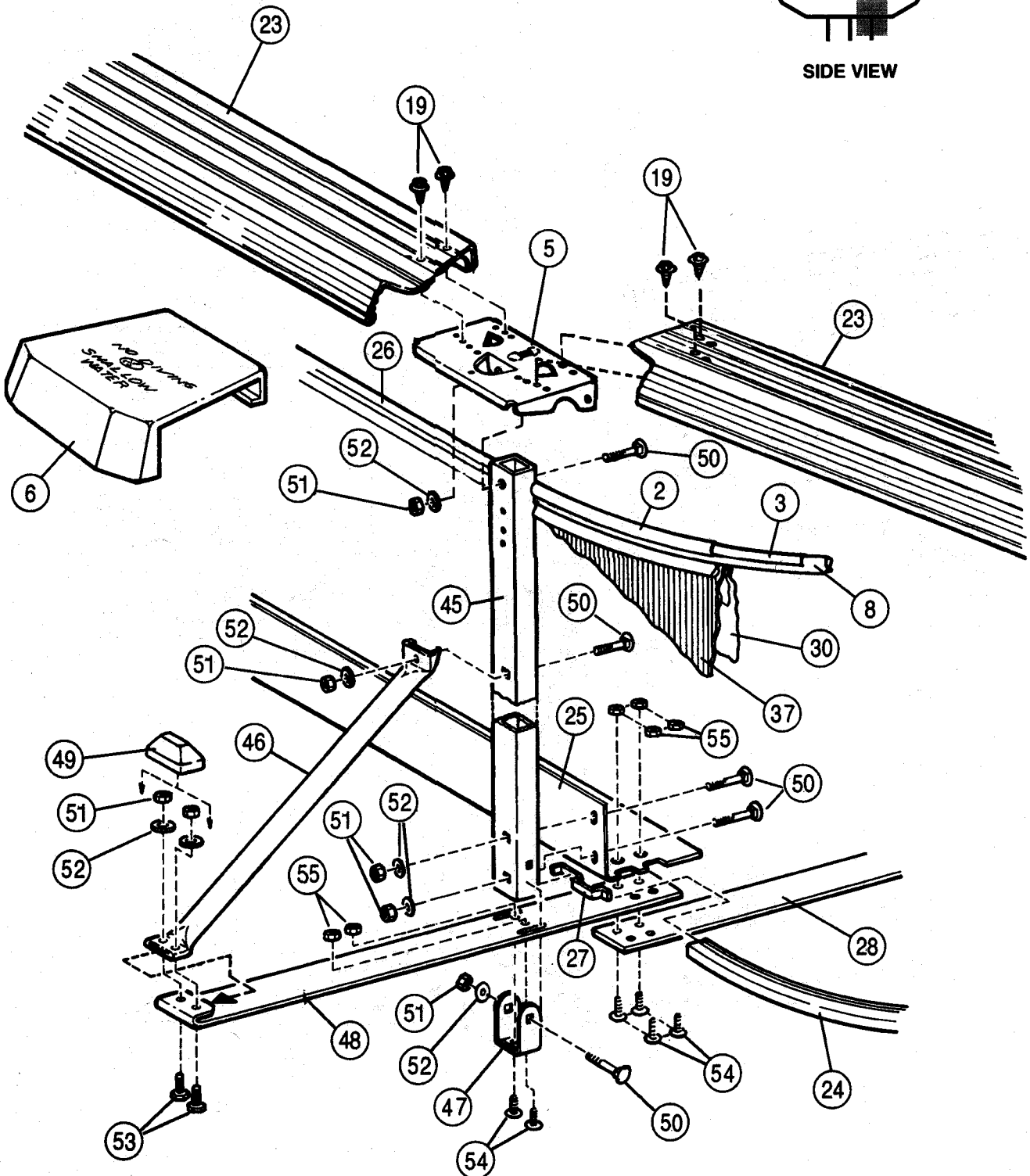
Oval Pools

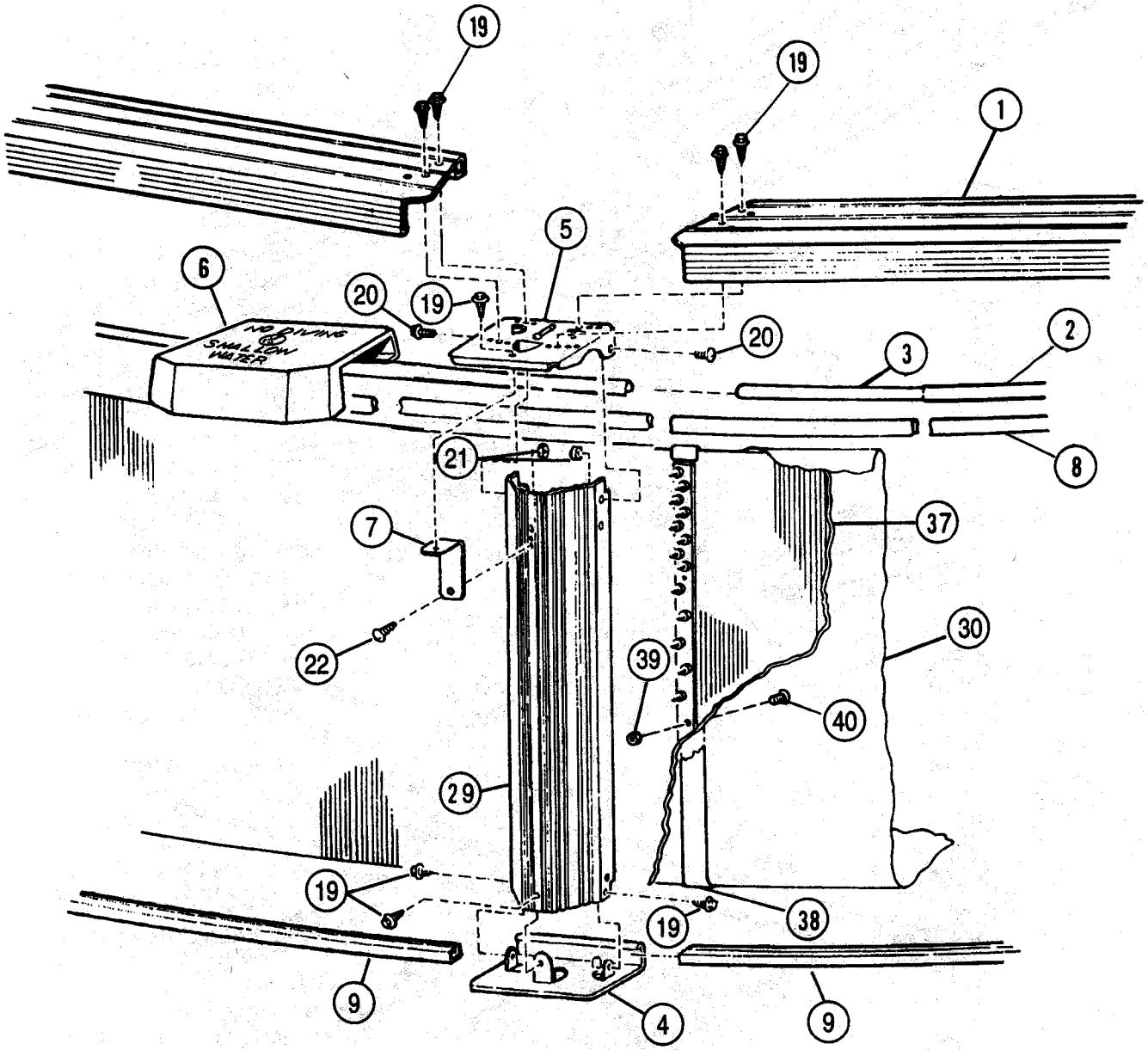
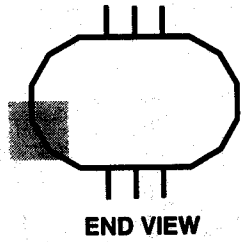
Parts List





SIDE VIEW





LOMART PARTS LIST (OVAL)

			15' x 24'	15' x 30'	18' x 33'
ITEM	DESCRIPTION	PART NO.	QTY.	QTY.	QTY.
	STEEL PACK "A" CARTON	1-1524-901-552	1	—	—
	STEEL PACK "A" CARTON	1-1530-901-552	—	1	—
	STEEL PACK "A" CARTON	1-1833-901-552	—	—	1
1.	Top Rail	587-1102	10	10	12
2.	Stabilizer Rail (Large)	583-1011	9	9	11
3.	Stabilizer Rail (Small)	583-1012	9	9	11
4.	Bottom Connector	580-1343	12	12	14
5.	Vertical Top Cap	580-1907	18	22	24
6.	Top Connector	340-2170	18	22	24
7.	Vertical Tab	580-1460	12	12	14
8.	Coping	545-1001	35	41	46
9.	Bottom Rail - 15 ft.	589-1134	10	10	—
	Bottom Rail - 18 ft.	589-1136	—	—	12
10.	Assembly/Installation Instructions	573-2930	1	1	1
11.	Warranty Card	—	1	1	1
12.	Product Registration Card	565-1121	1	1	1
13.	Pool Parts List	573-2915	1	1	1
14.	Book - "Sensible Way. . ."	573-2743	1	1	1
15.	Book - "Safety First"	573-2778	1	1	1
16.	Brochure - "Children Aren't Waterproof"	573-2338	1	1	1
17.	Brochure - "Pool and Spa. . ."	573-2393	1	1	1
18.	Book - "Read Me First"	573-2777	1	1	1
19.	#10 x 3/8" Sheet Metal Screw	510-1000	120	136	152
20.	1/4-20 x 1/2" Mach. Screw	330-1072	24	24	28
21.	1/4-20 Kep Nut	432-1000	24	24	28
22.	#14 x 1/2" Screw	330-1075	12	12	14
23.	Buttress Top Rail	587-1405	8	12	12
24.	Bottom Rail - Apex	589-1216	4	4	4
25.	Hold Down Plate	580-1976	4	8	8
26.	Stabilizer Rail - Side	583-1063	4	8	8
27.	Bottom Rail Locator	580-1354	4	4	4
28.	Tension Strap - 15 Foot	580-1349	3	5	—
	Tension Strap - 18 Foot	580-1350	—	—	5
	VERTICAL PACK	1-1501-904-502	1	1	—
	VERTICAL PACK	1-1801-904-502	—	—	1
29.	Vertical	580-1953	12	12	14
	VINYL LINER CARTON				
**30.	Liner 15' x 24'	1-1524-___	1	—	—
	Liner 15' x 30'	1-1530-___	—	1	—
	Liner 18' x 33'	1-1833-___	—	—	1
31.	Chlorine/Winterizing Instructions	573-2421	1	1	1
32.	Warranty Card	—	1	1	1
*33.	Repair Patch - Vinyl	564-1000	1	1	1
34.	Warning Decal	560-1041	3	3	3
35.	Decal - Shallow, 3-3/4 Ft.	560-1056	3	3	3
35A.	Shallow Decal Insert Sheet	369-1216	1	1	1
36.	Book - "Read Me First"	573-2777	1	1	1

* For Additional Patch Kits, order part number 1-2002-006.

**Write the number of your liner in the spaces provided here and above. # _____

LOMART PARTS LIST (OVAL) Continued

			15' x 24'	15' x 30'	18' x 33'
ITEM	DESCRIPTION	PART NO.	QTY.	QTY.	QTY.
	SIDEWALL CARTON				
37.	Blue Galaxy - (15' x 24' x 52")	1-1524-906-028	1	—	—
	Blue Galaxy - (15' x 30' x 52")	1-1530-906-028	—	1	—
	Blue Galaxy - (18' x 33' x 52")	1-1833-906-028	—	—	1
38.	Wall Protective Strip	535-1442	1	1	1
39.	1/4" x 20 Hex Nut	511-1000	27	27	27
40.	1/4" - 20 x 1" Slotted Screw	330-1151	27	27	27
41.	Warning Sign	560-1055	1	1	1
42.	Book - "Read Me First"	573-2777	1	1	1
43.	Adhesive Squares	310-1034	6	6	6
44.	Safety Video	573-2507	1	1	1
	SUPPORT PACK - 4	1-0804-907	—	1	1
	SUPPORT PACK - 6	1-0806-907	1	1	1
45.	Buttress Vertical	580-1972	6	10	10
46.	Buttress Diagonal	580-1973	6	10	10
47.	Vertical Yoke	580-1352	6	10	10
48.	Outside Tension Strap	580-1974	6	10	10
49.	Diagonal Cap	340-1493	6	10	10
50.	5/16 - 18 x 2-3/4" Carriage Bolt	330-1110	30	50	50
51.	5/16 - 18 Hex Nut	321-1031	42	70	70
52.	5/16" Washer	326-1019	42	70	70
53.	5/16 - 18 x 1-1/4" Hex Head Bolt	330-1109	12	20	20
54.	1/4 - 20 x 1/2" Machine Screw	330-1072	36	60	60
55.	1/4-20 Hex Nut	511-1000	36	60	60
56.	#10 x 3/8" Sheet Metal Screw	510-1000	6	10	10