



Timberline II

Round Pool

Parts List



Timberline II Round Pool — Parts List

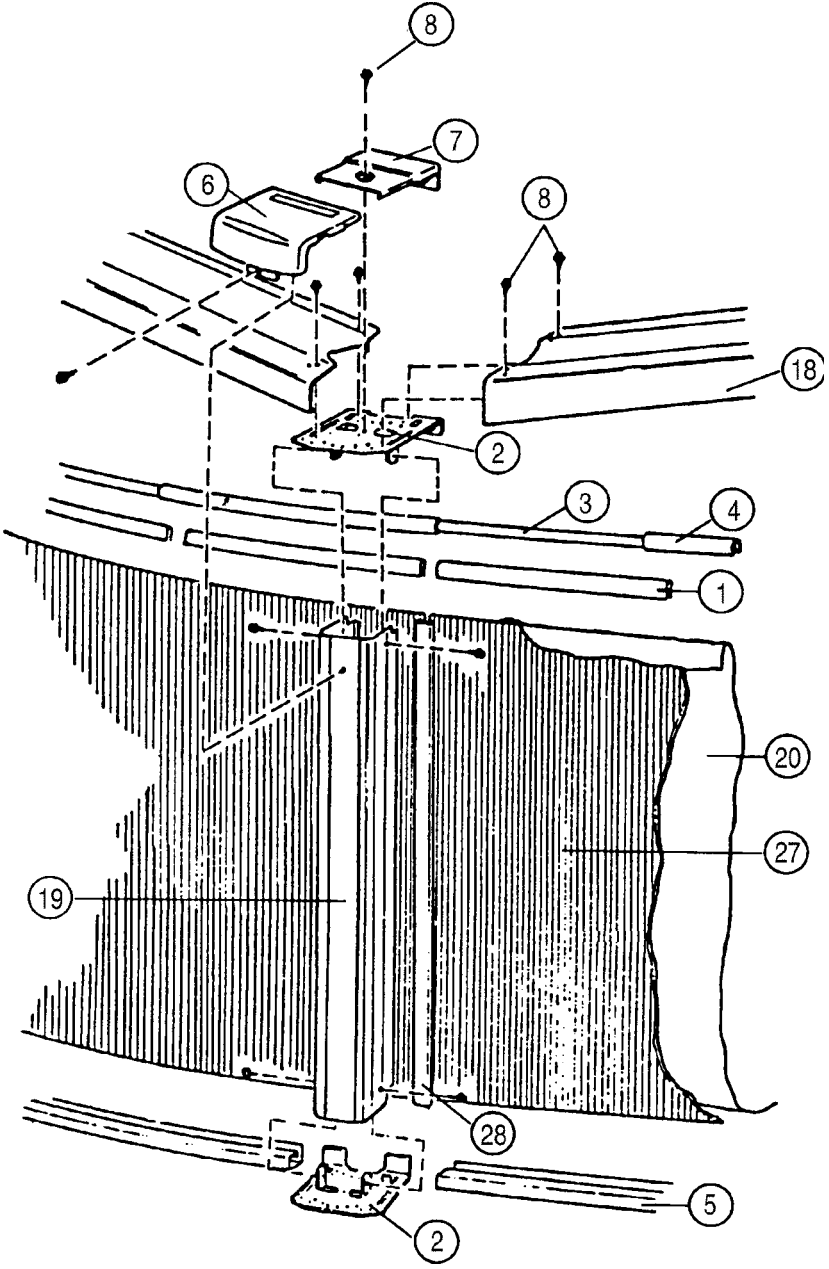
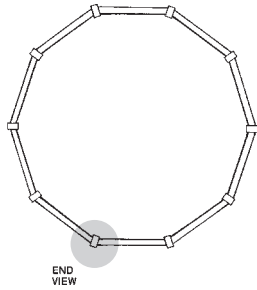
ITEM #	DESCRIPTION	12' x 48"		16' x 48"		18' x 48"		21' x 48"		24' x 48"	
		PART #	QTY.	PART #	QTY.	PART #	QTY.	PART #	QTY.	PART #	QTY.
	ASSEMBLY PACK	0-9912-400	1	0-9916-400	1	0-9918-400	1	0-9921-400	1	0-9924-400	1
1.	Plastic Coping, 24"	545-1001	22	545-1001	28	545-1001	30	545-1001	35	545-1001	40
2.	Vertical End Cap	580-1594	20	580-1594	24	580-1594	28	580-1594	32	580-1594	36
3.	Stabilizer Rail, small dia.	583-1012	6	583-1012	8	583-1012	9	583-1004	10	583-1004	11
4.	Stabilizer Rail, large dia.	583-1011	6	583-1011	8	583-1011	9	583-1005	10	583-1005	11
5.	Bottom Rail	589-1046	10	589-1047	12	589-1048	14	589-1049	16	589-1050	18
6.	4" Outer Connector	580-1546	10	580-1546	12	580-1546	14	580-1546	16	580-1546	18
7.	Inner Connector	5186-1186	10	5186-1186	12	5186-1186	14	5186-1186	16	5186-1186	18
*8.	Sheet Metal Screw-#10 x 3/8", Hexwasher Head, Type AB	510-1000	100	510-1000	120	510-1000	140	510-1000	160	510-1000	180
9.	Pool Parts List	573-2819	1	573-2819	1	573-2819	1	573-2819	1	573-2819	1
10.	Pool Installation Instructions	573-2801	1	573-2801	1	573-2801	1	573-2801	1	573-2801	1
11.	"Read Me First" Booklet	573-2777	1	573-2777	1	573-2777	1	573-2777	1	573-2777	1
12.	"Enjoy Your Pool" Booklet	573-2743	1	573-2743	1	573-2743	1	573-2743	1	573-2743	1
13.	"Safety First" Booklet	573-2778	1	573-2778	1	573-2778	1	573-2778	1	573-2778	1
14.	"Children Aren't . . ." Brochure	573-2338	1	573-2338	1	573-2338	1	573-2338	1	573-2338	1
15.	"Pool & Spa . . ." Brochure	573-2393	1	573-2393	1	573-2393	1	573-2393	1	573-2393	1
16.	Warranty Card - Metal	—	1	—	1	—	1	—	1	—	1
17.	Product Registration Card	565-1117	1	565-1117	1	565-1117	1	565-1117	1	565-1117	1
	TOP RAIL PACK	0-9801-400	1	0-9812-400	1	0-9814-400	1	0-9816-400	1	0-9818-400	1
18.	Top Rail	587-1192	10	587-1194	12	587-1194	14	587-1194	16	587-1194	18
	VERTICAL PACK	0-9710-400	1	0-9712-400	1	0-9714-400	1	0-9716-400	1	0-9718-400	1
19.	Vertical	580-1156	10	580-1156	12	580-1156	14	580-1156	16	580-1156	18
	POOL LINER CARTON	0-1248-___	1	0-1648-___	1	0-1848-___	1	0-2148-___	1	0-2448-___	1
***20.	Pool Liner	573-2421	1	573-2421	1	573-2421	1	573-2421	1	573-2421	1
21.	Chlorine/Winterizing Instructions	560-1041	3	560-1041	3	560-1041	3	560-1041	3	560-1041	3
22.	"Warning" Decal	—	1	—	1	—	1	—	1	—	1
23.	Warranty Card - Liner	560-1043	3	560-1043	3	560-1043	3	560-1043	3	560-1043	3
24.	"Shallow" Decal	564-1000	1	564-1000	1	564-1000	1	564-1000	1	564-1000	1
**25.	Repair Patch	573-2777	1	573-2777	1	573-2777	1	573-2777	1	573-2777	1
26.	"Read Me First" Booklet										
	SIDEWALL CARTON	0-0008-012	1	0-0008-016	1	0-0008-018	1	0-0008-021	1	0-0008-024	1
27.	Sidewall	580-1002	1	580-1002	1	580-1002	1	580-1002	1	580-1002	1
28.	Joint Piece	—	1	—	1	—	1	—	1	—	1
29.	Warranty Card - Metal	560-1046	1	560-1046	1	560-1046	1	560-1046	1	560-1046	1
30.	"Warning" Sign	573-2777	1	573-2777	1	573-2777	1	573-2777	1	573-2777	1
31.	"Read Me First" Booklet	332-1079	1	332-1079	1	332-1079	1	332-1079	1	332-1079	1
32.	Black Marking Pen	310-1034	6	310-1034	6	310-1034	6	310-1034	6	310-1034	6
33.	Adhesive Squares	573-2500	1	573-2500	1	573-2500	1	573-2500	1	573-2500	1
34.	Safety Video										

*Screws are available in most hardware stores.

**For additional patch kits order Part No. 0-5604-000.

***Write the number of your liner in the spaces provided here and above. # _____.

EXPLODED VIEW





Change of Design: Doughboy Recreational expressly reserves the right to change or modify the design and construction of any product in due course of their manufacturing procedures, without incurring any obligation to furnish or install such changes or modifications on products previously or subsequently sold.

"the original portable pool"

doughboy[®]

DOUGHBOY RECREATIONAL • 10959 Jersey Blvd. • Rancho Cucamonga, CA 91730

DB 695-034

Made in the United States of America

Copyright © 1995