



# Adobe Canyon

## Oval Pool

---

### Parts List



# Adobe Canyon Oval Pool — Parts List

ITEM #	DESCRIPTION	20' x 12' x 48"		24' x 12' x 48"		28' x 12' x 48"		24' x 16' x 48"		28' x 16' x 48"	
		PART #	QTY.	PART #	QTY.	PART #	QTY.	PART #	QTY.	PART #	QTY.
	<b>ASSEMBLY PACK</b>	0-9902-704	1	0-9942-704	1	0-9910-704	1	0-9946-704	1	0-9986-704	1
1.	Plastic Coping, 24"	545-1001	30	545-1001	33	545-1001	37	545-1001	36	545-1001	40
2.	Vertical End Cap	580-1619	20	580-1619	20	580-1619	20	580-1619	24	580-1619	24
3.	Side Vertical Cap	580-1887	4	580-1887	6	580-1887	8	580-1887	4	580-1887	6
4.	Vertical Center Section	580-1670	10	580-1670	10	580-1670	10	580-1670	12	580-1670	12
5.	Stabilizer Rail, small dia.	583-1012	8	583-1012	8	583-1012	8	583-1012	10	583-1012	10
6.	Stabilizer Rail, large dia.										
***6A.	Stabilizer Rail, large dia.	583-1011	10	583-1011	12	583-1011	14	583-1011	10	583-1011	12
7.	Bottom Rail (Stamped 12 or 16)	589-1046	12	589-1046	12	589-1046	12	589-1047	10	589-1047	10
8.	Side Rail (Stamped S)	589-1052	2	589-1052	4	589-1052	6	598-1052	2	589-1052	4
9.	Transition Rail (Stamped TR)							589-1053	4	589-1053	4
10.	6" Outer Connector (Ends)	580-1671	10	580-1671	10	580-1671	10	580-1671	12	580-1671	12
11.	Outer Connector Bracket	580-1629	4	580-1629	6	580-1629	8	580-1629	4	580-1629	6
12.	Inner Connector	5186-1187	14	5186-1187	16	5186-1187	18	5186-1187	16	5186-1187	18
13.	Outer Connector, 6" x 3" (Side)	580-1695	4	580-1695	6	580-1695	8	580-1695	4	580-1695	6
*14.	#10 x 3/8" Lg. Hex Washer Hd. Screw	510-1000	166	510-1000	184	510-1000	202	510-1000	192	510-1000	210
*15.	Machine Screw, #10-24 x 1/2" pan head	510-1008	4	510-1008	6	510-1008	8	510-1008	4	510-1008	6
*16.	Square Nut, #10-24	321-1025	4	321-1025	6	321-1025	8	321-1025	4	321-1025	6
16A	Side Top Rail	587-1219	2	587-1219	4	587-1219	6				
17.	Pool Parts List	573-2798	1	573-2798	1	573-2798	1	573-2798	1	573-2798	1
18.	Pool Installation Instructions	573-2793	1	573-2793	1	573-2793	1	573-2793	1	573-2793	1
19.	"Read Me First" Booklet	573-2777	1	573-2777	1	573-2777	1	573-2777	1	573-2777	1
20.	"Enjoy Your Pool" Booklet	573-2743	1	573-2743	1	573-2743	1	573-2743	1	573-2743	1
21.	"Safety First" Booklet	573-2778	1	573-2778	1	573-2778	1	573-2778	1	573-2778	1
22.	"Children Aren't . . ." Brochure	573-2338	1	573-2338	1	573-2338	1	573-2338	1	573-2338	1
23.	"Pool & Spa . . ." Brochure	573-2393	1	573-2393	1	573-2393	1	573-2393	1	573-2393	1
24.	Warranty Card - Metal	—	1	—	1	—	1	—	1	—	1
25.	Product Registration Card	565-1117	1	565-1117	1	565-1117	1	565-1117	1	565-1117	1
	<b>TOP RAIL PACK</b>	0-9803-702	1	0-9803-702	1	0-9803-702	1	0-9816-702	1	0-9818-702	1
26.	Top Rail	587-1218	12	587-1218	12	587-1218	12	587-1219	16	587-1219	18
	<b>POOL LINER CARTON</b>										
****27.	Pool Liner	0-2012-___	1	0-2412-___	1	0-2812-___	1	0-2416-___	1	0-2816-___	1
28.	Chlorine/Winterizing Instructions	573-2421	1	573-2421	1	573-2421	1	573-2421	1	573-2421	1
29.	"Warning" Decal	560-1041	3	560-1041	3	560-1041	3	560-1041	3	560-1041	3
30.	Warranty Card - Liner	—	1	—	1	—	1	—	1	—	1
**31.	Repair Patch	564-1000	1	564-1000	1	564-1000	1	564-1000	1	564-1000	1
32.	"Deeper Area" Decal	560-1042	2	560-1042	2	560-1042	2	560-1042	2	560-1042	2
33.	"Shallow" Decal	560-1043	3	560-1043	3	560-1043	3	560-1043	3	560-1043	3
34.	"Read Me First" Booklet	573-2777	1	573-2777	1	573-2777	1	573-2777	1	573-2777	1
	<b>SIDEWALL CARTON</b>										
35.	Sidewall	0-0708-002	1	0-0708-042	1	0-0708-010	1	0-0708-046	1	0-0708-086	1
36.	Joint Piece	580-1002	1	580-1002	1	580-1002	1	580-1002	1	580-1002	1
37.	Large Cover Plate										
38.	Small Cover Plate										
39.	Warranty Card - Metal	—	1	—	1	—	1	—	1	—	1
40.	"Warning" Sign	560-1046	1	560-1046	1	560-1046	1	560-1046	1	560-1046	1
41.	"Read Me First" Booklet	573-2777	1	573-2777	1	573-2777	1	573-2777	1	573-2777	1
42.	Black Marking Pen	332-1079	1	332-1079	1	332-1079	1	332-1079	1	332-1079	1
43.	Adhesive Squares	310-1034	6	310-1034	6	310-1034	6	310-1034	6	310-1034	6
44.	Safety Video	573-2500	1	573-2500	1	573-2500	1	573-2500	1	573-2500	1
	<b>VERTICAL PACK</b>	0-9710-702	1	0-9710-702	1	0-9710-702	1	0-9712-702	1	0-9712-702	1
45.	Vertical Side Section	580-1669	20	580-1669	20	580-1669	20	580-1669	24	580-1669	24
	<b>SUPPORT PACK 2 — CARTON</b>			0-8888-092	1					0-8888-092	1
	<b>SUPPORT PACK 4 — CARTON</b>	0-8888-094	1	0-8888-094	1	0-8888-094	2	0-8888-094	1	0-8888-094	1
46.	Vertical Brace - Right	580-1893	4	580-1893	6	580-1893	8	580-1893	4	580-1893	6
47.	Vertical Brace - Left	580-1894	4	580-1894	6	580-1894	8	580-1894	4	580-1894	6
48.	Support Vertical	580-1895	4	580-1895	6	580-1895	8	580-1895	4	580-1895	6
49.	Skid Support	580-1779	4	580-1779	6	580-1779	8	580-1779	4	580-1779	6
50.	Ground Support - Top	580-1851	4	580-1851	6	580-1851	8	580-1851	4	580-1851	6
51.	Ground Support - Bottom	580-1852	4	580-1852	6	580-1852	8	580-1852	4	580-1852	6
52.	Vertical Spacer	341-1257	12	341-1257	18	341-1257	24	341-1257	12	341-1257	18
53.	Pressure Pad - Outside	580-1869	4	580-1869	6	580-1869	8	580-1869	4	580-1869	6
54.	Pressure Pad - Side Vertical	580-1870	4	580-1870	6	580-1870	8	580-1870	4	580-1870	6
55.	Bottom Rail Locator	580-1792	4	580-1792	6	580-1792	8	580-1792	4	580-1792	6
*56.	Sheet Metal Screw, No. 12 x 3/4"	510-1035	24	510-1035	36	510-1035	48	510-1035	24	510-1035	36
*57.	Hex Head Bolt, 3/8 - 16 x 3-1/2"	330-1220	32	330-1220	48	330-1220	64	330-1220	32	330-1220	48
*58.	Hex Nut, 3/8 - 16	321-1069	32	321-1069	48	321-1069	64	321-1069	32	321-1069	48
*59.	Hex Head Screw, 1/4 - 20 x 1/2"	510-1018	16	510-1018	24	510-1018	32	510-1018	16	510-1018	24
60.	Hex Nut 1/4 - 20	511-1000	16	511-1000	24	511-1000	32	511-1000	16	511-1000	24
61.	Sheet Metal Screw, No. 10 x 3/8"	510-1000	36	510-1000	54	510-1000	72	510-1000	36	510-1000	54
62.	Side Vertical Shim	341-1274	8	341-1274	12	341-1274	16	341-1274	8	341-1274	12

\*Screws are available in most hardware stores.

\*\*For additional patch kits order Part No. 0-5604-000.

\*\*\*These stabilizers are 43 1/4" long and are used on the sides between the buttresses. Use all remaining small and large stabilizers on the ends of the pool.

\*\*\*\*Write the number of your liner in the spaces provided here and above. #\_\_\_\_\_.

# Adobe Canyon Oval Pool— Parts List

ITEM #	DESCRIPTION	32' x 16' x 48"		34' x 18' x 48"		38' x 18' x 48"		41' x 21' x 48"	
		PART #	QTY.	PART #	QTY.	PART#	QTY.	PART#	QTY.
	<b>ASSEMBLY PACK</b>	0-9926-704	1	0-9948-704	1	0-9988-704	1	0-9911-704	1
1.	Plastic Coping, 24"	545-1001	44	545-1001	46	545-1001	50	545-1001	55
2.	Vertical End Cap	580-1619	24	580-1619	28	580-1619	28	580-1619	32
3.	Side Vertical Cap	580-1887	8	580-1887	8	580-1887	10	580-1887	10
4.	Vertical Center Section	580-1670	12	580-1670	14	580-1670	14	580-1670	16
5.	Stabilizer Rail, small dia.	583-1012	10	583-1012	10	583-1012	10	583-1004	12
6.	Stabilizer Rail, large dia.							583-1005	10
***6A.	Stabilizer Rail, large dia.	583-1011	14	583-1011	16	583-1011	18	583-1011	8
7.	Bottom Rail (Stamped 16, 18 or 21)	589-1047	10	589-1048	16	589-1048	16	589-1049	14
8.	Side Rail (Stamped S)	589-1052	6	589-1052	6	589-1052	8	589-1052	8
9.	Transition Rail (Stamped TR)	589-1053	4					589-1053	4
10.	6" Outer Connector (Ends)	580-1671	12	580-1671	14	580-1671	14	580-1671	16
11.	Outer Connector Bracket	580-1629	8	580-1629	8	580-1629	10	580-1629	10
12.	Inner Connector	5186-1187	20	5186-1187	22	5186-1187	24	5186-1187	26
13.	Outer Connector, 6" x 3" (Side)	580-1695	8	580-1695	8	580-1695	10	580-1695	10
*14.	#10 x 3/8" Lg. Hex Washer Hd. Screw	510-1000	228	510-1000	258	510-1000	276	510-1000	298
*15.	Machine Screw, #10-24 x 1/2" pan head	510-1008	8	510-1008	8	510-1008	10	510-1008	10
*16.	Square Nut, #10-24	321-1025	8	321-1025	8	321-1025	10	321-1025	10
17.	Pool Parts List	573-2798	1	573-2798	1	573-2798	1	573-2798	1
18.	Pool Installation Instructions	573-2793	1	573-2793	1	573-2793	1	573-2793	1
19.	"Read Me First" Booklet	573-2777	1	573-2777	1	573-2777	1	573-2777	1
20.	"Enjoy Your Pool" Booklet	573-2743	1	573-2743	1	573-2743	1	573-2743	1
21.	"Safety First" Booklet	573-2778	1	573-2778	1	573-2778	1	573-2778	1
22.	"Children Aren't . . ." Brochure	573-2338	1	573-2338	1	573-2338	1	573-2338	1
23.	"Pool & Spa . . ." Brochure	573-2393	1	573-2393	1	573-2393	1	573-2393	1
24.	Warranty Card - Metal	—	1	—	1	—	1	—	1
25.	Product Registration Card	565-1117	1	565-1117	1	565-1117	1	565-1117	1
	<b>TOP RAIL PACK</b>	0-9810-702	2	0-9810-702	1	0-9812-702	2	0-9812-702	1
26.	Top Rail	587-1219	20	0-9812-702	1	587-1219	24	0-9814-702	1
	<b>POOL LINER CARTON</b>								
****27.	Pool Liner	0-3216-___	1	0-3418-___	1	0-3818-___	1	0-4121-___	1
28.	Chlorine/Winterizing Instructions	573-2421	1	573-2421	1	573-2421	1	573-2421	1
29.	"Warning" Decal	560-1041	3	560-1041	3	560-1041	3	560-1041	3
30.	Warranty Card - Liner	—	1	—	1	—	1	—	1
**31.	Repair Patch	564-1000	1	564-1000	1	564-1000	1	564-1000	1
32.	"Deeper Area" Decal	560-1042	2	560-1042	2	560-1042	2	560-1042	2
33.	"Shallow" Decal	560-1043	3	560-1043	3	560-1043	3	60-1043	3
34.	"Read Me First" Booklet	573-2777	1	573-2777	1	573-2777	1	573-2777	1
	<b>SIDEWALL CARTON</b>								
35.	Sidewall	0-0708-026	2	0-0708-048	2	0-0708-088	2	0-0708-011	2
36.	Joint Piece	580-1002	2	580-1002	2	580-1002	2	580-1002	2
37.	Large Cover Plate	580-1898	2	580-1898	2	580-1898	2	580-1898	2
38.	Small Cover Plate	580-1897	2	580-1897	2	580-1897	2	580-1897	2
39.	Warranty Card - Metal	—	2	—	2	—	2	—	2
40.	"Warning" Sign	560-1046	2	560-1046	2	560-1046	2	560-1046	2
41.	"Read Me First" Booklet	573-2777	2	573-2777	2	573-2777	2	573-2777	2
42.	Black Marking Pen	332-1079	2	332-1079	2	332-1079	2	332-1079	2
43.	Adhesive Squares	310-1034	12	310-1034	12	310-1034	12	310-1034	12
44.	Safety Video	573-2500	2	573-2500	2	573-2500	2	573-2500	2
	<b>VERTICAL PACK</b>	0-9712-702	1	0-9714-702	1	0-9714-702	1	0-9716-702	1
45.	Vertical Side Section	580-1669	24	580-1669	28	580-1669	28	580-1669	32
	<b>SUPPORT PACK 2 — CARTON</b>					0-8888-092	1	0-8888-092	1
	<b>SUPPORT PACK 4 — CARTON</b>	0-8888-094	2	0-8888-094	2	0-8888-094	2	0-8888-094	2
46.	Vertical Brace - Right	580-1893	8	580-1893	8	580-1893	10	580-1893	10
47.	Vertical Brace - Left	580-1894	8	580-1894	8	580-1894	10	580-1894	10
48.	Support Vertical	580-1895	8	580-1895	8	580-1895	10	580-1895	10
49.	Skid Support	580-1779	8	580-1779	8	580-1779	10	580-1779	10
50.	Ground Support - Top	580-1851	8	580-1851	8	580-1851	10	580-1851	10
51.	Ground Support - Bottom	580-1852	8	580-1852	8	580-1852	10	580-1852	10
52.	Vertical Spacer	341-1257	24	341-1257	24	341-1257	30	341-1257	30
53.	Pressure Pad - Outside	580-1869	8	580-1869	8	580-1869	10	580-1869	10
54.	Pressure Pad - Side Vertical	580-1870	8	580-1870	8	580-1870	10	580-1870	10
55.	Bottom Rail Locator	580-1792	8	580-1792	8	580-1792	10	580-1792	10
*56.	Sheet Metal Screw, No. 12 x 3/4"	510-1035	48	510-1035	48	510-1035	60	510-1035	60
*57.	Hex Head Bolt, 3/8 - 16 x 3-1/2"	330-1220	64	330-1220	64	330-1220	80	330-1220	80
*58.	Hex Nut, 3/8 - 16	321-1069	64	321-1069	64	321-1069	80	321-1069	80
*59.	Hex Head Screw, 1/4 - 20 x 1/2"	510-1018	32	510-1018	32	510-1018	40	510-1018	40
60.	Hex Nut 1/4 - 20	511-1000	32	511-1000	32	511-1000	40	511-1000	40
61.	Sheet Metal Screw, No. 10 x 3/8"	510-1000	72	510-1000	72	510-1000	90	510-1000	90
62.	Side Vertical Shim	341-1274	16	341-1274	16	341-1274	20	341-1274	20

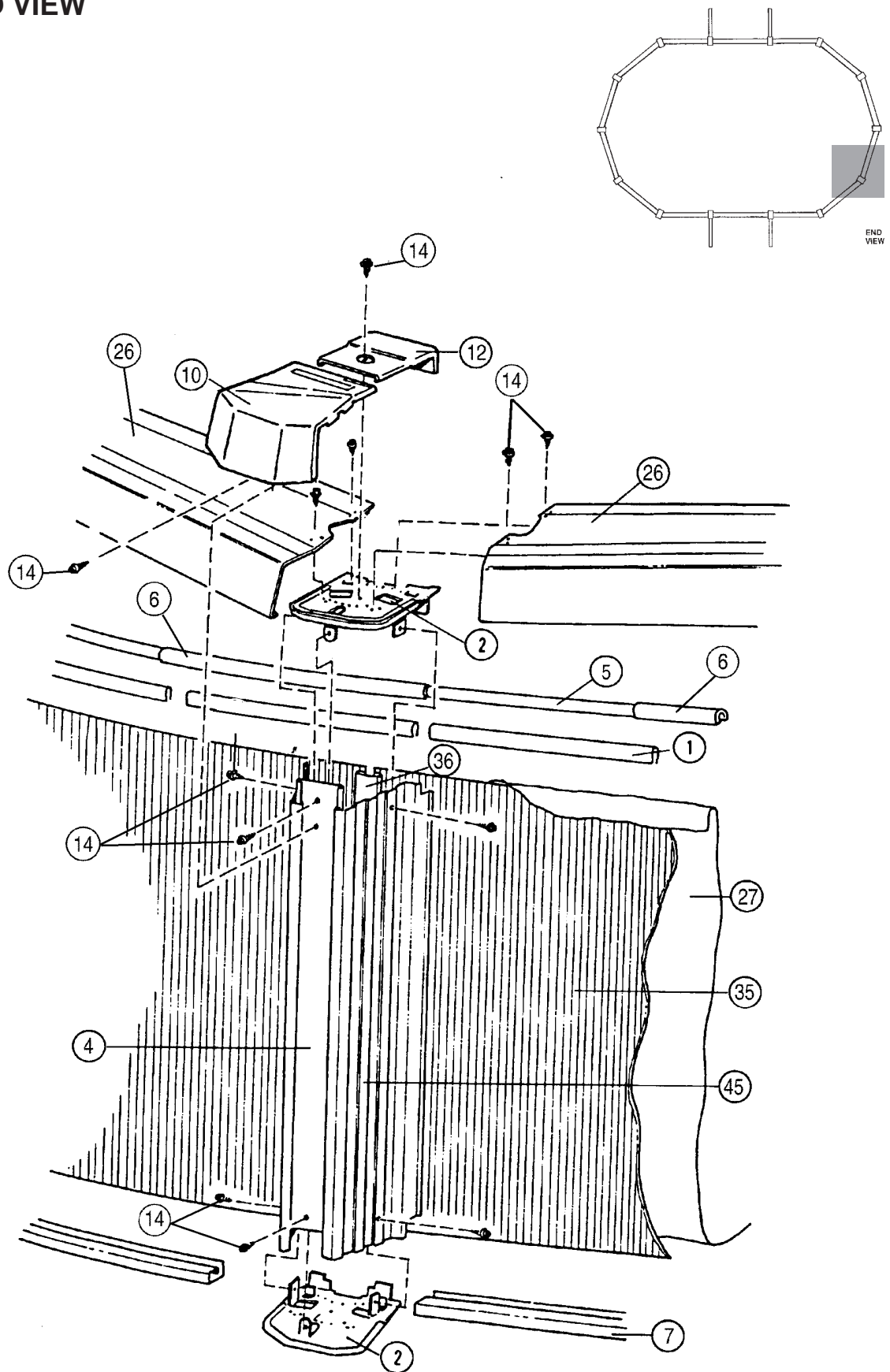
\*Screws are available in most hardware stores.

\*\*For additional patch kits order Part No. 0-5604-000.

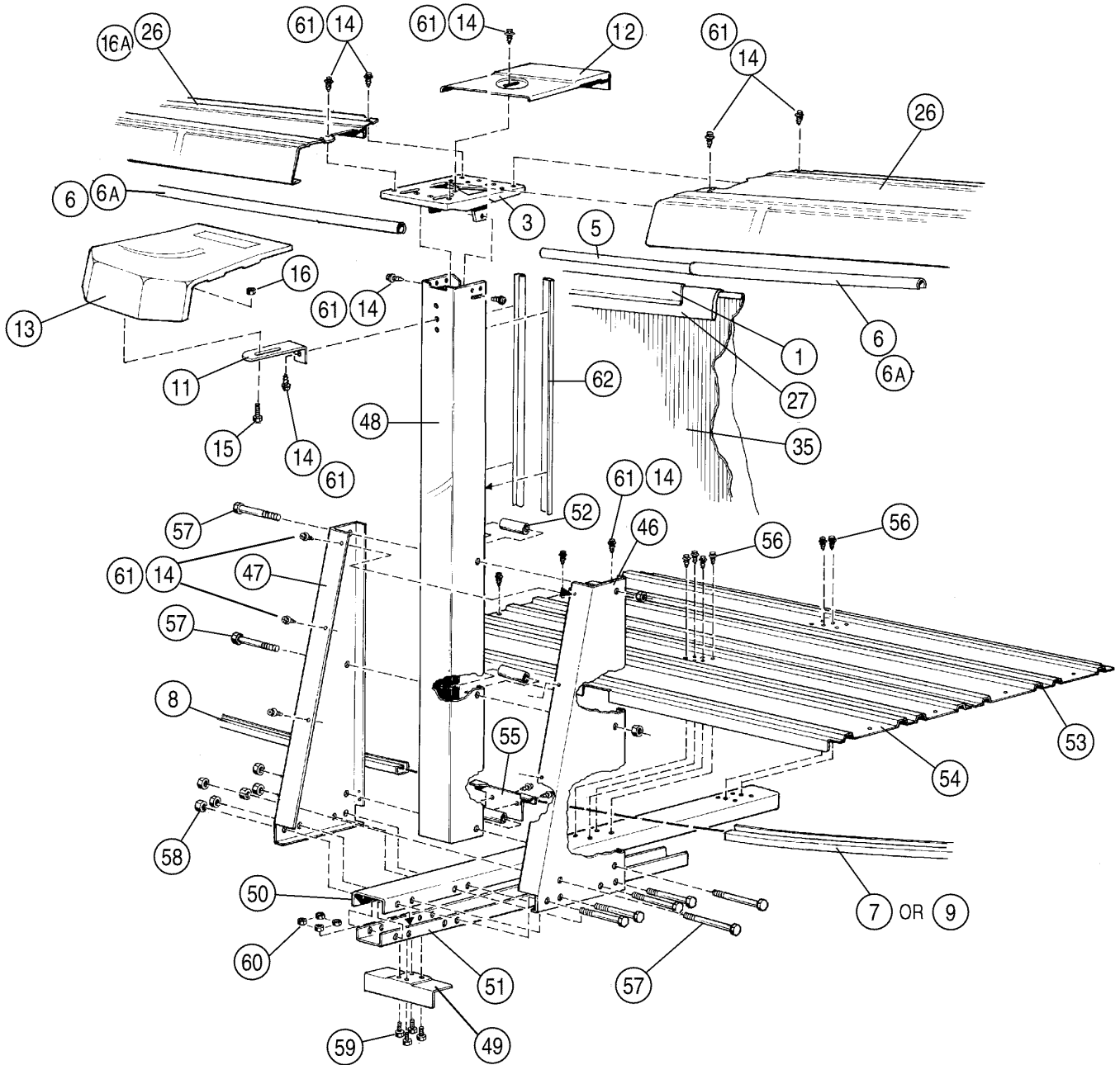
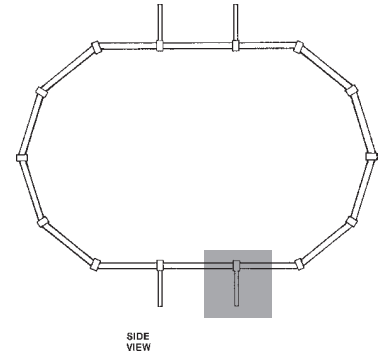
\*\*\*These stabilizers are 43 1/4" long and are used on the sides between the buttresses. Use all remaining small and large stabilizers on the ends of the pool.

\*\*\*\*Write the number of your liner in the spaces provided here and above. #\_\_\_\_\_.

# EXPLODED VIEW



# EXPLODED VIEW





**Important!** Above-ground pools are designed for swimming and wading only. Do not Dive or Jump! Misuse of your pool may result in crippling injury and/or other dangers to life and health. Do not use slides, diving boards, or any other platform or object which can be used for improper pool entry. Use only an above-ground swimming pool ladder to enter or exit your pool. It is the pool owner's responsibility to secure the pool against unauthorized, unsupervised or unintentional entry. It is also the pool owner's responsibility to warn all pool users of the hazards of diving into shallow water: paralyzing injury may result. Always obey all safety rules. Remember, pool safety is everybody's responsibility.

Change of Design: Doughboy Recreational expressly reserves the right to change or modify the design and construction of any product in due course of their manufacturing procedures, without incurring any obligation to furnish or install such changes or modifications on products previously or subsequently sold.

"the original portable pool"  
**doughboy**<sup>®</sup>

**DOUGHBOY RECREATIONAL • 10959 Jersey Blvd. • Rancho Cucamonga, CA 91730**

DB 695-017

Made in the United States of America

Copyright © 1995