



Timberline

Strap Oval Pool

Parts List



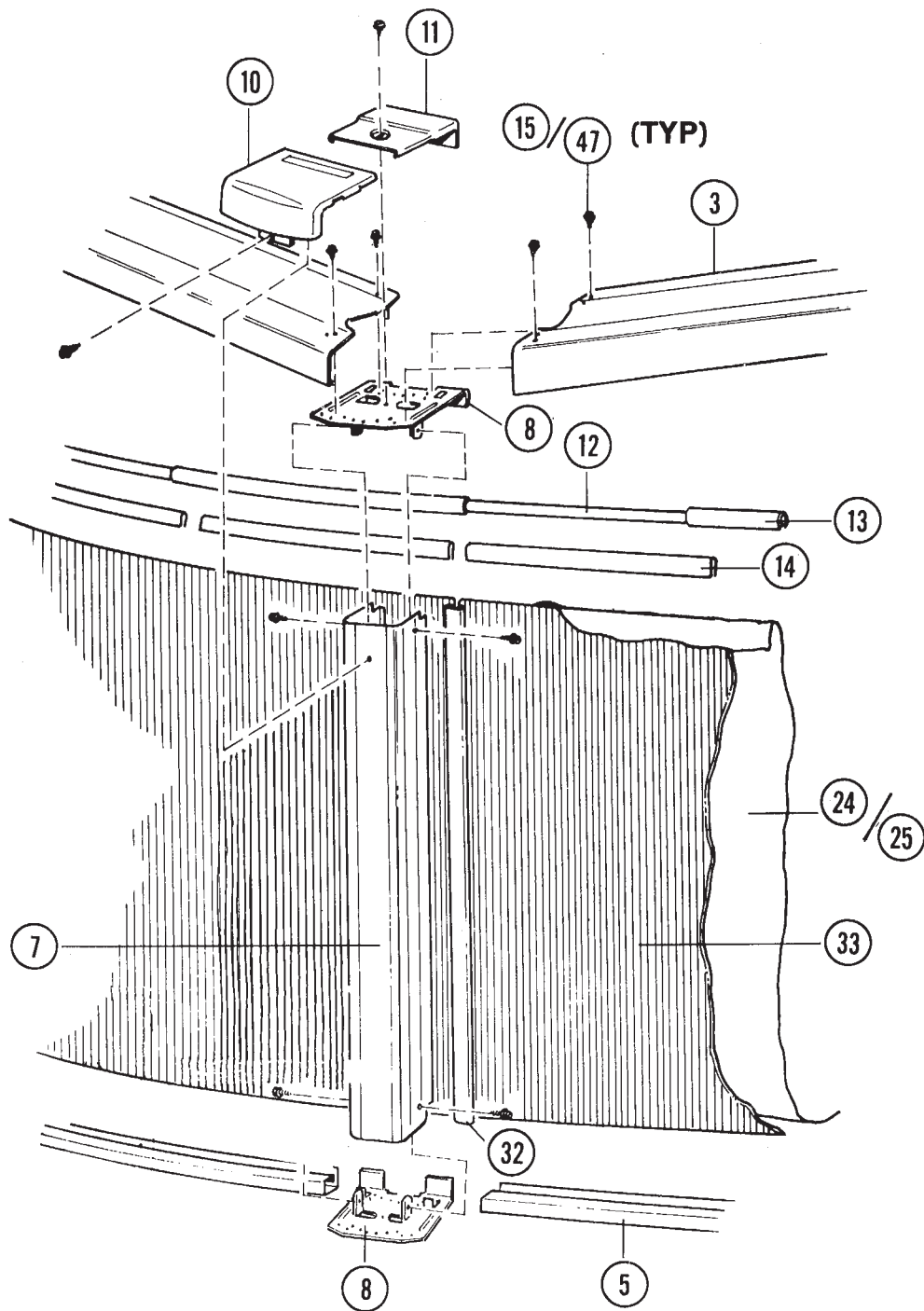
Timberline Strap Oval Pool — Parts List

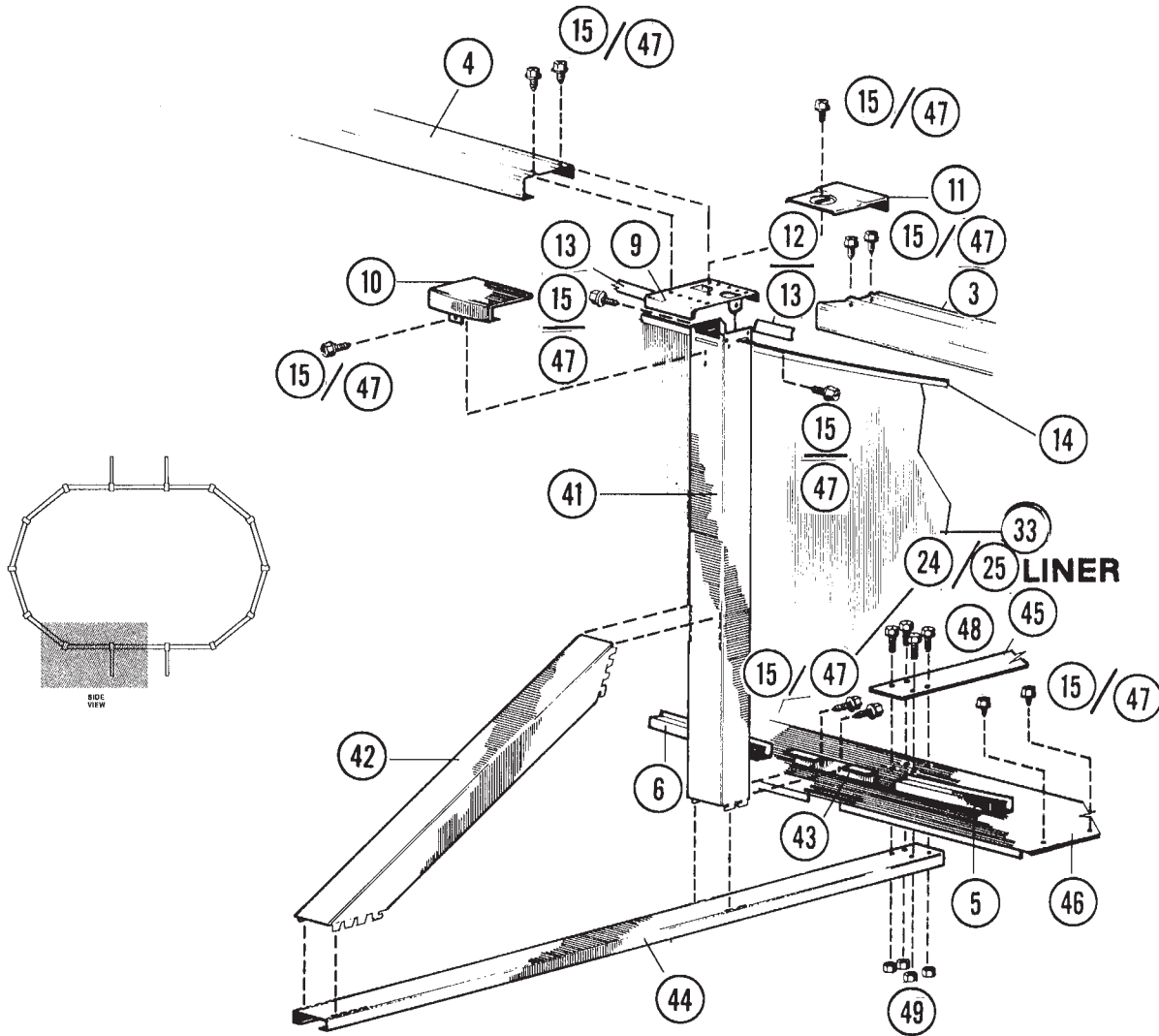
ITEM #	DESCRIPTION	20' x 12' x 48"		24' x 12' x 48"		28' x 12' x 48"		32' x 12' x 48"		40' x 12' x 48"		44' x 12' x 48"	
		PART #	QTY.	PART #	QTY.	PART #	QTY.	PART #	QTY.	PART #	QTY.	PART #	QTY.
	FRAME PACK "A" CARTON	0-9402-017	1	0-9442-017	1	0-9410-017	1	0-9422-017	1	0-9440-017	1	0-9444-017	1
1.	Pool Parts List	573-2452	1	573-2452	1	573-2452	1	573-2452	1	573-2452	1	573-2452	1
2.	Pool Installation Instructions	573-2468	1	573-2468	1	573-2468	1	573-2468	1	573-2468	1	573-2468	1
3.	Top Rail	587-1054	12	587-1054	12	587-1054	12	587-1054	12	587-1054	12	587-1054	12
4.	Side Top Rail	587-1052	2	587-1052	4	587-1052	6	587-1052	8	587-1052	12	587-1052	14
5.	Bottom Rail (Stamped 12)	589-1046	12	589-1046	12	589-1046	12	589-1046	12	589-1046	12	589-1046	12
6.	Side Rail (Stamped S)	589-1052	2	589-1052	4	589-1052	6	589-1052	8	589-1052	12	589-1052	14
7.	Vertical	580-1156	10	580-1156	10	580-1156	10	580-1156	10	580-1156	10	580-1156	10
8.	Vertical End Cap	580-1146	20	580-1146	20	580-1146	20	580-1146	20	580-1146	20	580-1146	20
9.	Side Seat 4" Connector	580-1079	4	580-1079	6	580-1079	8	580-1079	10	580-1079	14	580-1079	16
10.	4" Outer Connector	580-1546	14	580-1546	16	580-1546	18	580-1546	20	580-1546	24	580-1546	26
11.	Inner Connector	5186-1186	14	5186-1186	16	5186-1186	18	5186-1186	20	5186-1186	24	5186-1186	26
12.	Stabilizer Rail, small dia.	583-1012	8	583-1012	8	583-1012	8	583-1012	8	583-1012	8	583-1012	8
13.	Stabilizer Rail, large dia.	583-1011	10	583-1011	12	583-1011	14	583-1011	16	583-1011	20	583-1011	22
14.	Plastic Coping, 24"	545-1001	28	545-1001	31	545-1001	35	545-1001	39	545-1001	47	545-1001	51
*15.	Sheet Metal Screw #10 x 3/8" Hexwasher Head, Type AB	510-1000	100	510-1000	100	510-1000	100	510-1000	100	510-1000	100	510-1000	100
16.	"Read Me First" Booklet	573-2417	1	573-2417	1	573-2417	1	573-2417	1	573-2417	1	573-2417	1
17.	"Enjoy Your Pool" Booklet	573-2124	1	573-2124	1	573-2124	1	573-2124	1	573-2124	1	573-2124	1
18.	"Safety First" Booklet	573-2418	1	573-2418	1	573-2418	1	573-2418	1	573-2418	1	573-2418	1
19.	"Children Aren't . . ." Brochure	573-2338	1	573-2338	1	573-2338	1	573-2338	1	573-2338	1	573-2338	1
20.	"Pool & Spa . . ." Brochure	573-2393	1	573-2393	1	573-2393	1	573-2393	1	573-2393	1	573-2393	1
21.	Warranty Card	565-1095	1	565-1095	1	565-1095	1	565-1095	1	565-1095	1	565-1095	1
22.	Product Registration Card	565-1090	1	565-1090	1	565-1090	1	565-1090	1	565-1090	1	565-1090	1
	POOL LINER CARTON												
23.	Chlorine/Winterizing Instructions	573-2421	1	573-2421	1	573-2421	1	573-2421	1	573-2421	1	573-2421	1
***24.	Pool Liner — 15 Mil (Standard)	0-2012-715	1	0-2412-715	1	0-2812-715	1	0-3212-715	1				
***25.	Pool Liner — 20 Mil (Standard)									0-4012-720	1	0-4412-720	1
26.	"Warning" Decal	560-1041	3	560-1041	3	560-1041	3	560-1041	3	560-1041	3	560-1041	3
27.	Warranty Card — 15 Mil	565-1081	1	565-1081	1	565-1081	1	565-1081	1				
28.	Warranty Card — 20 Mil									565-1082	1	565-1082	1
**29.	Repair Patch	564-1000	1	564-1000	1	564-1000	1	564-1000	1	564-1000	1	564-1000	1
30.	"Shallow" Decal	560-1043	3	560-1043	3	560-1043	3	560-1043	3	560-1043	3	560-1043	3
31.	"Read Me First" Booklet	573-2417	1	573-2417	1	573-2417	1	573-2417	1	573-2417	1	573-2417	1
	SIDEWALL CARTON												
32.	Joint Piece	580-1002	1	580-1002	1	580-1002	1	580-1002	2	580-1002	2	580-1002	2
33.	Sidewall	0-0008-002	1	0-0008-042	1	0-0008-010	1	0-0008-022	2	0-0008-040	2	0-0008-044	2
34.	Large Cover Plate	580-1242	1	580-1242	1	580-1242	1	580-1242	2	580-1242	2	580-1242	2
35.	Small Cover Plate	580-1241	1	580-1241	1	580-1241	1	580-1241	2	580-1241	2	580-1241	2
36.	Warranty Card	565-1095	1	565-1095	1	565-1095	1	565-1095	2	565-1095	2	565-1095	2
37.	"Warning" Sign	560-1046	1	560-1046	1	560-1046	1	560-1046	2	560-1046	2	560-1046	2
38.	"Read Me First" Booklet	573-2417	1	573-2417	1	573-2417	1	573-2417	2	573-2417	2	573-2417	2
39.	Black Marking Pen	332-1079	1	332-1079	1	332-1079	1	332-1079	2	332-1079	2	332-1079	2
40.	Adhesive Squares	310-1034	6	310-1034	6	310-1034	6	310-1034	12	310-1034	12	310-1034	12
	SUPPORT PACK 4 — CARTON	0-8495-014	1			0-8495-014	2	0-8495-014	1	0-8495-014	2	0-8495-014	1
	SUPPORT PACK 6 — CARTON			0-8495-016	1			0-8495-016	1	0-8495-016	1	0-8495-016	2
41.	Side Vertical	580-1202	4	580-1202	6	580-1202	8	580-1202	10	580-1202	14	580-1202	16
42.	Vertical Brace	580-1208	4	580-1208	6	580-1208	8	580-1208	10	580-1208	14	580-1208	16
43.	Bottom Rail Connector	580-1135	4	580-1135	6	580-1135	8	580-1135	10	580-1135	14	580-1135	16
44.	Foundation Beam	580-1200	4	580-1200	6	580-1200	8	580-1200	10	580-1200	14	580-1200	16
45.	Tension Strap	580-1225	2	580-1225	3	580-1225	4	580-1225	5	580-1225	7	580-1225	8
46.	Pressure Pad	580-1273	4	580-1273	6	580-1273	8	580-1273	10	580-1273	14	580-1273	16
*47.	Sheet Metal Screw, #10 x 3/8", Type AB	510-1000	48	510-1000	72	510-1000	96	510-1000	120	510-1000	168	510-1000	192
*48.	High Strength Bolt 1/4"-20 x 1/2" hex head	510-1018	16	510-1018	24	510-1018	32	510-1018	40	510-1018	56	510-1018	64
*49.	Hex Nut, 1/4"-20	511-1000	16	511-1000	24	511-1000	32	511-1000	40	511-1000	56	511-1000	64

*Screws are available in most hardware stores.

**For additional patch kits order Part No. 0-5604-000.

***If you have received a liner other than the one listed above, write the number of your liner in the space provided. # _____.





Change of Design: Doughboy Recreational expressly reserves the right to change or modify the design and construction of any product in due course of our manufacturing procedures, without incurring any obligation or liability to furnish or install such changes or modifications on products previously or subsequently sold.

"the original portable pool"

doughboy®

DOUGHBOY RECREATIONAL • 10959 JERSEY BLVD • RANCHO CUCAMONGA, CA 91730

DB 689-077

Made in the United States of America

Copyright © 1989