



Timberline

Buttress Oval Pool

Parts List



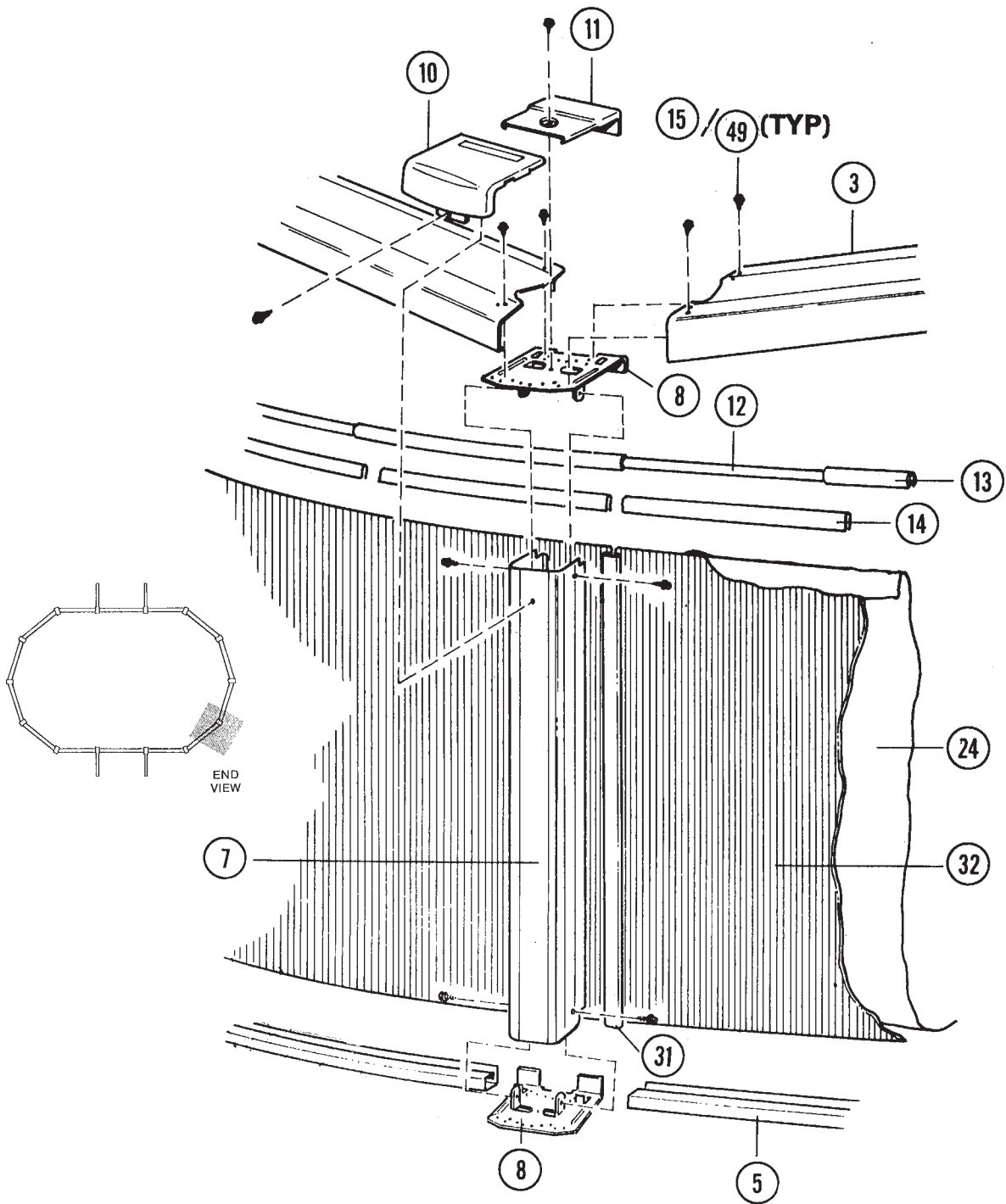
Timberline Buttress Oval Pool — Parts List

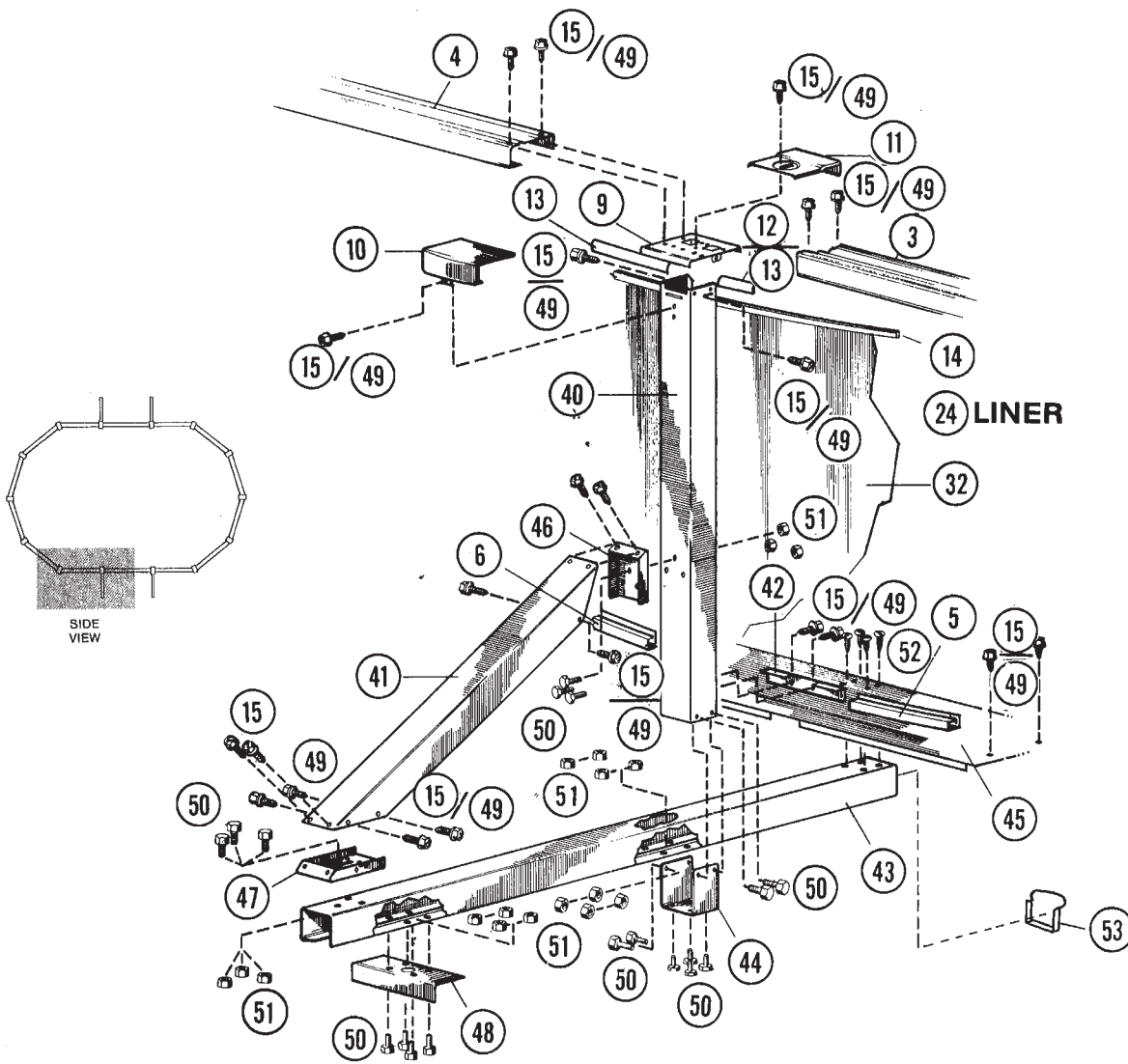
ITEM #	DESCRIPTION	20' x 12' x 48"		24' x 12' x 48"		28' x 12' x 48"		32' x 12' x 48"	
		PART #	QTY.	PART #	QTY.	PART #	QTY.	PART #	QTY.
	FRAME PACK "A" CARTON	0-9402-041	1	0-9442-041	1	0-9410-041	1	0-9422-041	1
1.	Pool Parts List	573-2453	1	573-2453	1	573-2453	1	573-2453	1
2.	Pool Installation Instructions	573-2469	1	573-2469	1	573-2469	1	573-2469	1
3.	Top Rail	587-1054	12	587-1054	12	587-1054	12	587-1054	12
4.	Side Top Rail	587-1052	2	587-1052	4	587-1052	6	587-1052	8
5.	Bottom Rail (Stamped 12)	589-1046	12	589-1046	12	589-1046	12	589-1046	12
6.	Bottom Rail, side (Stamped S)	589-1052	2	589-1052	4	589-1052	6	589-1052	8
7.	Vertical	580-1156	10	580-1156	10	580-1156	10	580-1156	10
8.	Vertical End Cap	580-1146	20	580-1146	20	580-1146	20	580-1146	20
9.	Side Vertical End Cap	580-1079	4	580-1079	6	580-1079	8	580-1079	10
10.	4" Outer Connector	580-1546	14	580-1546	16	580-1546	18	580-1546	20
11.	Inner Connector	5186-1186	14	5186-1186	16	5186-1186	18	5186-1186	20
12.	Stabilizer Rail, small dia.	583-1012	8	583-1012	8	583-1012	8	583-1012	8
13.	Stabilizer Rail, large dia.	583-1011	10	583-1011	12	583-1011	14	583-1011	16
14.	Plastic Coping, 24"	545-1001	28	545-1001	31	545-1001	35	545-1001	39
*15.	Sheet Metal Screw #10 x 3/8" Type AB	510-1000	100	510-1000	100	510-1000	100	510-1000	100
16.	"Read Me First" Booklet	573-2417	1	573-2417	1	573-2417	1	573-2417	1
17.	"Enjoy Your Pool" Booklet	573-2124	1	573-2124	1	573-2124	1	573-2124	1
18.	"Safety First" Booklet	573-2418	1	573-2418	1	573-2418	1	573-2418	1
19.	"Children Aren't . . ." Brochure	573-2338	1	573-2338	1	573-2338	1	573-2338	1
20.	"Pool & Spa . . ." Brochure	573-2393	1	573-2393	1	573-2393	1	573-2393	1
21.	Warranty Card	565-1095	1	565-1095	1	565-1095	1	565-1095	1
22.	Product Registration Card	565-1090	1	565-1090	1	565-1090	1	565-1090	1
	POOL LINER CARTON								
23.	Chlorine/Winterizing Instructions	573-2421	1	573-2421	1	573-2421	1	573-2421	1
***24.	Pool Liner — 20 Mil (Standard)	0-2012-720	1	0-2412-720	1	0-2812-720	1	0-3212-720	1
25.	"Warning" Decal	560-1041	3	560-1041	3	560-1041	3	560-1041	3
26.	Warranty Card	565-1082	1	565-1082	1	565-1082	1	565-1082	1
**27.	Repair Patch	564-1000	1	564-1000	1	564-1000	1	564-1000	1
28.	"Deeper Area" Decal	560-1042	2	560-1042	2	560-1042	2	560-1042	2
29.	"Shallow" Decal	560-1043	3	560-1043	3	560-1043	3	560-1043	3
30.	"Read Me First" Booklet	573-2417	1	573-2417	1	573-2417	1	573-2417	1
	SIDEWALL CARTON								
31.	Joint Piece	580-1002	1	580-1002	1	580-1002	1	580-1002	2
32.	Sidewall	0-0008-002	1	0-0008-042	1	0-0008-010	1	0-0008-022	2
33.	Large Cover Plate	580-1242	1	580-1242	1	580-1242	1	580-1242	2
34.	Small Cover Plate	580-1241	1	580-1241	1	580-1241	1	580-1241	2
35.	Warranty Card	565-1095	1	565-1095	1	565-1095	1	565-1095	2
36.	"Warning" Sign	560-1046	1	560-1046	1	560-1046	1	560-1046	2
37.	"Read Me First" Booklet	573-2417	1	573-2417	1	573-2417	1	573-2417	2
38.	Black Marking Pen	332-1079	1	332-1079	1	332-1079	1	332-1079	2
39.	Adhesive Squares	310-1034	6	310-1034	6	310-1034	6	310-1034	12
	SUPPORT PACK 4 — CARTON	0-8888-012	1			0-8888-012	2	0-8888-012	1
	SUPPORT PACK 6 — CARTON			0-8888-016	1			0-8888-016	1
40.	Side Vertical	580-1169	4	580-1169	6	580-1169	8	580-1169	10
41.	Vertical Brace	580-1173	4	580-1173	6	580-1173	8	580-1173	10
42.	Bottom Rail Connector	580-1135	4	580-1135	6	580-1135	8	580-1135	10
43.	Horizontal Support	580-1275	4	580-1275	6	580-1275	8	580-1275	10
44.	Support Bracket	580-1136	4	580-1136	6	580-1136	8	580-1136	10
45.	Pressure Pad	580-1273	4	580-1273	6	580-1273	8	580-1273	10
46.	Brace, Connector — short	580-1176	4	580-1176	6	580-1176	8	580-1176	10
47.	Brace, Connector — long	580-1051	4	580-1051	6	580-1051	8	580-1051	10
48.	Skid Plate	580-1063	4	580-1063	6	580-1063	8	580-1063	10
*49.	Sheet Metal Screw, #10 x 3/8", Type AB	510-1000	92	510-1000	138	510-1000	184	510-1000	230
*50.	High Strength Bolt 1/4"-20 x 1/2", hex head	510-1018	72	510-1018	108	510-1018	144	510-1018	180
*51.	Hex Nut, 1/4-20	511-1000	72	511-1000	108	511-1000	144	511-1000	180
*52.	Hex Washered/Sheet Metal Screw, No. 12 x 3/4"	510-1035	16	510-1035	24	510-1035	32	510-1035	40
53.	Horizontal End Cap	580-1412	4	580-1412	6	580-1412	8	580-1412	10

*Screws are available in most hardware stores.

**For additional patch kits order Part No. 0-5604-000.

***If you have received a liner other than the one listed above, write the number of your liner in the space provided. # _____





Change of Design: Doughboy Recreational expressly reserves the right to change or modify the design and construction of any product in due course of our manufacturing procedures, without incurring any obligation or liability to furnish or install such changes or modifications on products previously or subsequently sold.

"the original portable pool"

doughboy®

DOUGHBOY RECREATIONAL • 10959 JERSEY BLVD • RANCHO CUCAMONGA, CA 91730

DB 689-075

Made in the United States of America

Copyright © 1989