

"the original portable pool"
doughboy®

Timberline

Round Pool

Parts List



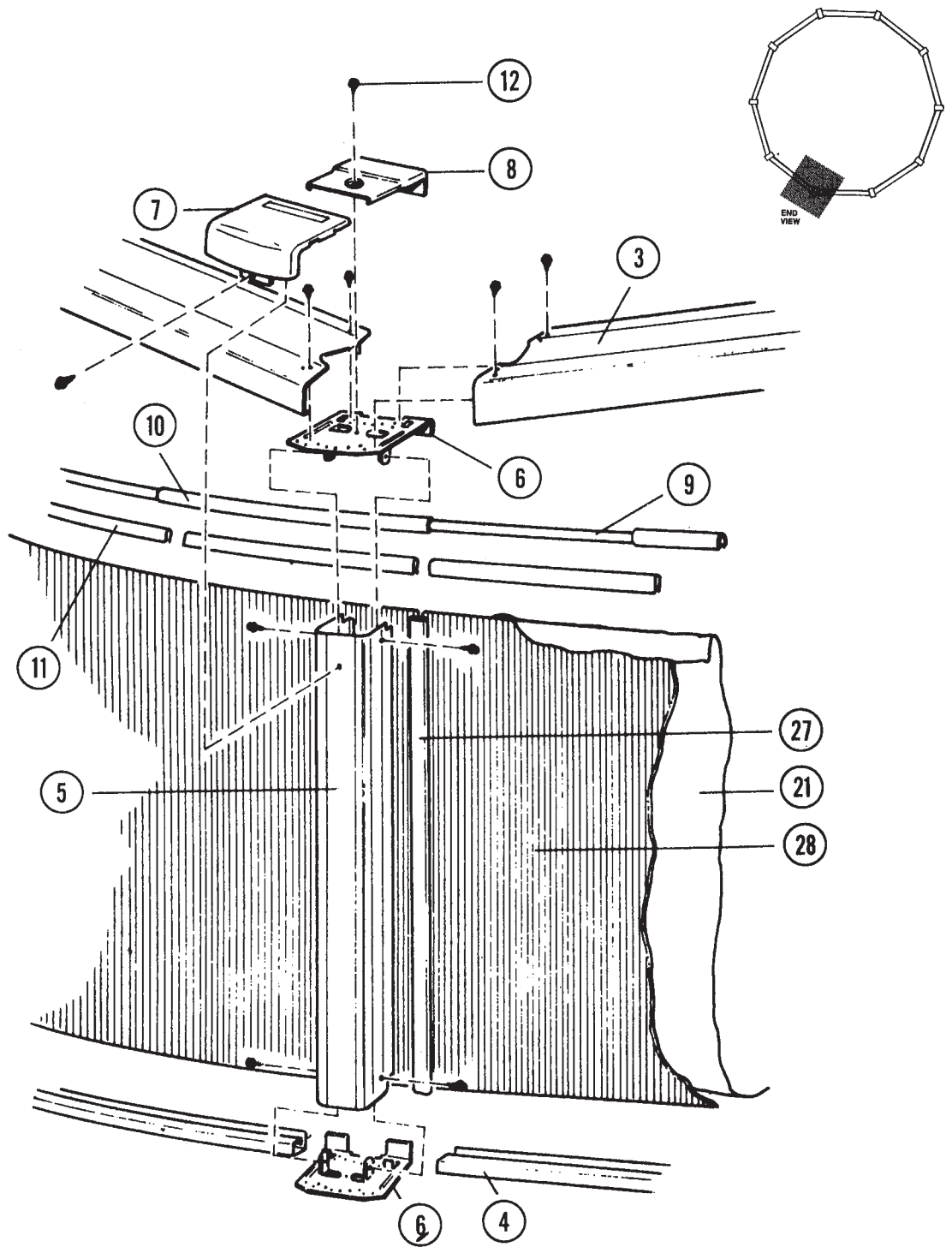
Timberline Round Pool — Parts List

ITEM #	DESCRIPTION	12' x 48"		16' x 48"		18' x 48"		21' x 48"		24' x 48"	
		PART #	QTY.	PART #	QTY.	PART #	QTY.	PART #	QTY.	PART #	QTY.
	FRAME PACK "A" CARTON	0-9412-004	1	0-9416-004	1	0-9418-004	1	0-9421-004	1	0-9424-004	1
1.	Pool Parts List	573-2451	1	573-2451	1	573-2451	1	573-2451	1	573-2451	1
2.	Pool Installation Instructions	573-2467	1	573-2467	1	573-2467	1	573-2467	1	573-2467	1
3.	Top Rail	587-1054	10	587-1050	12	587-1050	14	587-1050	16	587-1050	18
4.	Bottom Rail	589-1046	10	589-1047	12	589-1048	14	589-1049	16	589-1050	18
5.	Vertical	580-1156	10	580-1156	12	580-1156	14	580-1156	16	580-1156	18
6.	Vertical End Cap	580-1146	20	580-1146	24	580-1146	28	580-1146	32	580-1146	36
7.	4" Outer Connector	580-1546	10	580-1546	12	580-1546	14	580-1546	16	580-1546	18
8.	Inner Connector	5186-1186	10	5186-1186	12	5186-1186	14	5186-1186	16	5186-1186	18
9.	Stabilizer Rail, small dia.	583-1012	6	583-1012	8	583-1012	9	583-1004	10	583-1004	11
10.	Stabilizer Rail, large dia.	583-1011	6	583-1011	8	583-1011	9	583-1005	10	583-1005	11
11.	Plastic Coping, 24"	545-1001	20	545-1001	26	545-1001	28	545-1001	33	545-1001	38
*12.	Sheet Metal Screw, #10 x 3/8", Type AB	510-1000	100	510-1000	120	510-1000	140	510-1000	160	510-1000	180
13.	"Read Me First" Booklet	573-2417	1	573-2417	1	573-2417	1	573-2417	1	573-2417	1
14.	"Enjoy Your Pool" Booklet	573-2124	1	573-2124	1	573-2124	1	573-2124	1	573-2124	1
15.	"Safety First" Booklet	573-2418	1	573-2418	1	573-2418	1	573-2418	1	573-2418	1
16.	"Children Aren't . . ." Brochure	573-2338	1	573-2338	1	573-2338	1	573-2338	1	573-2338	1
17.	"Pool & Spa . . ." Brochure	573-2393	1	573-2393	1	573-2393	1	573-2393	1	573-2393	1
18.	Warranty Card	565-1095	1	565-1095	1	565-1095	1	565-1095	1	565-1095	1
19.	Product Registration Card	565-1090	1	565-1090	1	565-1090	1	565-1090	1	565-1090	1
	POOL LINER CARTON										
20.	Chlorine/Winterizing Instructions	573-2421	1	573-2421	1	573-2421	1	573-2421	1	573-2421	1
***21.	Pool Liner — 15 Mil (Standard)	0-1248-715	1	0-1648-715	1	0-1848-715	1	0-2148-715	1	0-2448-715	1
22.	"Warning" Decal	560-1041	3	560-1041	3	560-1041	3	560-1041	3	560-1041	3
23.	Warranty Card	565-1081	1	565-1081	1	565-1081	1	565-1081	1	565-1081	1
24.	"Shallow" Decal	560-1043	3	560-1043	3	560-1043	3	560-1043	3	560-1043	3
**25.	Repair Patch	564-1000	1	564-1000	1	564-1000	1	564-1000	1	564-1000	1
26.	"Read Me First" Booklet	573-2417	1	573-2417	1	573-2417	1	573-2417	1	573-2417	1
	SIDEWALL CARTON										
27.	Joint Piece	580-1002	1	580-1002	1	580-1002	1	580-1002	1	580-1002	1
28.	Sidewall	0-0008-012	1	0-0008-016	1	0-0008-018	1	0-0008-021	1	0-0008-024	1
29.	Large Cover Plate	580-1242	1	580-1242	1	580-1242	1	580-1242	1	580-1242	1
30.	Small Cover Plate	580-1241	1	580-1241	1	580-1241	1	580-1241	1	580-1241	1
31.	Warranty Card	565-1095	1	565-1095	1	565-1095	1	565-1095	1	565-1095	1
32.	"Warning" Sign	560-1046	1	560-1046	1	560-1046	1	560-1046	1	560-1046	1
33.	"Read Me First" Booklet	573-2417	1	573-2417	1	573-2417	1	573-2417	1	573-2417	1
34.	Black Marking Pen	332-1079	1	332-1079	1	332-1079	1	332-1079	1	332-1079	1
35.	Adhesive Squares	310-1034	6	310-1034	6	310-1034	6	310-1034	6	310-1034	6

*Screws are available in most hardware stores.

**For additional patch kits order Part No. 0-5604-000.

***If you have received a liner other than the one listed above, write the number of your liner in the space provided. # _____.





Change of Design: Doughboy Recreational expressly reserves the right to change or modify the design and construction of any product in due course of our manufacturing procedures, without incurring any obligation or liability to furnish or install such changes or modifications on products previously or subsequently sold.

"the original portable pool"

doughboy®

DOUGHBOY RECREATIONAL • 10959 JERSEY BLVD • RANCHO CUCAMONGA, CA 91730

DB 689-076

Made in the United States of America

Copyright © 1989