

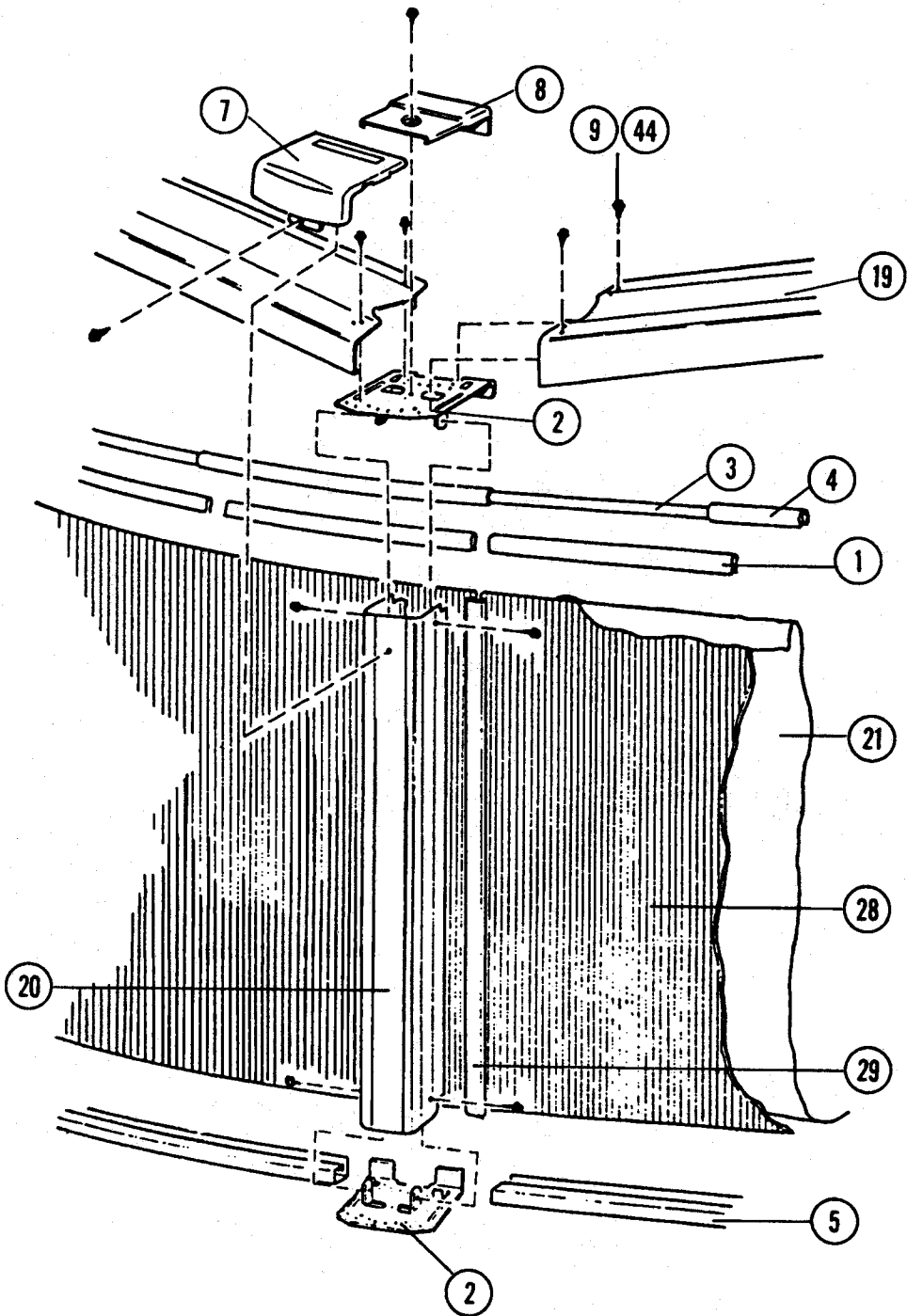
"the original portable pool"

doughboy®

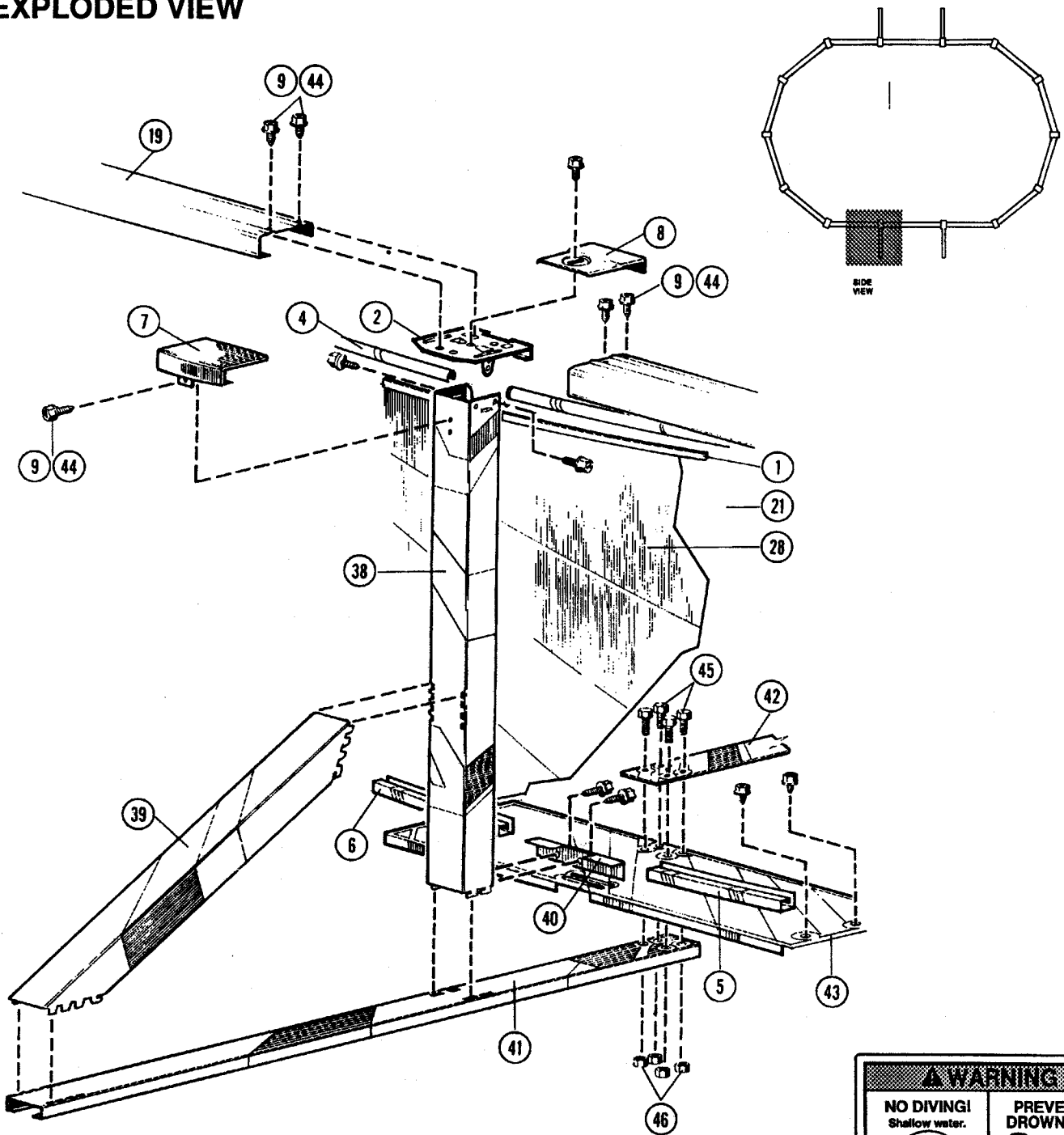
Breckenridge /


Lonepine

Strap Oval Pool



EXPLODED VIEW



WARNING	
NO DIVING! Shallow water.	PREVENT DROWNING
	
You can be permanently injured.	Watch children at all times.
RESOLAR	

Breckenridge/Lonepine Strap Oval Pool—Parts List

ITEM #	DESCRIPTION	20' x 12' x 48"		24' x 12' x 48"		28' x 12' x 48"		32' x 12' x 48"		40' x 12' x 48"		44' x 12' x 48"	
		PART #	QTY.	PART #	QTY.	PART #	QTY.	PART #	QTY.	PART #	QTY.	PART #	QTY.
	ASSEMBLY PACK	0-9902-402	1	0-9942-402	1	0-9910-402	1	0-9922-402	1	0-9940-402	1	0-9944-402	1
1.	Plastic Coping, 24"	545-1001	28	545-1001	31	545-1001	35	545-1001	39	545-1001	47	545-1001	51
2.	Vertical End Cap	580-1594	24	580-1594	26	580-1594	28	580-1594	30	580-1594	34	580-1594	36
3.	Stabilizer Rail, small dia.	583-1012	8	583-1012	8	583-1012	8	583-1012	8	583-1012	8	583-1012	8
4.	Stabilizer Rail, large dia.	583-1011	10	583-1011	12	583-1011	14	583-1011	16	583-1011	20	583-1011	22
5.	Bottom Rail (Stamped 12)	589-1046	12	589-1046	12	589-1046	12	589-1046	12	589-1046	12	589-1046	12
6.	Side Rail (Stamped S)	589-1052	2	589-1052	4	589-1052	6	589-1052	8	589-1052	12	589-1052	14
7.	4" Outer Connector	580-1660	14	580-1660	16	580-1660	18	580-1660	20	580-1660	24	580-1660	26
8.	Inner Connector	5186-1194	14	5186-1194	16	5186-1194	18	5186-1194	20	5186-1194	24	5186-1194	26
*9.	Sheet Metal Screw #10 x 3/8" Hexwasher Head, Type AB	510-1000	100	510-1000	100	510-1000	100	510-1000	100	510-1000	100	510-1000	100
10.	Pool Parts List	573-2652	1	573-2652	1	573-2652	1	573-2652	1	573-2652	1	573-2652	1
11.	Pool Installation Instructions	573-2569	1	573-2569	1	573-2569	1	573-2569	1	573-2569	1	573-2569	1
12.	"Read Me First" Booklet	573-2417	1	573-2417	1	573-2417	1	573-2417	1	573-2417	1	573-2417	1
13.	"Enjoy Your Pool" Booklet	573-2124	1	573-2124	1	573-2124	1	573-2124	1	573-2124	1	573-2124	1
14.	"Safety First" Booklet	573-2583	1	573-2583	1	573-2583	1	573-2583	1	573-2583	1	573-2583	1
15.	"Children Aren't..." Brochure	573-2338	1	573-2338	1	573-2338	1	573-2338	1	573-2338	1	573-2338	1
16.	"Pool & Spa..." Brochure	573-2393	1	573-2393	1	573-2393	1	573-2393	1	573-2393	1	573-2393	1
17.	Warranty Card - Metal	—	1	—	1	—	1	—	1	—	1	—	1
18.	Product Registration Card	565-1117	1	565-1117	1	565-1117	1	565-1117	1	565-1117	1	565-1117	1
	TOP RAIL PACK	0-9841-402	1	0-9861-402	1	0-9881-402	1	0-9801-402	2	0-9821-402	2	0-9821-402	1
19.	Top Rail	587-1215	14	587-1215	16	587-1215	18	587-1215	20	587-1215	24	587-1215	26
	VERTICAL PACK	0-9710-402	1	0-9710-402	1	0-9710-402	1	0-9710-402	1	0-9710-402	1	0-9710-402	1
20.	Vertical	580-1661	10	580-1661	10	580-1661	10	580-1661	10	580-1661	10	580-1661	10
	POOL LINER CARTON												
***21.	Pool Liner	0-2012-____	1	0-2412-____	1	0-2812-____	1	0-3212-____	1	0-4012-____	1	0-4412-____	1
22.	Chlorine/Winterizing Instructions	573-2421	1	573-2421	1	573-2421	1	573-2421	1	573-2421	1	573-2421	1
23.	"Warning" Decal	560-1041	3	560-1041	3	560-1041	3	560-1041	3	560-1041	3	560-1041	3
24.	Warranty Card - Liner	—	1	—	1	—	1	—	1	—	1	—	1
**25.	Repair Patch	564-1000	1	564-1000	1	564-1000	1	564-1000	1	564-1000	1	564-1000	1
26.	"Shallow" Decal	560-1043	3	560-1043	3	560-1043	3	560-1043	3	560-1043	3	560-1043	3
27.	"Read Me First" Booklet	573-2417	1	573-2417	1	573-2417	1	573-2417	1	573-2417	1	573-2417	1
	SIDEWALL CARTON												
28.	Sidewall - Breckenridge	0-0108-002	1	0-0108-042	1	0-0108-010	1	0-0108-022	2	0-0108-040	2	0-0108-044	2
	Sidewall - Lonepine	0-0408-002	1	0-0408-042	1	0-0408-010	1	0-0408-022	2	0-0408-040	2	0-0408-044	2
29.	Joint Piece	580-1002	1	580-1002	1	580-1002	1	580-1002	2	580-1002	2	580-1002	2
30.	Large Cover Plate - Breckenridge	580-1668	1	580-1668	1	580-1668	1	580-1668	2	580-1668	2	580-1668	2
	Large Cover Plate - Lonepine	580-1734	1	580-1734	1	580-1734	1	580-1734	2	580-1734	2	580-1734	2
31.	Small Cover Plate - Breckenridge	580-1667	1	580-1667	1	580-1667	1	580-1667	2	580-1667	2	580-1667	2
	Small Cover Plate - Lonepine	580-1733	1	580-1733	1	580-1733	1	580-1733	2	580-1733	2	580-1733	2
32.	Warranty Card - Metal	—	1	—	1	—	1	—	2	—	2	—	2
33.	"Warning" Sign	560-1046	1	560-1046	1	560-1046	1	560-1046	2	560-1046	2	560-1046	2
34.	"Read Me First" Booklet	573-2417	1	573-2417	1	573-2417	1	573-2417	2	573-2417	2	573-2417	2
35.	Black Marking Pen	332-1079	1	332-1079	1	332-1079	1	332-1079	2	332-1079	2	332-1079	2
36.	Adhesive Squares	310-1034	6	310-1034	6	310-1034	6	310-1034	12	310-1034	12	310-1034	12
37.	Safety Video	573-2500	1	573-2500	1	573-2500	1	573-2500	2	573-2500	2	573-2500	2
	SUPPORT PACK 4— CARTON	0-8495-024	1			0-8495-024	2	0-8495-024	1	0-8495-024	2	0-8495-024	1
	SUPPORT PACK 6— CARTON			0-8495-026	1			0-8495-026	1	0-8495-026	1	0-8495-026	2
38.	Side Vertical	580-1662	4	580-1662	6	580-1662	8	580-1662	10	580-1662	14	580-1662	16
39.	Vertical Brace	580-1663	4	580-1663	6	580-1663	8	580-1663	10	580-1663	14	580-1663	16
40.	Bottom Rail Connector	580-1135	4	580-1135	6	580-1135	8	580-1135	10	580-1135	14	580-1135	16
41.	Foundation Beam	580-1200	4	580-1200	6	580-1200	8	580-1200	10	580-1200	14	580-1200	16
42.	Tension Strap	580-1225	2	580-1225	3	580-1225	4	580-1225	5	580-1225	7	580-1225	8
43.	Pressure Pad	580-1273	4	580-1273	6	580-1273	8	580-1273	10	580-1273	14	580-1273	16
*44.	Sheet Metal Screw #10 x 3/8", Type AB	510-1000	48	510-1000	72	510-1000	96	510-1000	120	510-1000	168	510-1000	192
*45.	High Strength Bolt 1/4"-20 x 1/2", hex head	510-1018	16	510-1018	24	510-1018	32	510-1018	40	510-1018	56	510-1018	64
*46.	Hex Nut, 1/4"-20	511-1000	16	511-1000	24	511-1000	32	511-1000	40	511-1000	56	511-1000	64

*Screws are available in most hardware stores.

**For additional patch kits order Part No. 0-5604-000.

***Write the number of your liner in the spaces provided here and above. # _____

2652