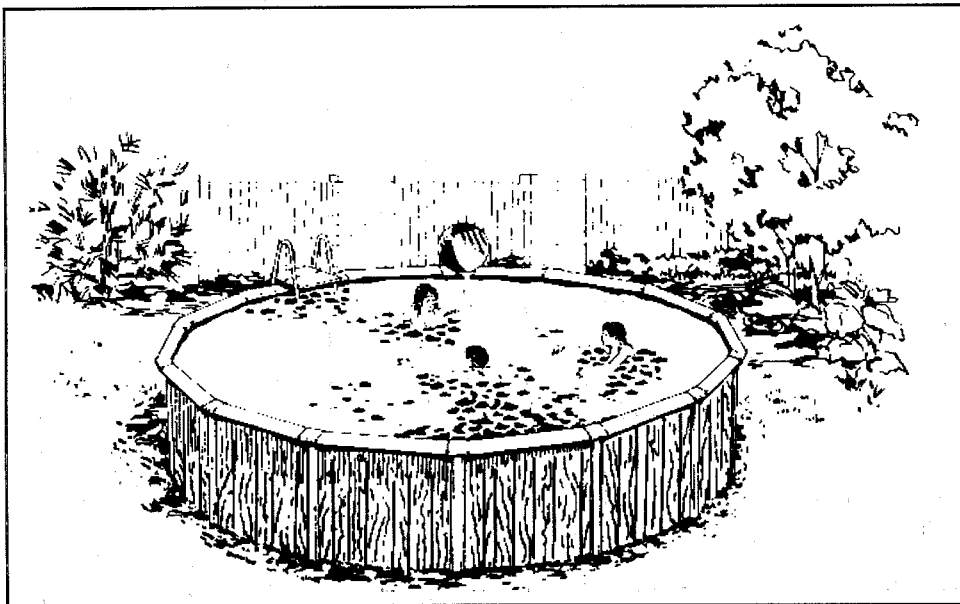


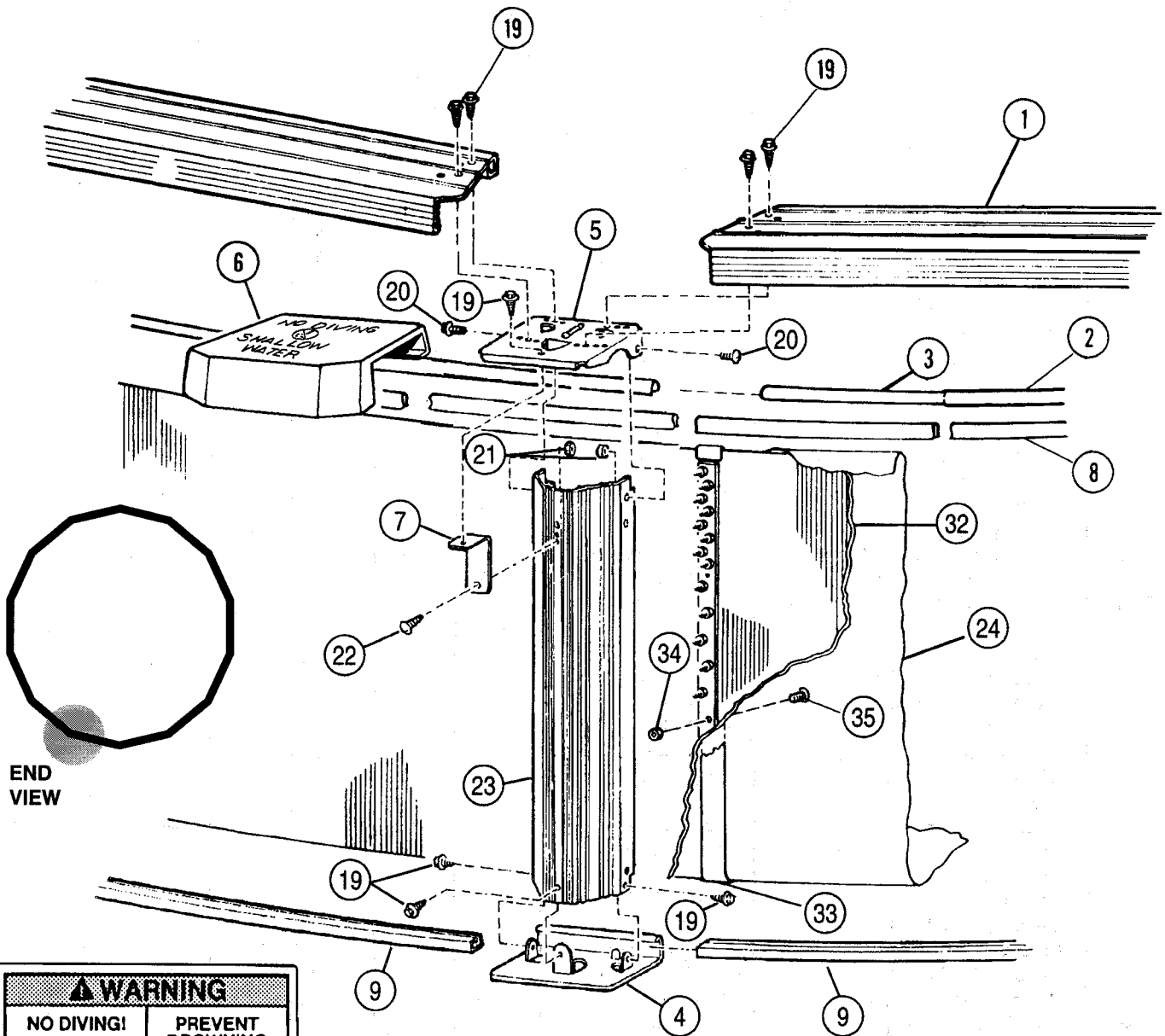
Lomart

Breezy Point / Cedar Hill — 6" Series

Round Pools

Parts List





Important! Above-ground pools are designed for swimming and wading only. **Do not Dive or Jump!** Misuse of your pool may result in crippling injury and/or other dangers to life and health. Do not use slides, diving boards, or any other platform or object which can be used for improper pool entry. Use only an above-ground swimming pool ladder to enter or exit your pool. It is the pool owner's responsibility to secure the pool against unauthorized, unsupervised or unintentional entry. It is also the pool owner's responsibility to warn all pool users of the hazards of diving into shallow water: paralyzing injury may result. Always obey all safety rules. Remember, pool safety is everybody's responsibility.

Change of Design: Lomart Industries expressly reserves the right to change or modify the design and construction of any product in due course of our manufacturing procedures, without incurring any obligation or liability to furnish or install such changes or modifications on products previously or subsequently sold.



LOMART INDUSTRIES
 10959 Jersey Blvd. • Rancho Cucamonga, CA 91730

LOMART PARTS LIST (ROUND)

			8' x 48"	12' x 48"	15' x 48"	18' x 48"	21' x 48"	24' x 48"	27' x 48"
ITEM	DESCRIPTION	PART NO.	QTY.	QTY.	QTY.	QTY.	QTY.	QTY.	QTY.
	STEEL PACK "A" CARTON	1-0848-901-504	1	—	—	—	—	—	—
	STEEL PACK "A" CARTON	1-1248-901-504	—	1	—	—	—	—	—
	STEEL PACK "A" CARTON	1-1548-901-504	—	—	1	—	—	—	—
	STEEL PACK "A" CARTON	1-1848-901-504	—	—	—	1	—	—	—
	STEEL PACK "A" CARTON	1-2148-901-504	—	—	—	—	1	—	—
	STEEL PACK "A" CARTON	1-2448-901-504	—	—	—	—	—	1	—
	STEEL PACK "A" CARTON	1-2748-901-504	—	—	—	—	—	—	1
1.	Top Rail	587-1102	—	10	12	14	—	—	—
	Top Rail	587-1119	—	—	—	—	15	17	19
	Top Rail	587-1316	10	—	—	—	—	—	—
2.	Stabilizer Rail (Large)	583-1011	—	6	8	9	—	—	—
	Stabilizer Rail	583-1004	—	—	—	—	10	11	12
	Stabilizer Rail	583-1059	6	—	—	—	—	—	—
3.	Stabilizer Rail (Small)	583-1012	—	6	8	9	—	—	—
	Stabilizer Rail	583-1005	—	—	—	—	10	11	12
	Stabilizer Rail	583-1060	6	—	—	—	—	—	—
4.	Bottom Connector	580-1343	10	10	12	14	15	17	19
5.	Vertical Top Cap	580-1907	10	10	12	14	15	17	19
6.	Top Connector	340-2170	10	10	12	14	15	17	19
7.	Vertical Tab	580-1460	10	10	12	14	15	17	19
8.	Coping	545-1001	15	21	26	31	35	40	45
9.	Bottom Rail	589-1133	—	10	—	—	—	—	—
	Bottom Rail	589-1156	—	—	12	—	—	—	—
	Bottom Rail	589-1136	—	—	—	14	—	—	—
	Bottom Rail	589-1145	—	—	—	—	15	—	—
	Bottom Rail	589-1146	—	—	—	—	—	17	—
	Bottom Rail	589-1147	—	—	—	—	—	—	19
	Bottom Rail	589-1199	10	—	—	—	—	—	—
10.	Book- "Read Me First"	573-2777	1	1	1	1	1	1	1
11.	Assembly Installation Instruction	573-2892	1	1	1	1	1	1	1
12.	Warranty Card	—	1	1	1	1	1	1	1
13.	Product Registration Card	565-1121	1	1	1	1	1	1	1
14.	Pool Parts List	573-2894	1	1	1	1	1	1	1
15.	Book- "Sensible Way..."	573-2743	1	1	1	1	1	1	1
16.	Book- "Safety First"	573-2778	1	1	1	1	1	1	1
17.	Brochure- "Children Aren't Waterproof"	573-2338	1	1	1	1	1	1	1
18.	Brochure- "Pool and Spa Emergency"	573-2393	1	1	1	1	1	1	1
19.	#10 x 3/8" Screw	510-1000	80	80	96	112	120	136	152
20.	1/4-20 X 1/2" Mach. Screw	330-1072	20	20	24	28	30	34	38
21.	1/4-20 Kep Nut	432-1000	20	20	24	28	30	34	38
22.	#14 X 1/2" Screw	330-1075	10	10	12	14	15	17	19
	VERTICAL PACK	1-1200-904-504	1	—	—	—	—	—	—
	VERTICAL PACK	1-1200-904-504	—	1	—	—	—	—	—
	VERTICAL PACK	1-1500-904-504	—	—	1	—	—	—	—
	VERTICAL PACK	1-1800-904-504	—	—	—	1	—	—	—
	VERTICAL PACK	1-2100-904-504	—	—	—	—	1	—	—
	VERTICAL PACK	1-2400-904-504	—	—	—	—	—	1	—
	VERTICAL PACK	1-2700-904-504	—	—	—	—	—	—	1
23.	Vertical	580-1951	10	10	12	14	15	17	19

LOMART PARTS LIST (ROUND) Continued

ITEM	DESCRIPTION	PART NO.	8' x 48"	12' x 48"	15' x 48"	18' x 48"	21' x 48"	24' x 48"	27' x 48"
			QTY.	QTY.	QTY.	QTY.	QTY.	QTY.	QTY.
VINYL LINER CARTON									
**24.	Liner 8' Diameter	1-0848-___	1	—	—	—	—	—	—
	Liner 12' Diameter	1-1248-___	—	1	—	—	—	—	—
	Liner 15' Diameter	1-1548-___	—	—	1	—	—	—	—
	Liner 18' Diameter	1-1848-___	—	—	—	1	—	—	—
	Liner 21' Diameter	1-2148-___	—	—	—	—	1	—	—
	Liner 24' Diameter	1-2448-___	—	—	—	—	—	1	—
	Liner 27' Diameter	1-2748-___	—	—	—	—	—	—	1
25.	Chlorine/Winterizing Instructions	573-2421	1	1	1	1	1	1	1
26.	Warranty Card	—	1	1	1	1	1	1	1
*27.	Repair Patch	564-1000	1	1	1	1	1	3	3
28.	Warning Decal	560-1041	3	3	3	3	3	3	3
29.	Decal — Shallow-3 1/2 Ft.	560-1043	3	3	3	3	3	1	1
30.	Book — "Read Me First"	573-2777	1	1	1	1	1	2	2
***31.	Deeper Area Decal	560-1042	—	2	2	2	2	2	2
SIDEWALL CARTON									
32.	Cedar Hill - (8' x 48")	1-0848-906-023	1	—	—	—	—	—	—
	Breezy Point - (8' x 48")	1-0848-906-027	1	—	—	—	—	—	—
	Cedar Hill - (12' x 48")	1-1248-906-023	—	1	—	—	—	—	—
	Breezy Point - (12' x 48")	1-1248-906-027	—	1	—	—	—	—	—
	Cedar Hill - (15' x 48")	1-1548-906-023	—	—	1	—	—	—	—
	Breezy Point - (15' x 48")	1-1548-906-027	—	—	1	—	—	—	—
	Cedar Hill - (18' x 48")	1-1848-906-023	—	—	—	1	—	—	—
	Breezy Point - (18' x 48")	1-1848-906-027	—	—	—	1	—	—	—
	Cedar Hill - (21' x 48")	1-2148-906-023	—	—	—	—	1	—	—
	Breezy Point - (21' x 48")	1-2148-906-027	—	—	—	—	1	—	—
	Cedar Hill - (24' x 48")	1-2448-906-023	—	—	—	—	—	1	—
	Breezy Point - (24' x 48")	1-2448-906-027	—	—	—	—	—	1	—
	Cedar Hill - (27' x 48")	1-2748-906-023	—	—	—	—	—	—	1
	Breezy Point - (27' x 48")	1-2748-906-027	—	—	—	—	—	—	1
33.	Wall Protective Strip	535-1442	1	1	1	1	1	1	1
34.	1/4" x 20 Hex Nut	511-1000	23	23	23	23	23	23	23
35.	1/4" - 20 x 1" Slotted Screw	330-1151	23	23	23	23	23	23	23
36.	Warning Sign	560-1055	1	1	1	1	1	1	1
37.	Book - "Read Me First"	573-2777	1	1	1	1	1	1	1
38.	Adhesive Square	310-1034	6	6	6	6	6	6	6
39.	Safety Video	573-2507	1	1	1	1	1	1	1

*For Additional Patch Kits, order part number 1-2002-006.

**Write the number of your liner in the spaces provided here and above. # _____

***Supplied only with variable depth liners.